

# **Spare Parts Manual**

**for**

**Typ F45**

**Typ F45 ELMO**

**Typ F45 POSIT....**

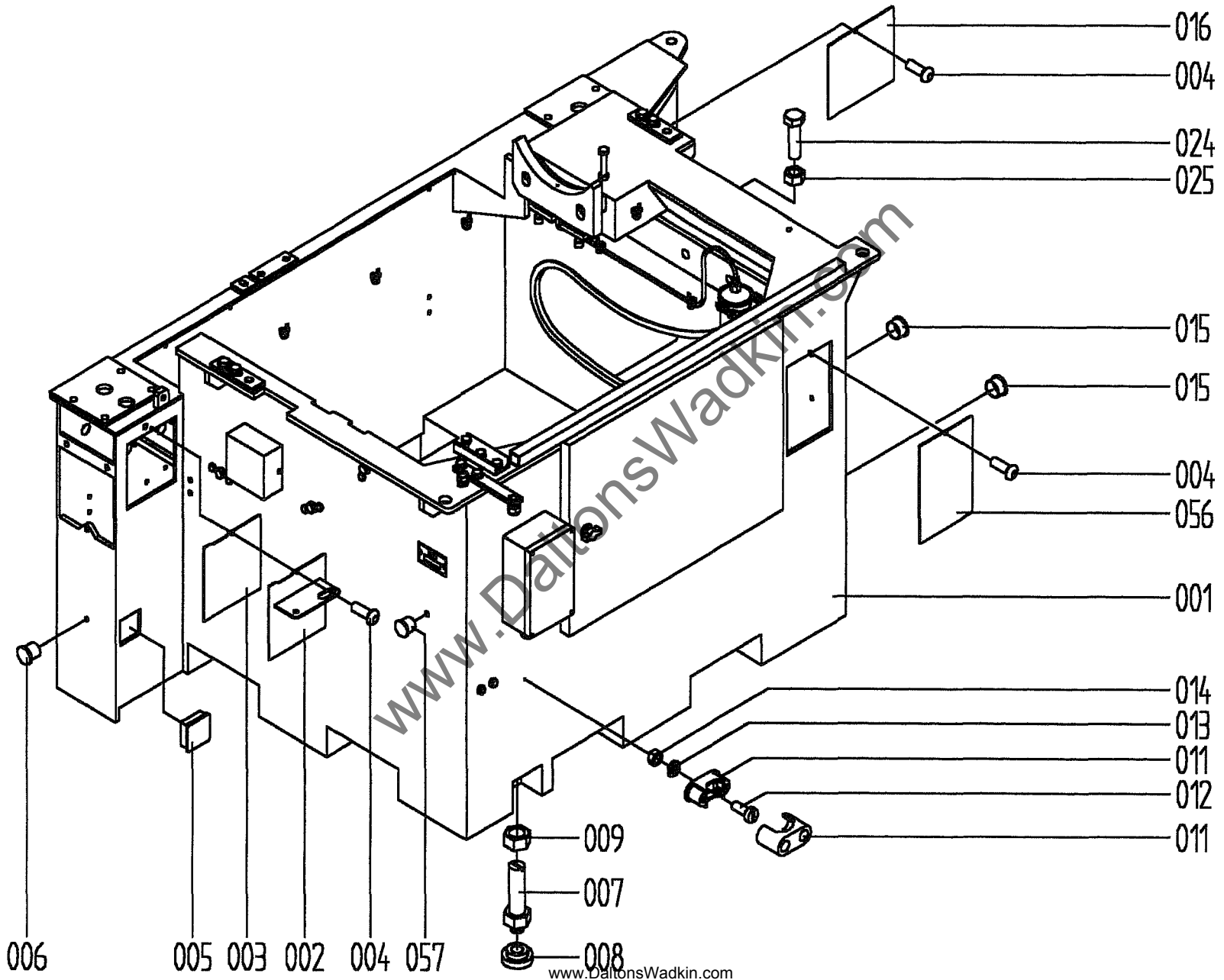
**Typ F90**

**Typ F90 POSIT....**

**Version: 1.00 / 93**

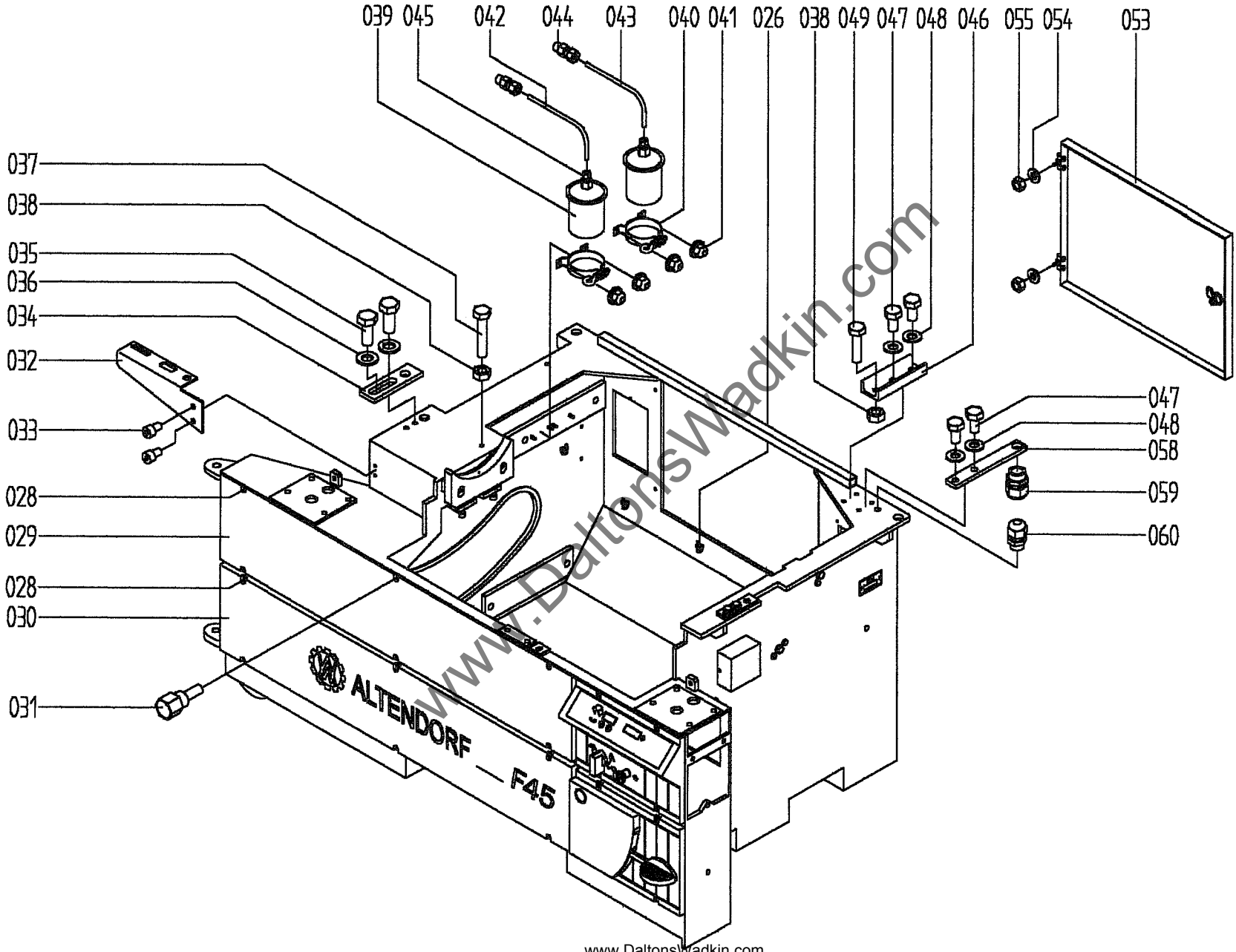
**Wilhelm Altendorf GmbH + Co. KG Maschinenbau**

<b>Table of contents</b>	<b>Page</b>
1. Machine frame	03
1.1 Type F45	03
1.2 Type F45 ELMO/POSIT	06
1.3 Type F90	09
1.4 Switch cabinet	12
1.5 Cutting angle measurement	17
1.6 Terminal boxes	18
1.7 Roller unit	22
2. Chip channel	23
3. Saw blade adjustment (main saw)	25
3.1 Hydraulic adjustment	25
3.2 Electrical adjustment	30
3.3 Manual adjustment F90	34
4. Main saw unit	36
5. Scoring unit	41
5.1 Type 45	41
5.2 Type 90	42
6. Swinging arm	44
7. Sliding table	49
8. Clamping shoe	55
9. Mitre fence	56
10. Cross slide	57
11. Cross cut fence/DIGITL	59
12. Machine table	66
13. Rip fence/DIGITX/POSITX	75
14. Duplex mitre fence	83
15. LASER	88
16. BOLT	89
17. Extension arm	90
17.1 Standard extension arm	90
17.2 ELMO extension arm	94
17.3 POSIT overhead	98



1. Machine frame  
1.1 Type F45

Spare parts list 070  
Version 1.00/93  
Page 1

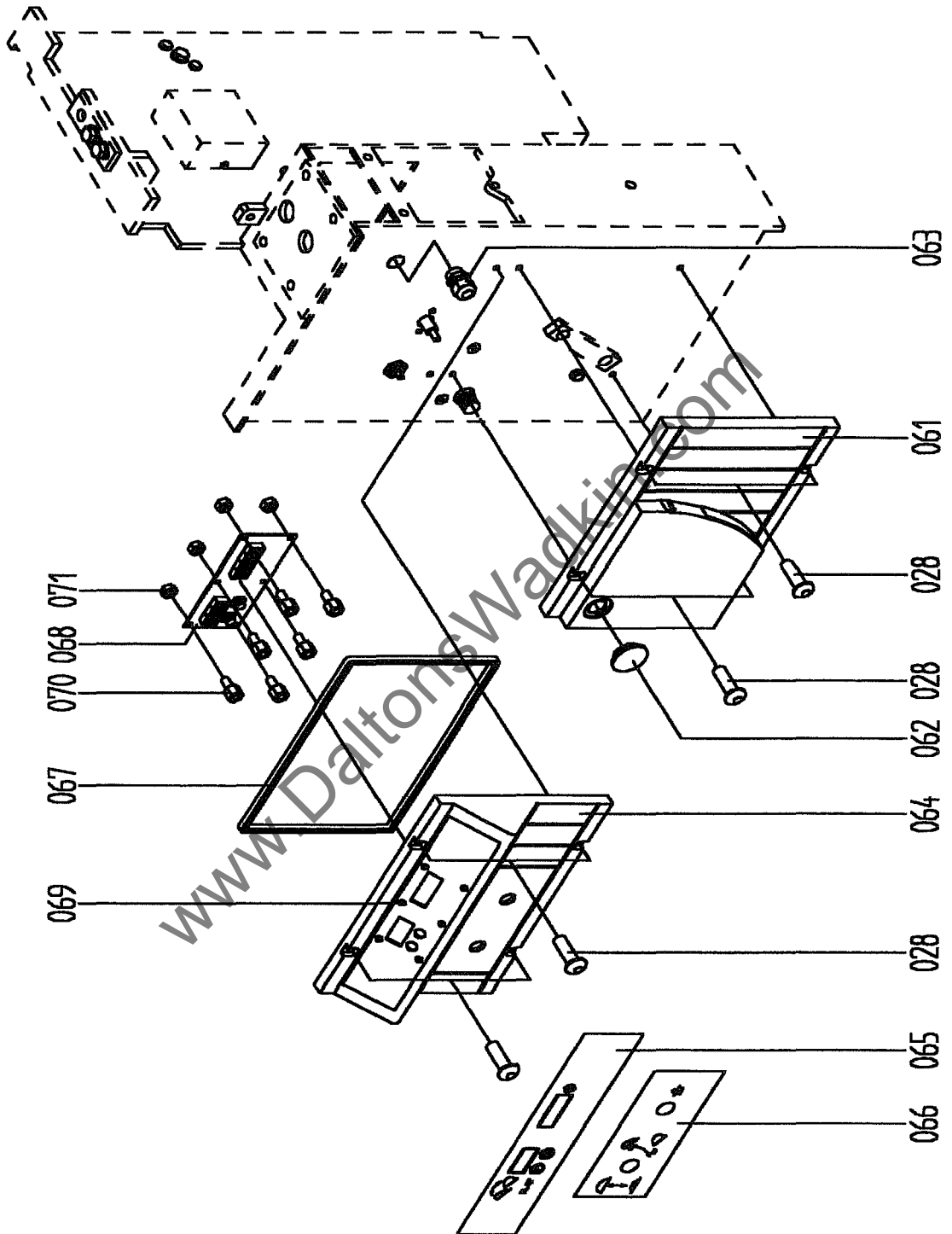


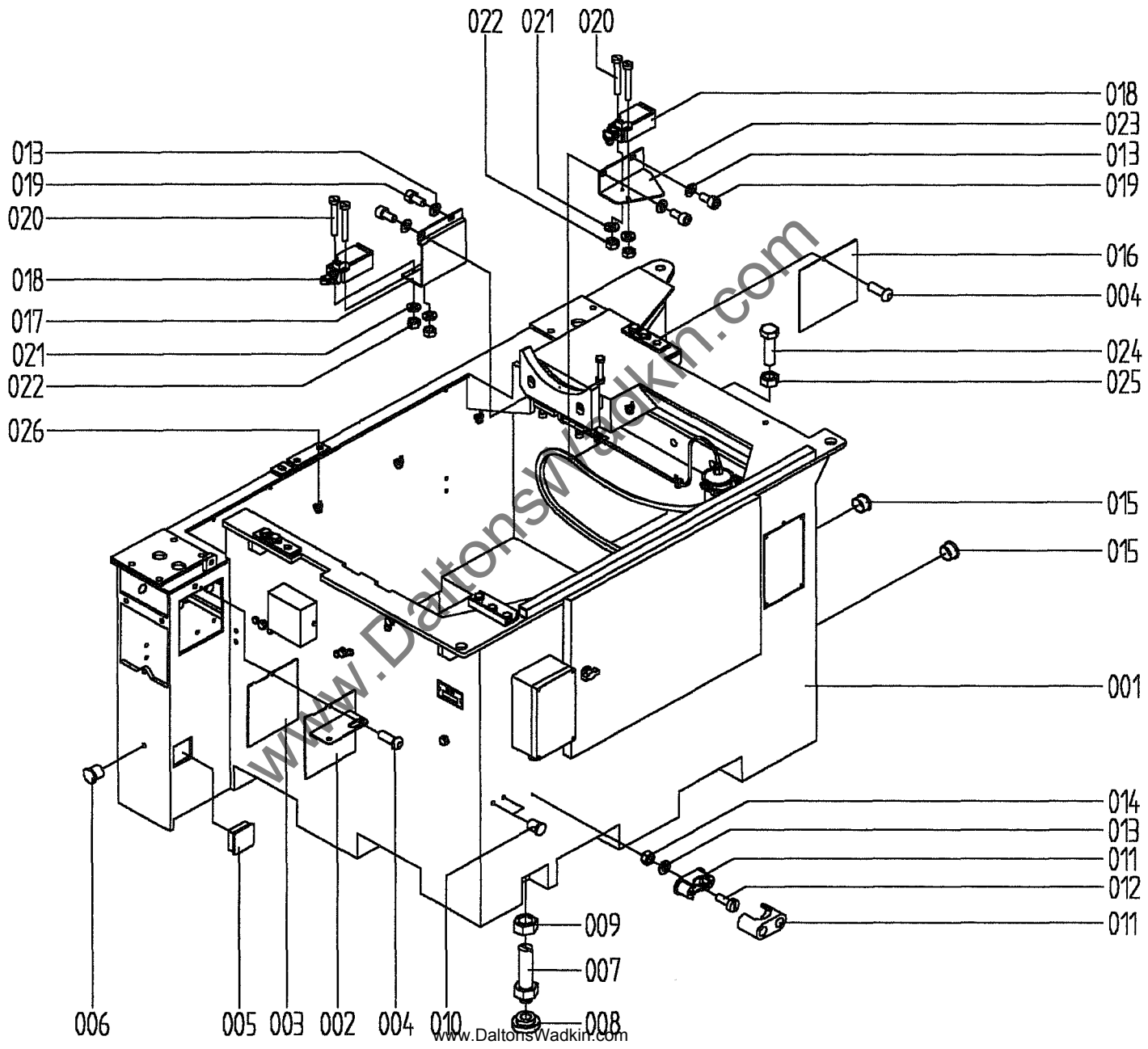
**1. Machine frame**  
**1.1 Type F45**

**Spare parts list 070**  
**Version 1.00/93**  
**Page 2**

1. Machine frame  
1.1 Type F45

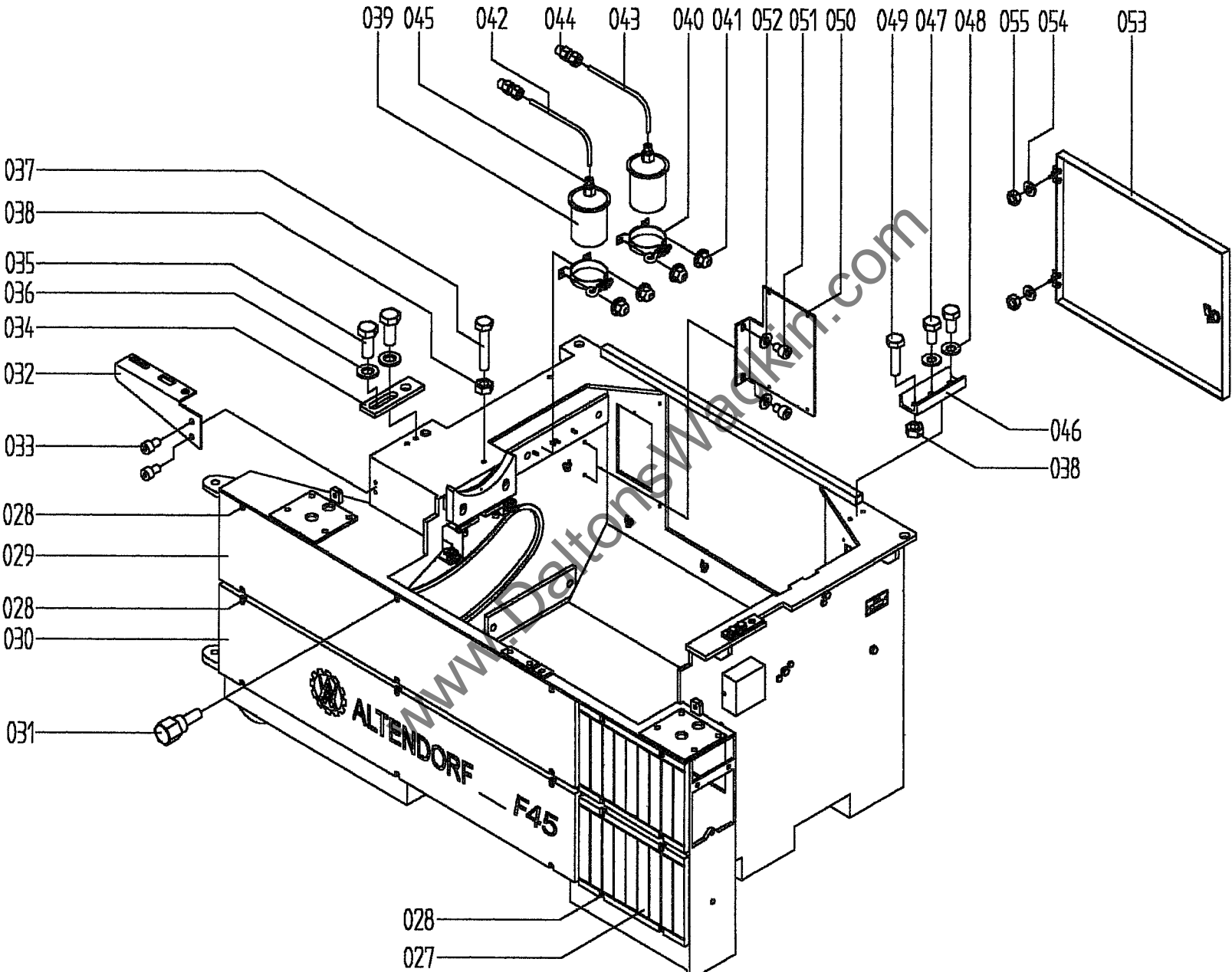
Spare parts list 070  
Version 1.00/93  
Page 3





1. Machine frame  
 1.1 Type F45 ELMO/POSIT

Spare parts list 070  
 Version 1.00/93  
 Page 1



1. Machine frame  
 1.1 Type F45 ELMO/POSIT

Spare parts list 070  
 Version 1.00/93  
 Page 2

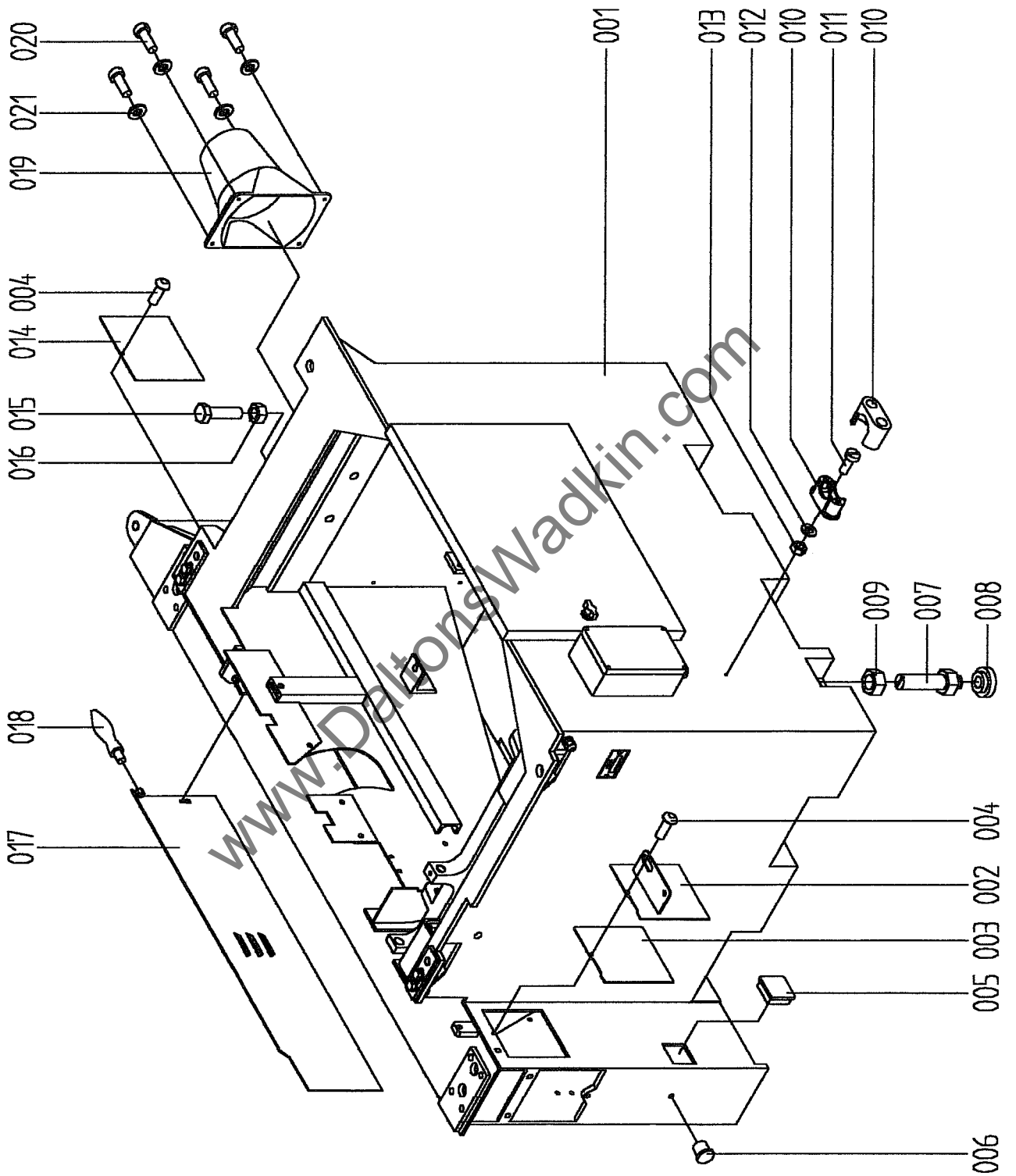
**1. Machine frame type 45****Spare parts list 070  
Version 1.00/93**

<b>Pos.</b>	<b>Article No.</b>	<b>Designation</b>	<b>Pos.</b>	<b>Article No.</b>	<b>Designation</b>
001	B9307.0050	machine frame	054	K3200.0060	tooth lock washer A6.4
002	F9307.1031	cover plate (w.scoring unit)	055	K3200.0018	hexagonal nut M6
003	F9307.1120	cover plate (without scoring unit)	056	F9307.1040	cover plate (only standard)
004	K3100.0137	oval head screw M6x16	057	K3700.0050	cover
005	K3700.0051	square plug 60x60	058	F9303.0630	flat-bar steel
006	K3700.0047	cover	059	K6450.0008	cable screw connection PG11
007	B9307.0100	spindle	060	K6450.0001	cable screw connection PG9
008	K3200.0069	pressure piece	061	F9300.0530	panels HYSM
009	K3200.0053	hexagonal nut M20	062	F9300.0570	blind plug
010	K3700.0048	cover	063	K6450.0002	cable screw connection PG16
011	K6540.0008	clip	064	F9300.0510	panel A/B with hydraulics
012	K3100.0145	cheese head screw M5x20	065	F9304.0660	foil 1
013	K3200.0015	washer A5.3	066	F9304.0680	foil 2
014	K3200.0003	hexagonal nut M5	067	F9300.0560	seal
015	K3700.0049	cover (only for ELMO)	068	K6720.0007	combination display unit
016	F9307.1020	cover plate	069	K3100.0143	countersunk screw M4x6
017	F9307.1061	support bracket	070	K6540.0006	spacer bolt
018	K6330.0003	limit switch	071	K3200.0030	hexagonal nut M4
019	K3100.0004	cheese head screw M5x10			
020	K3100.0196	cheese head screw M4x35			
021	K3200.0070	tooth lock washer A4.3			
022	K3200.0030	hexagonal nut M4			
023	F9307.1051	support bracket			
024	K3100.0125	hexagon cap screw M12x45			
025	K3200.0060	hexagonal nut M12			
026	K6540.0009	cable clip			
027	F9300.0540	empty panel			
028	K3100.0158	oval head screw M8x20			
029	F9300.0620	panel			
030	F9300.0621	panel with name F45			
031	B9300.0630	magnetic bolt			
032	F9307.1081	tool holder			
033	K3100.0047	cheese head screw M8x12			
034	F9307.0850	flat iron for machine table			
035	K3100.0013	hexagon cap screw M12x30			
036	K3200.0007	washer A13			
037	K3100.0197	hexagon cap screw M10x100			
038	K3200.0009	hexagonal nut M10			
039	K3800.0002	lubricator oil/24 months			
040	K3800.0003	holder for lubricator			
041	K3200.0071	clip nut			
042	F9307.1082	hose 1			
043	F9307.1083	hose 2			
044	K3900.0022	screw-in connection			
045	K3900.0023	screw connection			
046	F9307.0840	U-profile			
047	K3100.0046	hexagon cap screw M10x20			
048	K3200.0002	washer A10.5			
049	K3100.0147	hexagon cap screw M10x40			
050	F9304.0760	metal sheet for interface housing			
051	K3100.0037	cheese head screw W8x10			
052	K3200.0005	washer A8.4			
053	B9307.0070	machine door			



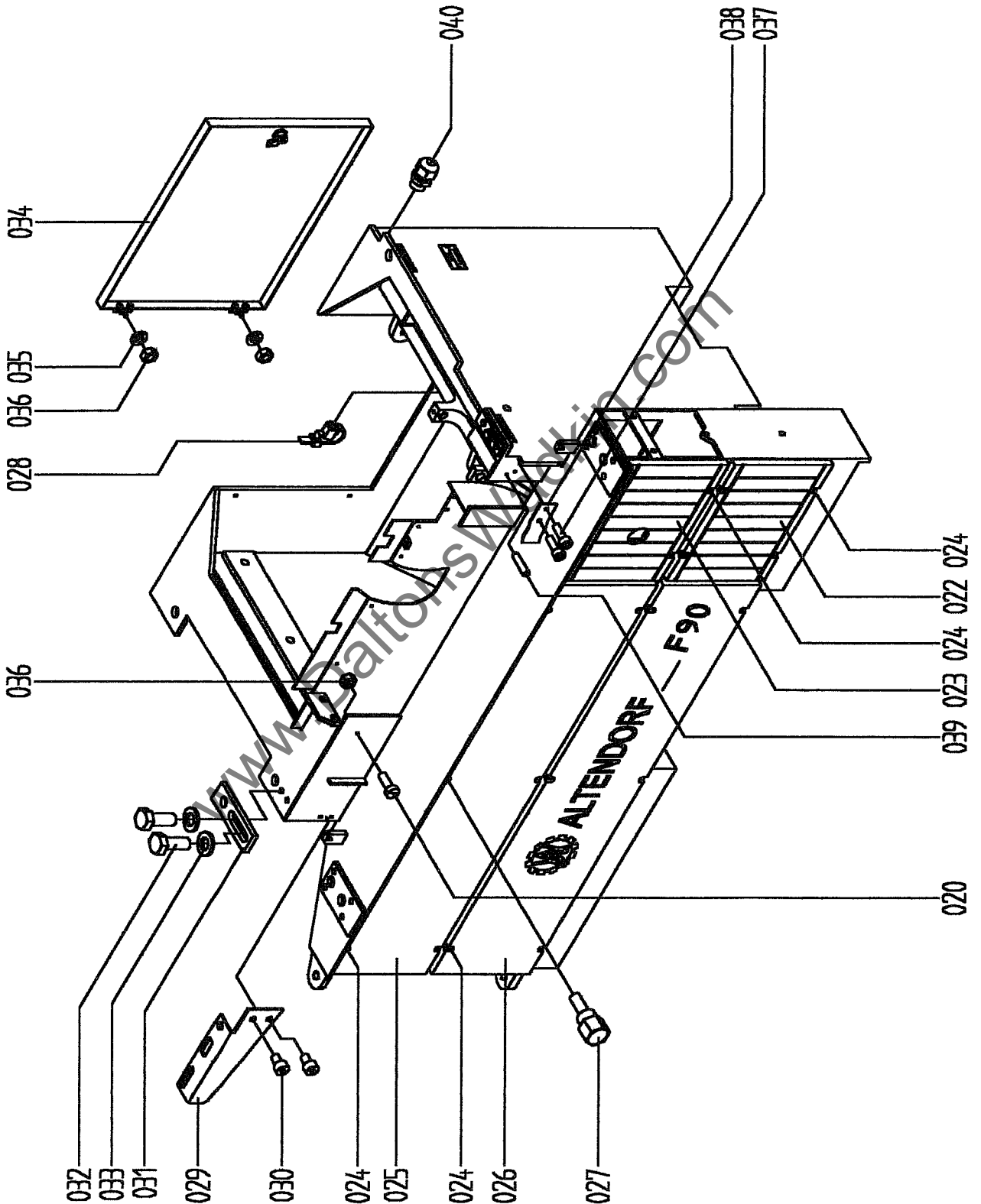
1. Machine frame  
1.3 Type F90

Spare parts list 075  
Version 1.00/93  
Page 1



1. Machine frame  
1.3 Type F90

Spare parts list 075  
Version 1.00/93  
Page 2



### 1.3 Machine frame type 90

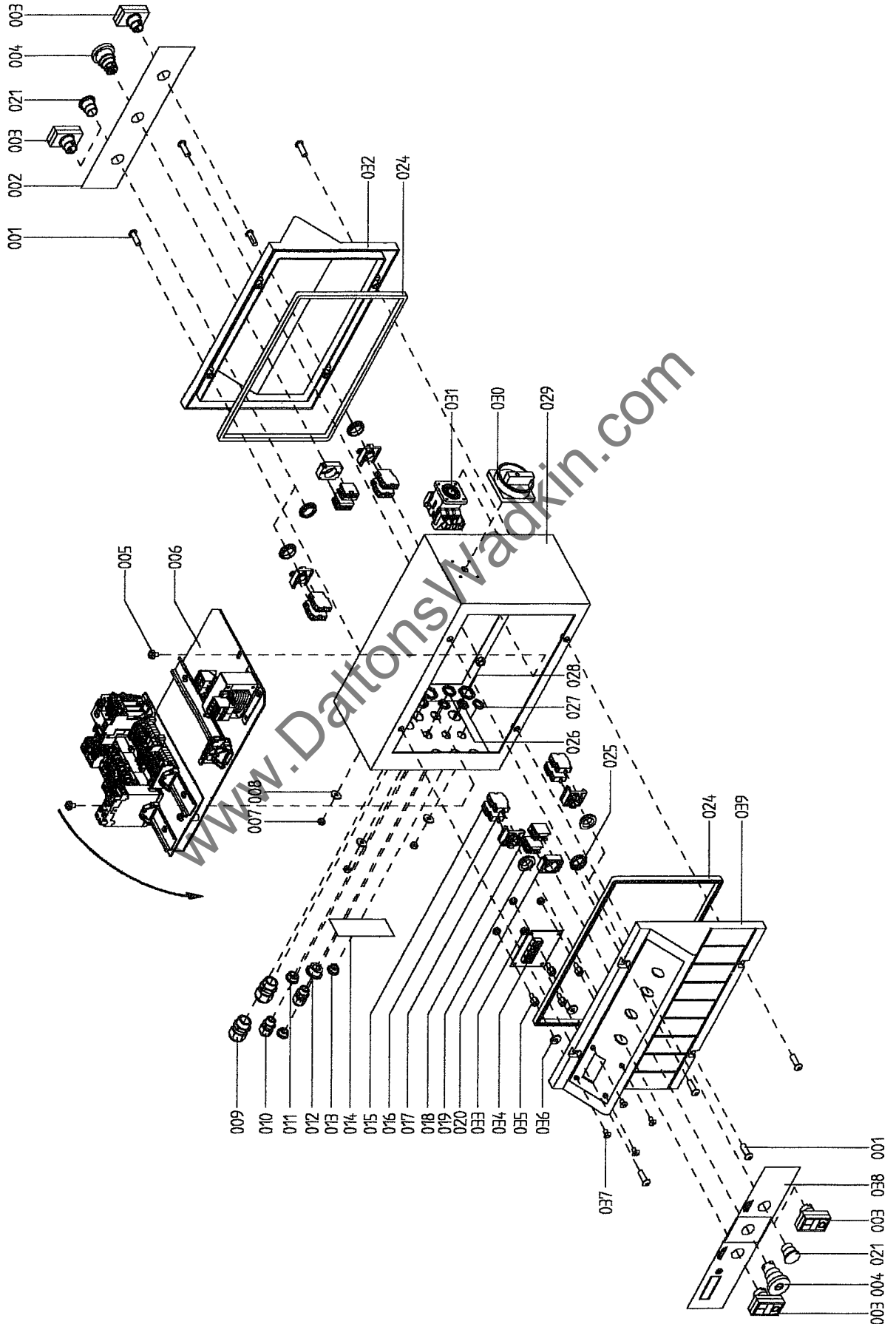
Spare parts list 075  
Version 1.00/93

Pos.	Article No.	Designation
001	B9307.0050	machine frame
002	F9307.1031	cover plate (w.scoring unit)
003	F9307.1120	cover plate (without scoring unit)
004	K3100.0137	oval head screw M6x16
005	K3700.0037	square plug 60x60
006	K3700.0047	cover
007	B9307.0100	spindle
008	K3200.0069	pressure piece
009	K3200.0053	hexagonal nut M20
010	K6540.0008	clip
011	K3100.0145	cheese head screw M5x20
012	K3200.0015	washer A5.3
013	K3200.0003	hexagonal nut M5
014	F9307.1020	cover plate
015	K3100.0125	hexagon cap screw M12x45
016	K3200.0060	hexagonal nut M12
017	B9311.0100	cover plate
018	F9311.1003	ball handle
019	F9311.1002	chip socket
020	K3100.0206	cheese head screw M6x16
021	K3200.0044	washer A6.4
022	F9300.0540	empty panel
023	F9300.0541	empty panel for handwheel
024	K3100.0158	oval head screw M8x20
025	F9300.0620	panels
026	F9300.0622	panel with name F90
027	B9300.0630	magnetic bolt
028	K6450.0009	cable clip
029	F9307.1081	tool holder
030	K3100.0047	cheese head screw M8x12
031	F9307.0850	flat iron
032	K3100.0013	hexagon cap screw M12x30
033	K3200.0007	washer A13
034	B9307.0070	machine door
035	K3200.0060	tooth lock washer A6.4
036	K3200.0018	hexagonal nut M6
037	K3100.0004	cheese head screw M5x10
038	F9311.1001	clamping plate
039	K3100.0070	dowel pin 5x20
040	K6450.0001	cable screw connection PG9



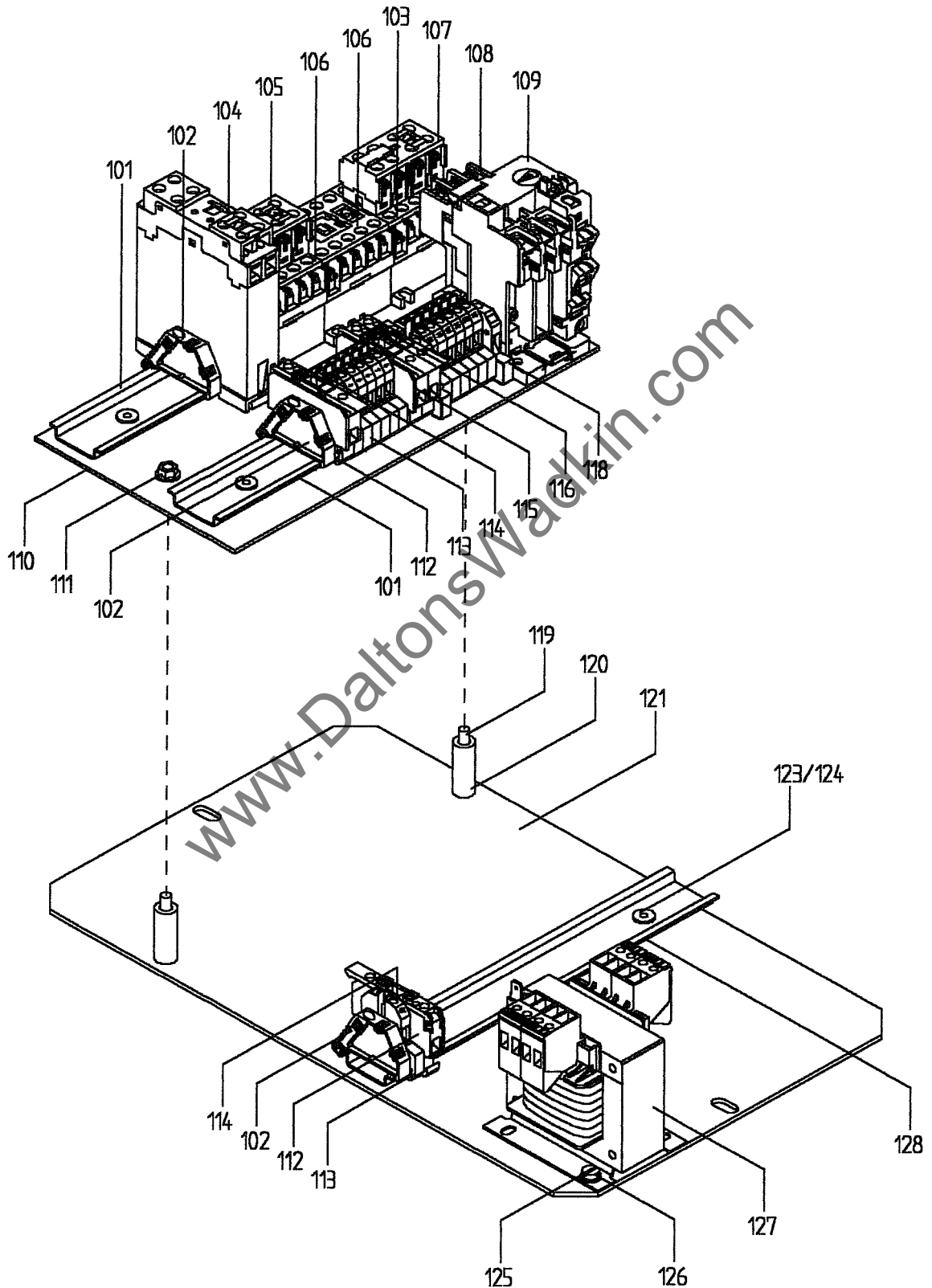
**1.4 Switch cabinet**  
**1.4.2 Switch cabinet F90 4-7.5 kW/400V**

**Spare parts list 057**  
**Version 1.00/93**



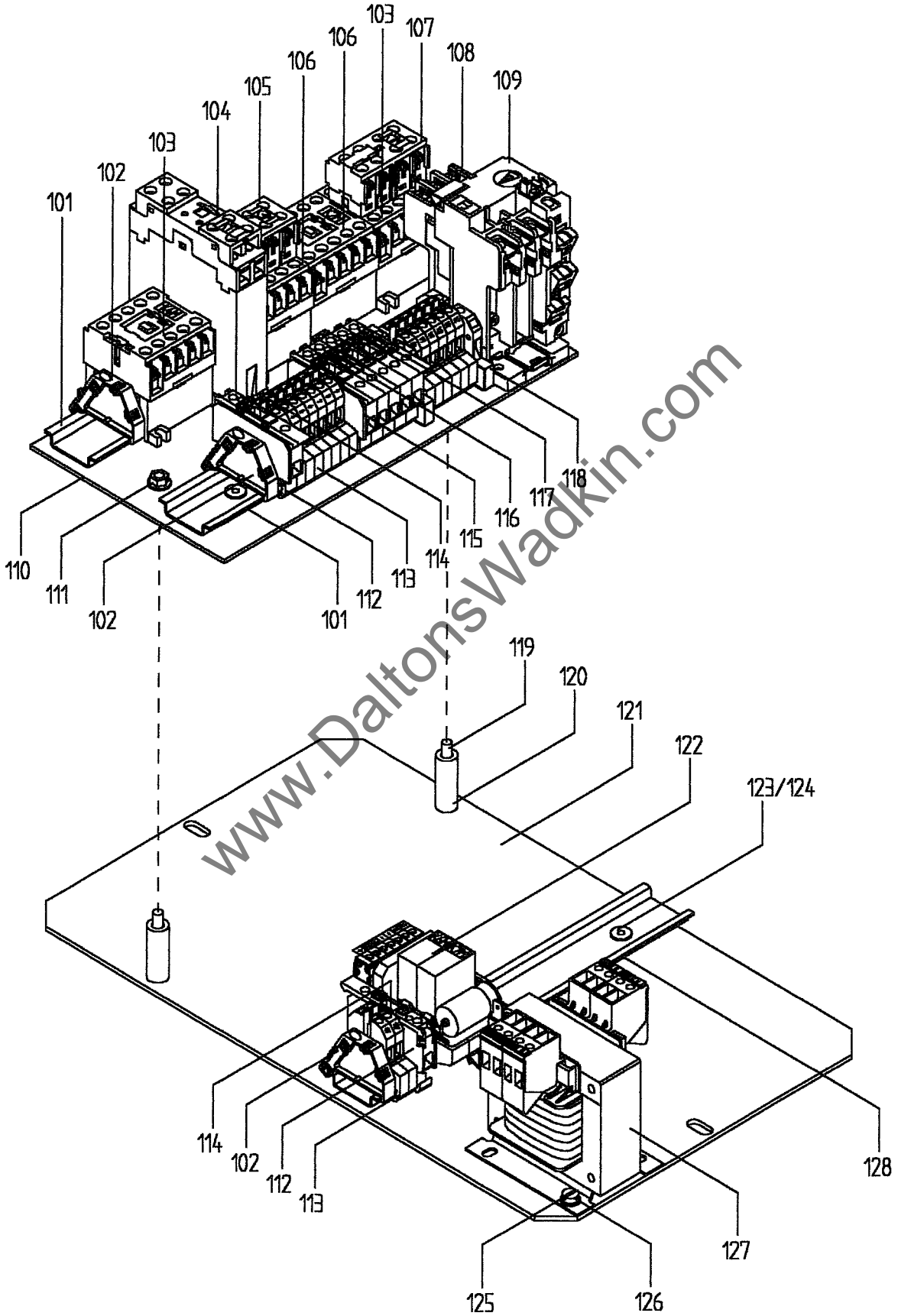
**1.4**      **Switch cabinet**  
**1.4.3**    **Contactors equipment without**  
              **scoring unit 4-7.5kW/400V**

**Spare parts list 057**  
**Version 1.00/93**



**1.4 Switch cabinet**  
**1.4.4 Contactor equipment with scoring unit 4-7.5kW/400V**

**Spare parts list 057**  
**Version 1.00/93**



## 1.4 Switch cabinet

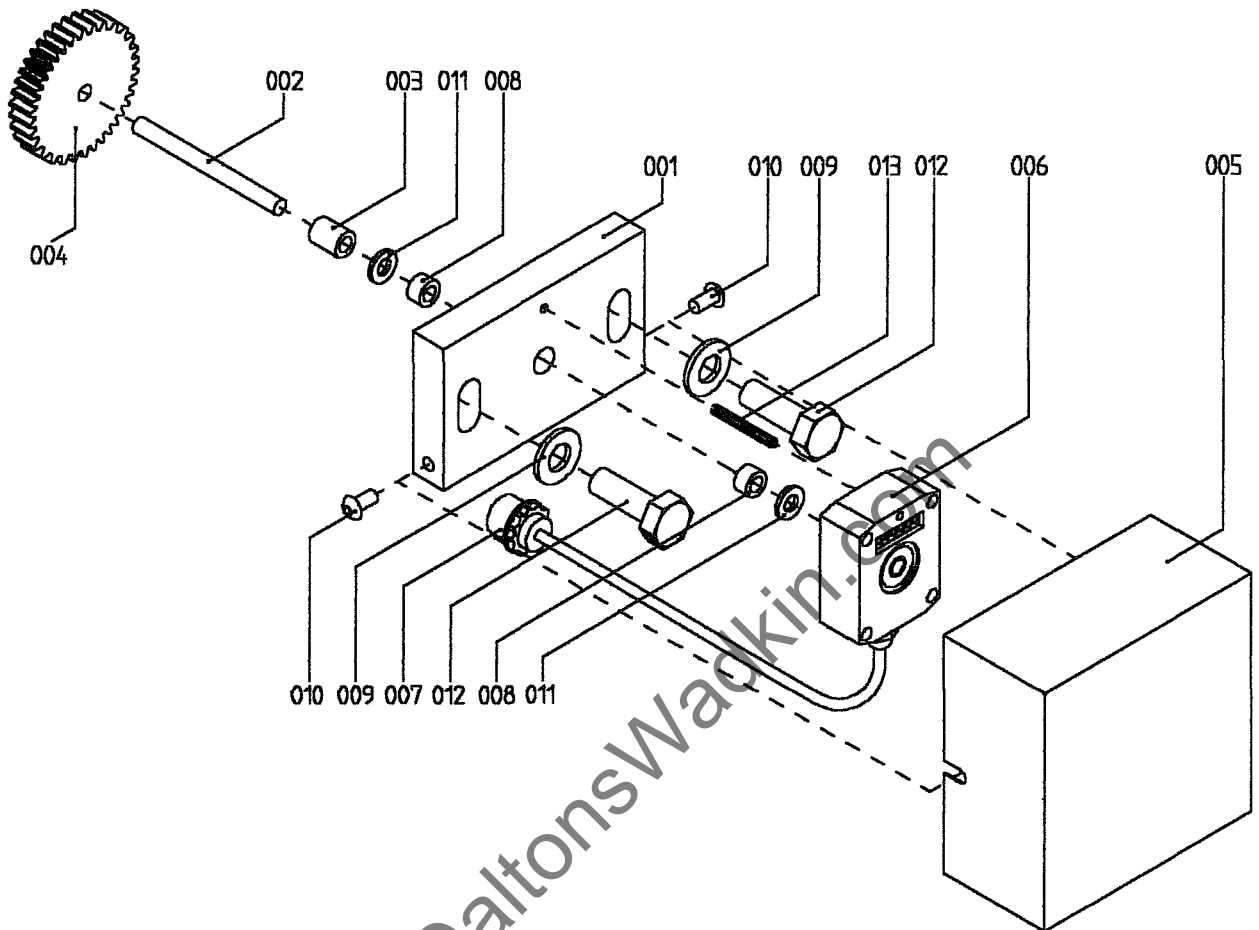
Spare parts list 057  
Version 1.00/93

Pos.	Article No.	Designation	Pos.	Article No.	Designation
001	K3100.0158	oval head screw M8x20	101	F9331.0521	support rail
002	F9304.0550	foil/panel A1	102	K6420.0001	end support
003	K6320.0005	twin push button	103	K6210.0001	contactor
004	K6320.0013	EMERGENCY STOP button	104	K6220.0001	star-delta time relay
005	K3100.0159	locking screw M6x10	105	K6210.0003	auxiliary contact block
006	B9331.0210	contactor controls with scoring unit	106	K6210.0004	contactor
006	B9331.0220	contactor controls without scoring unit	107	K6210.0005	auxiliary contact block
007	K3200.0018	hexagonal nut M6	108	K6210.0002	thermal relay holder
008	K3200.0058	washer A6.4	109	K6210.0006	thermal relay for 4 kW
009	K6450.0002	cable screw connection PG16	109	K6210.0007	thermal relay f. 5.5/7.5 kW
010	K6450.0001	cable screw connection PG9	110	F9304.0910	mounting plate
011	K6450.0008	cable screw connection PG11	111	K3200.0059	flange nut M5
012	K6450.0009	reduction piece PG16-PG9	112	K6420.0019	fuse terminal
013	K6450.0010	blind plug PG9	113	K6420.0006	series terminal block
014	F9304.1000	self-adhesive foil	114	K6240.0001	fuse M2.5A (F7-F8)
015	K6320.0008	contact element EK01	115	K6420.0020	end plate
016	K6320.0009	contact element EK10	116	K6240.0002	fuse M1A (F1-F2)
017	K6320.0007	fastening adapter	117	K6240.0003	fuse M10A (F4-F6)
018	K6320.0014	auxiliary switch block	118	K6420.0005	protective earth terminal block
019	K6320.0006	nut	119	K3100.0160	cheese head screw M5x40
020	K6320.0003	base	120	F9205.0520	spacer sleeve
021	K6320.0002	toggle switch	121	F9304.0510	mounting plate
022	F9304.0540	foil/panel A	122	B9360.0001	scoring unit height adjustment
023	F9300.0520	panel A/B	123	K3100.0055	countersunk screw M5x16
024	F9300.0560	seal	124	K3200.0036	hexagonal nut M8
025	K6230.0004	auxiliary switch block	125	K3200.0060	tooth lock washer A6.3
026	K6450.0010	hexagonal nut PG11	126	K3100.0088	cheese head screw M5x8
027	K6450.0004	hexagonal nut PG9	127	K6110.0001	control transformer 63VA
028	K6450.0003	hexagonal nut PG16	128	F9331.0520	mounting rail
029	B9304.0050	switch box			
030	K6310.0001	drive for main switch			
031	K6310.0002	main switch			
032	F9300.0590	panel A/B			
033	K6320.0017	blind lock			
034	K6720.0010	speed display unit			
035	K6540.0006	spacer bolt M4			
036	K3200.0073	washer B4.3			
037	K3100.0209	countersunk screw M4x6			
038	F9304.0560	foil F90			
039	F9300.0600	panel A/B F90			



## 1.5 Cutting angle measurement

Spare parts list 050  
Version 1.00/93

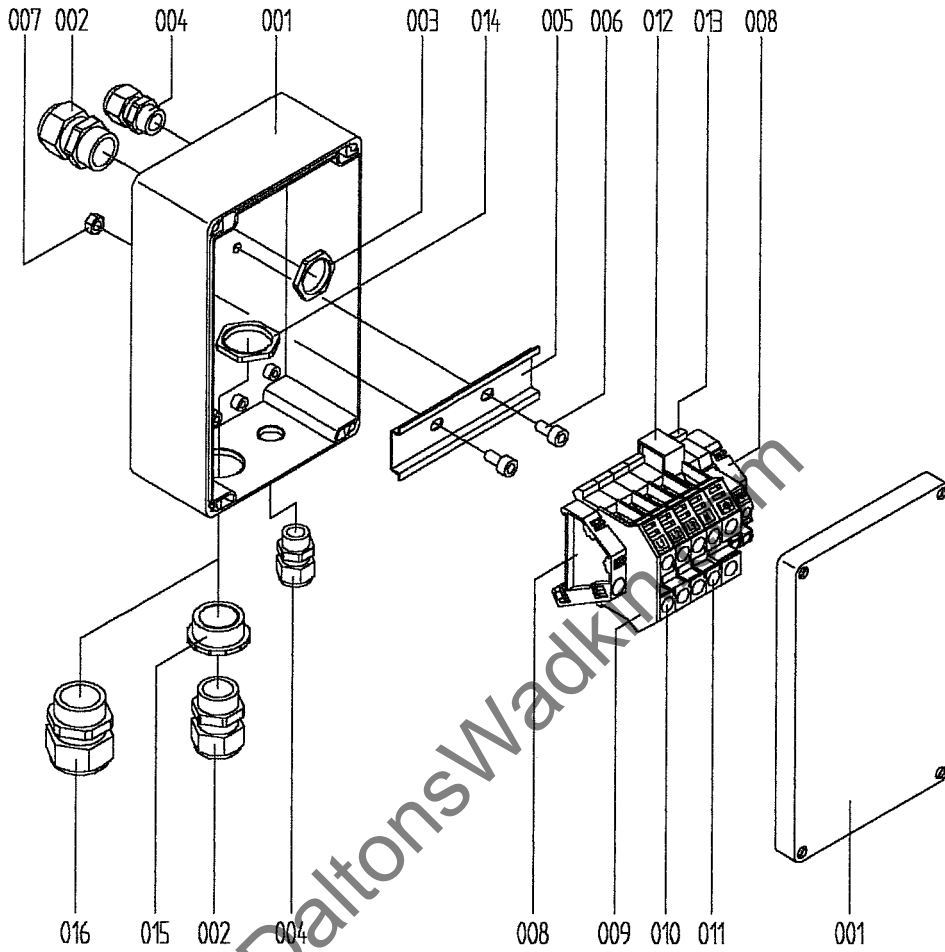


Pos.	Article No.	Designation
001	F9312.0510	base plate
002	F9312.0520	shaft for shaft encoder
003	F9312.0540	bush for shaft encoder
004	F9103.0541	gear wheel for shaft encoder
005	F9312.0530	cover hood
006	K6730.0001	shaft encoder
007	K6450.0001	cable screw connection PG9
008	K3300.0001	bush
009	K3200.0002	washer A10.5
010	K3100.0002	oval head screw M5x10
011	K3200.0001	washer A6.4
012	K3100.0001	hexagon cap screw M10x30
013	K3100.0003	clamping pin 3x28

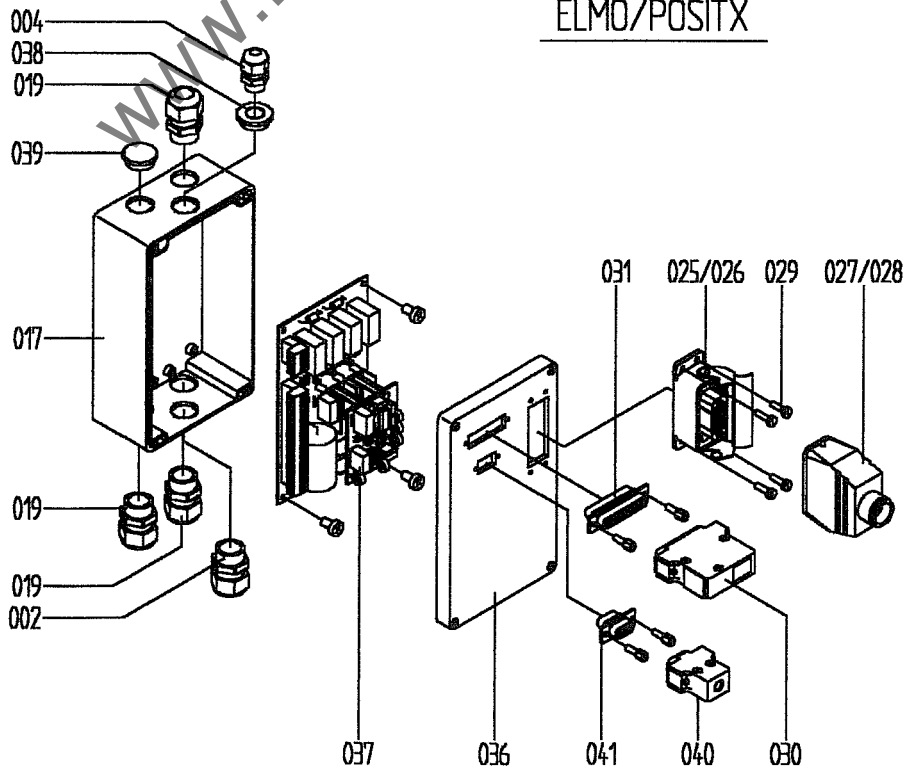
1.6  
1.6.1

Terminal boxes  
Mains terminal box

Spare parts list 051  
Version 1.00/93

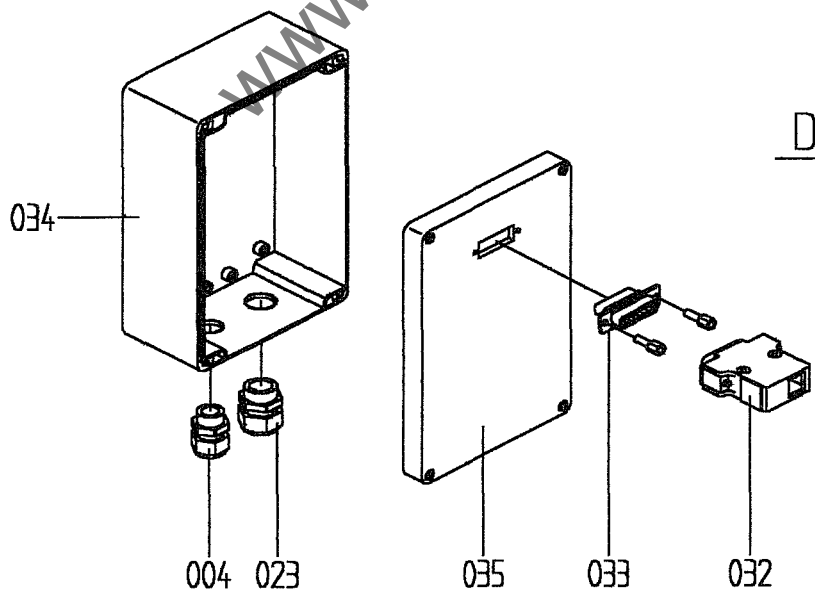
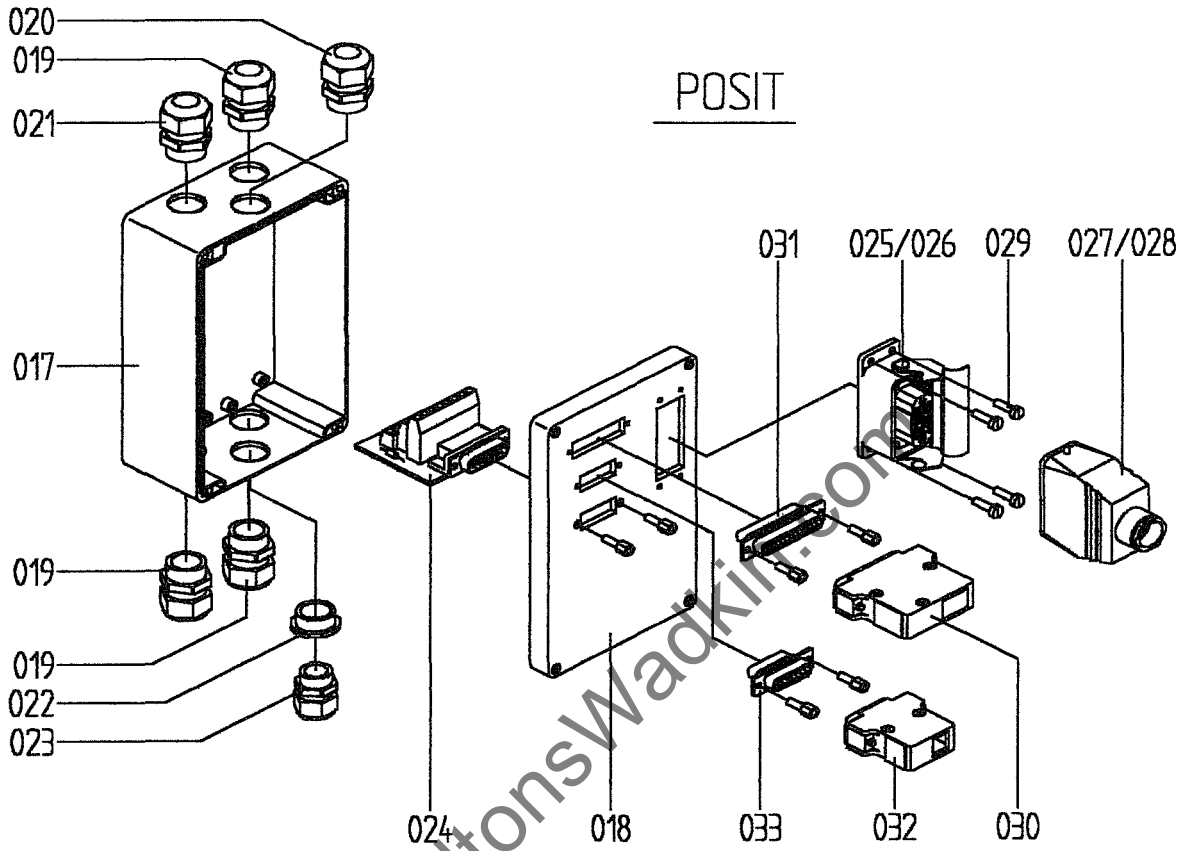


ELMO/POSITX



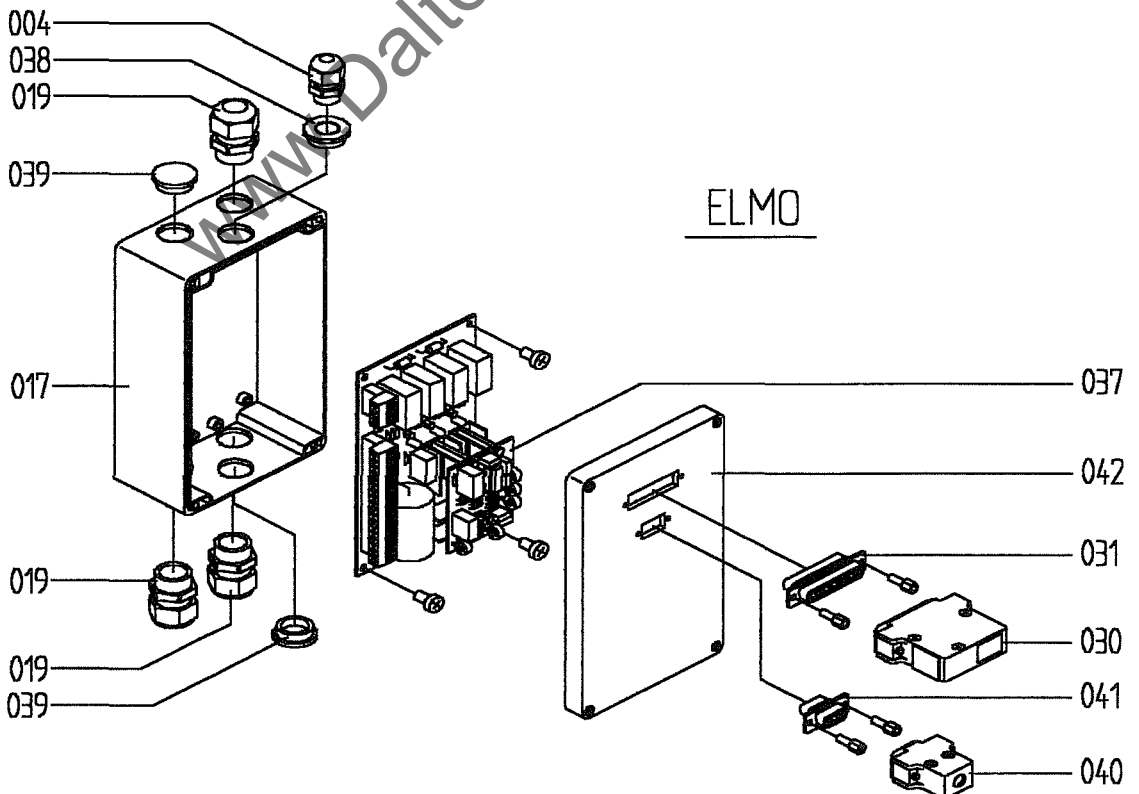
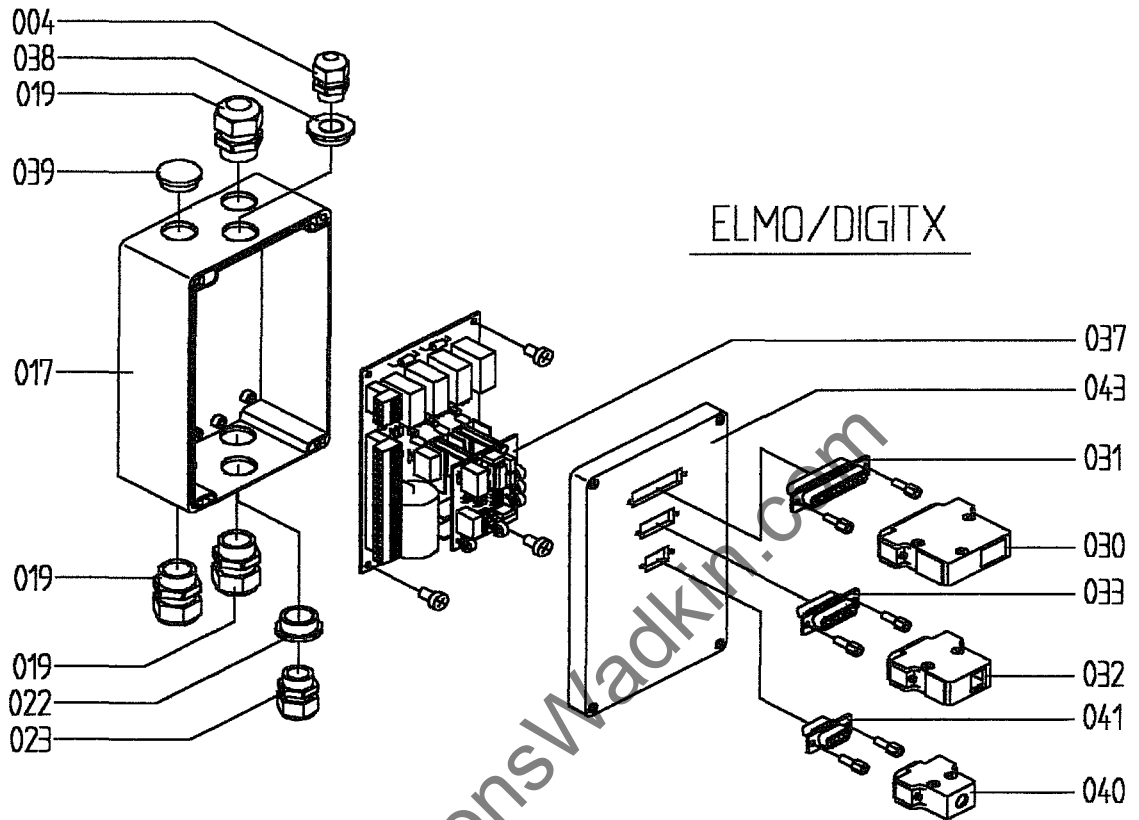
**1.6 Terminal boxes**  
**1.6.2 Interface housing**

**Spare parts list 051**  
**Version 1.00/93**  
**Page 1**



**1.6 Terminal boxes**  
**1.6.2 Interface housing**

**Spare parts list 051**  
**Version 1.00/93**  
**Page 2**



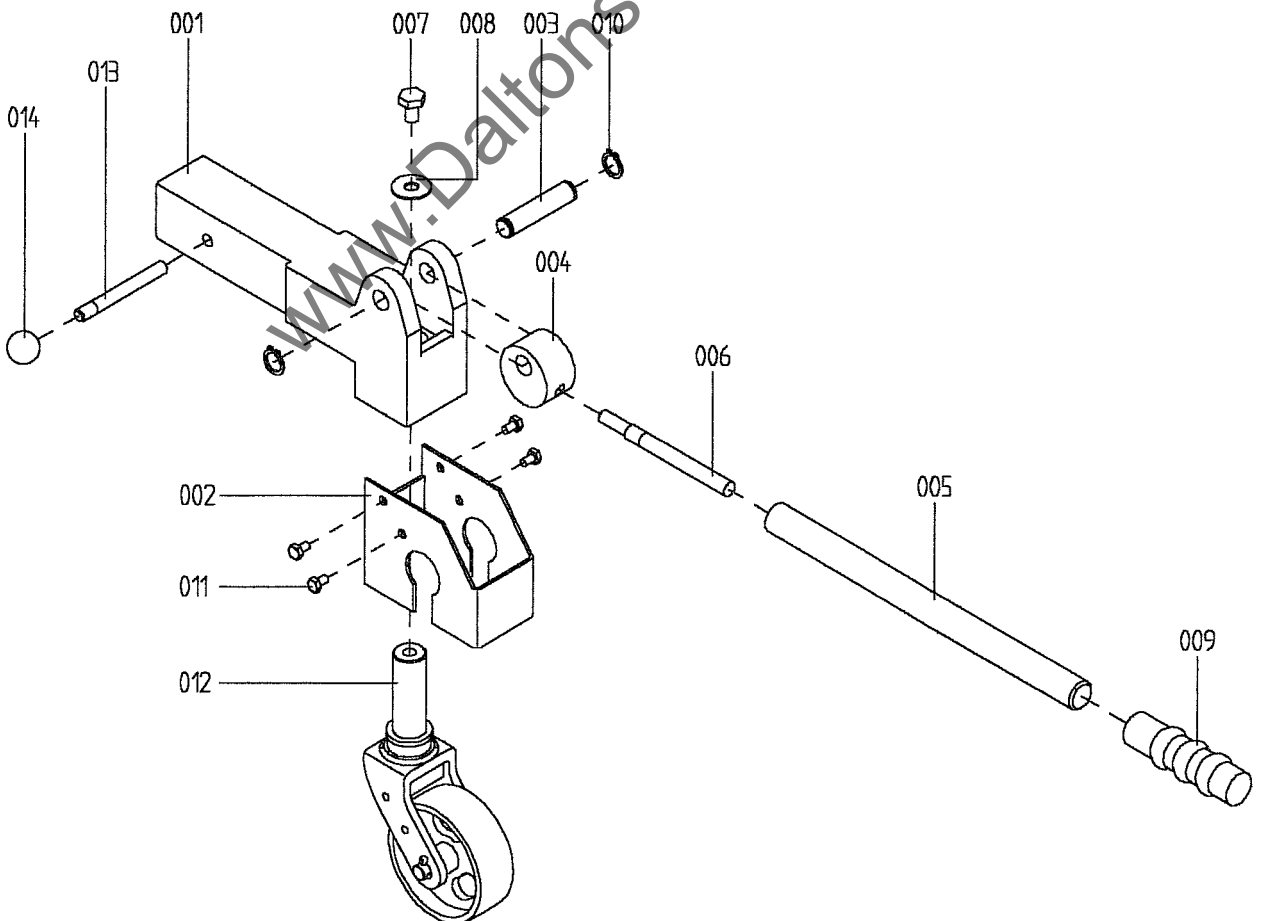
**1.6 Terminal boxes****Spare parts list 051****Version 1.00/93**

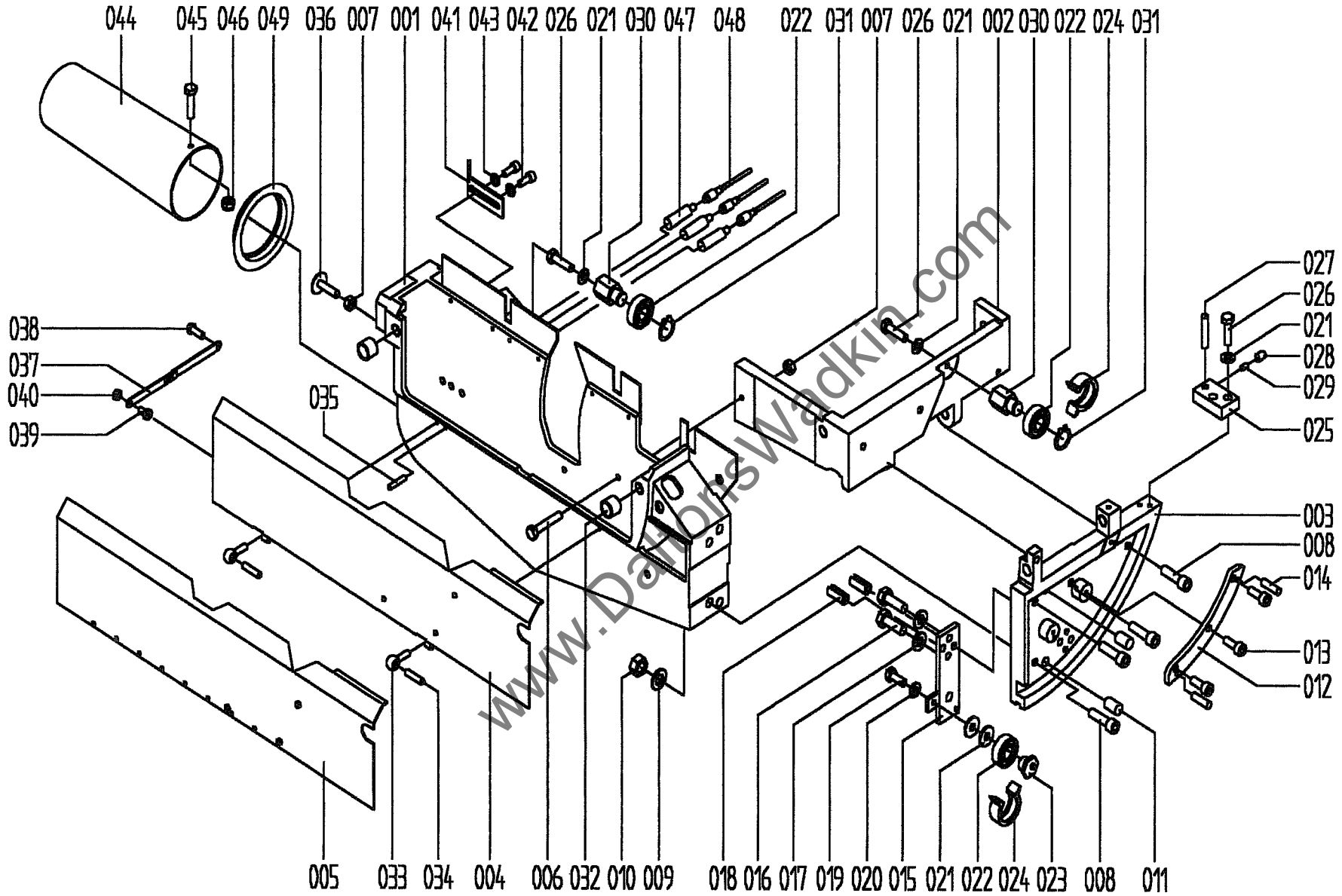
<b>Pos.</b>	<b>Article No.</b>	<b>Designation</b>
001	F9330.0510	terminal box
002	K6450.0002	terminal screw connection PG16
003	K6450.0003	hexagonal nut PG16
004	K6450.0001	terminal screw connection PG9
005	K6450.0004	hexagonal nut PG9
006	K3100.0004	cheese head screw M5x10
007	K3200.0003	hexagonal nut M5
008	K6420.0001	end support
009	K6420.0002	end plate AP2.5-10
010	K6420.0003	modular terminal block
011	K6420.0004	modular terminal block, blue
012	K6420.0005	protective earth terminal block
013	K6420.0006	modular terminal block
014	K6450.0005	hexagonal nut PG21
015	K6450.0006	reduction piece PG21-PG16
016	K6450.0007	terminal screw connection PG21
017	F9304.0781	housing base POSIT/ELMO
018	F9304.0780	cover for POSIT
019	K6450.0012	terminal screw connection PG16/3x7
020	K6450.0013	terminal screw connection PG16/2x8
021	K6450.0014	terminal screw connection PG16/2x6
022	K6450.0015	reduction piece PG16-PG11
023	K6450.0008	terminal screw connection PG11
024	K6740.0002	sensor terminal strip
025	K6420.0021	HTS socket
026	K6420.0022	HTS female insert
027	K6420.0023	HTS plug
028	K6420.0024	HTS male insert
029	K3100.0210	cheese head screw M3x10
030	K6420.0010	D-SUB plug 25-pole
031	K6420.0025	D-SUB socket 25-pole
032	K6420.0012	D-SUB plug 15-pole
033	K6420.0013	D-SUB socket 15-pole
034	F9304.0782	housing base DIGITX
035	F9304.0920	cover for DIGITX
036	F9304.0930	cover ELMO/POSIT
037	K6740.0003	control card ELMO
038	K6450.0016	reduction piece PG16-PG9
039	K6450.0017	closing screw PG16
040	K6420.0015	D-SUB plug 9-pole
041	K6420.0026	D-SUB socket 9-pole
042	F9304.0790	cover for ELMO
043	F9304.0940	cover for ELMO/DIGITX

## 1.7 Roller unit

Spare parts list 080  
Version 1.00/93

Pos.	Article No.	Designation
001	F9309.0510	holder for moving roller
002	F9309.0520	protective plate
003	F9309.0530	bolt
004	F9309.0540	cam
005	F9309.0550	round rod
006	F9309.0560	round rod
007	F9309.0570	screw
008	K3200.0077	washer
009	K3700.0054	handle
010	K3200.0051	circlip 16x1
011	K3100.0211	hexagon cap screw M6x10
012	F9309.0580	steering roller
013	F9309.0590	headless set screw
014	K3700.0017	ball knob





2. Chip channel

Spare parts list 062  
Version 1.00/93

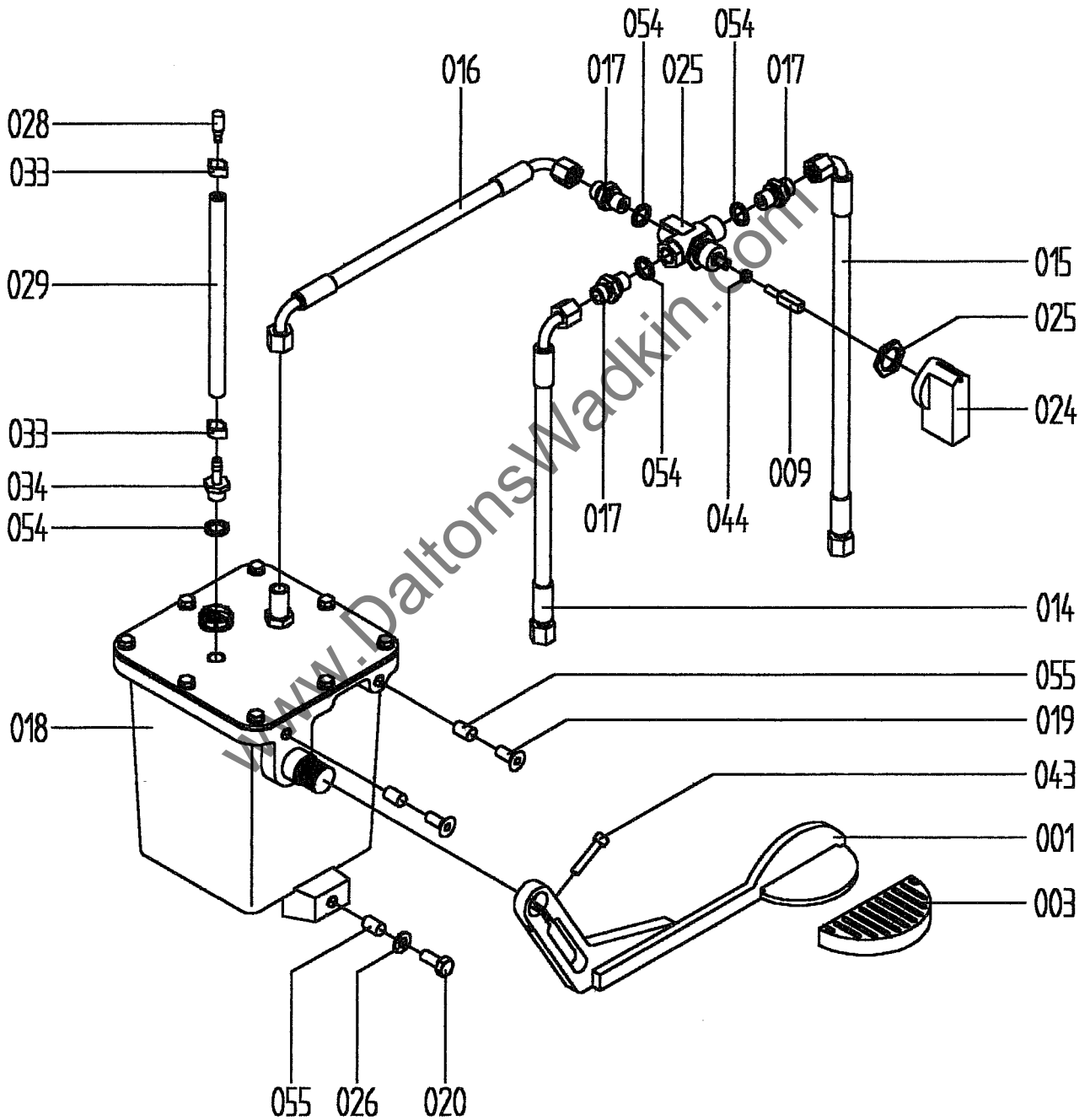
**2. Chip channel****Spare parts list 062  
Version 1.00/93****Pos. Article No. Designation**

001	F9017.0541	chip channel
002	F9017.0562	bridge for motor rocker
003	F9017.0584	segment
004	B9017.0110	cover plate
005	B9017.0130	cover plate (steel guide)
006	K3100.0161	hexagon cap screw M8x45
007	K3200.0036	hexagonal nut M8
008	K3100.0162	cheese head screw M12x40
009	K3200.0007	washer A13
010	K3200.0060	hexagonal nut M12
011	K3100.0163	straight pin 16x24
012	F9017.0800	tooth segment
013	K3100.0043	cheese head screw M6x16
014	K3100.0164	straight pin 6x20
015	B9017.0064	swivel lever
016	K3100.0001	hexagon cap screw M10x30
017	K3200.0002	washer A10.5
018	K3100.0165	clamping pin 12x26
019	K3100.0008	hexagon cap screw M8x20
020	K3200.0005	washer A8.4
021	K3200.0061	washer A8.4
022	K3300.0018	ball bearing 6202 2RS
023	F9017.0860	cam 2
024	F9017.0690	stripper
025	F9017.0810	stop
026	K3100.0166	hexagon cap screw M8x30
027	K3100.0167	headless set screw M8x40
028	K3100.0057	headless set screw M6x8
029	F9017.1001	pressure piece
030	F9017.1002	cam 1
031	K3200.0014	circlip 15x1
032	B9017.0100	magnetic screw
033	K3100.0168	eye bolt M5
034	K3100.0169	grooved taper pin 5x20
035	K3100.0170	clamping pin 4x20
036	F9017.0870	half-round head screw
037	K3700.0038	hinge
038	K3100.0171	grooved drive stud 5x15
039	K3100.0088	cheese head screw 5x8
040	K3200.0062	hexagonal nut M5
041	F9017.0880	switching flag
042	K3100.0020	cheese head screw M5x12
043	K3200.0015	washer A5.3
044	F9017.1003	chip funnel
045	K3100.0172	hexagon cap screw M6x25
046	K3200.0063	lock nut M6
047	K6730.0006	sensor (only for ELMO/POSIT)
048	K6420.0021	cable for sensor
049	K3700.0039	seal ring

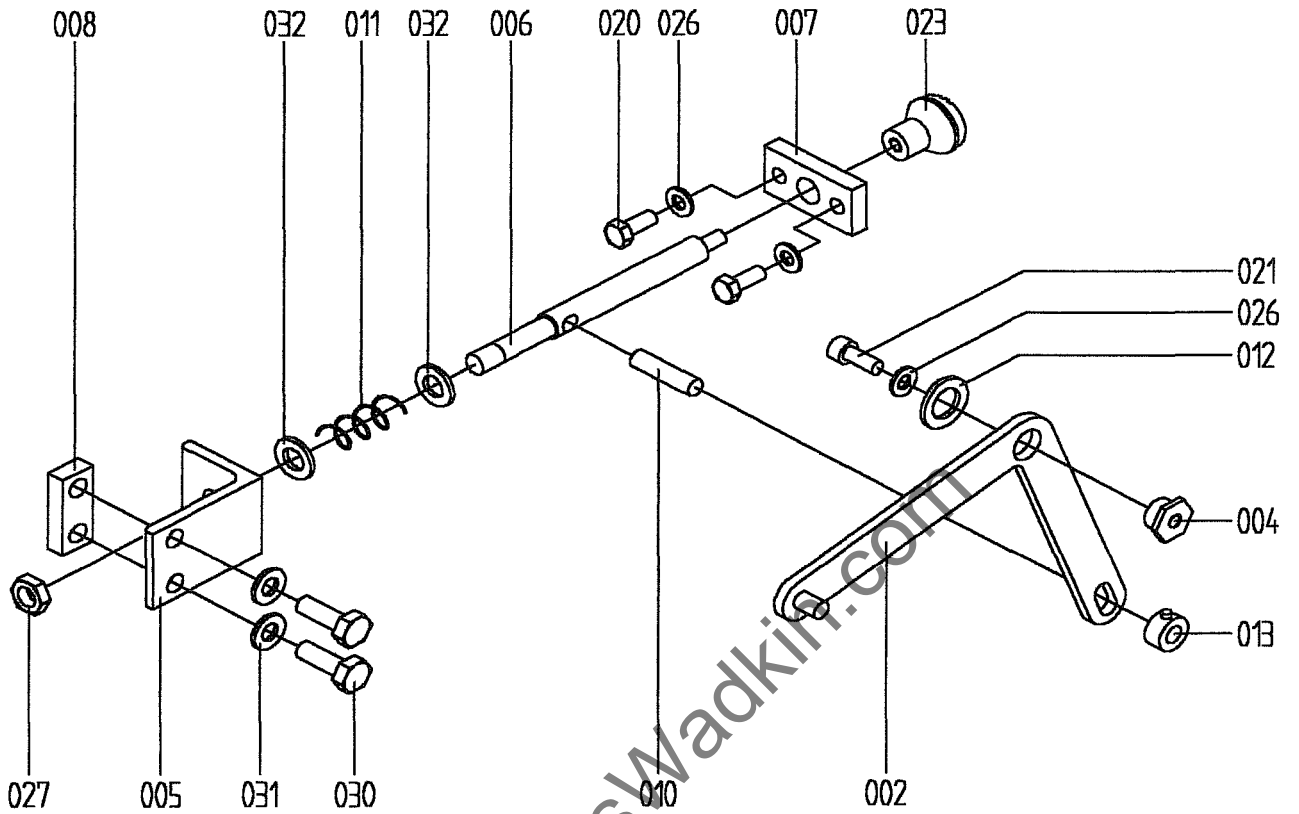


3. Saw blade adjustment, main saw  
3.1 Hydraulic adjustment  
3.1.1 Hydraulic pump

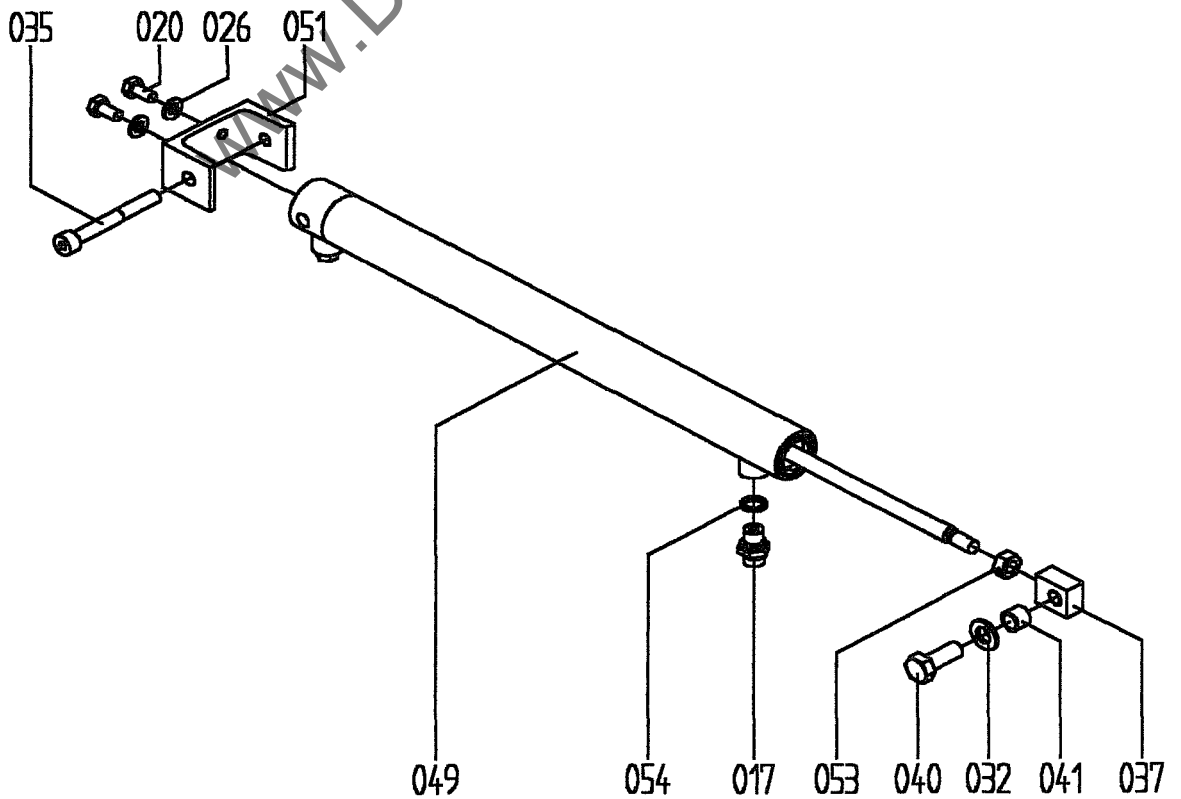
Spare parts list 064  
Version 1.00/93



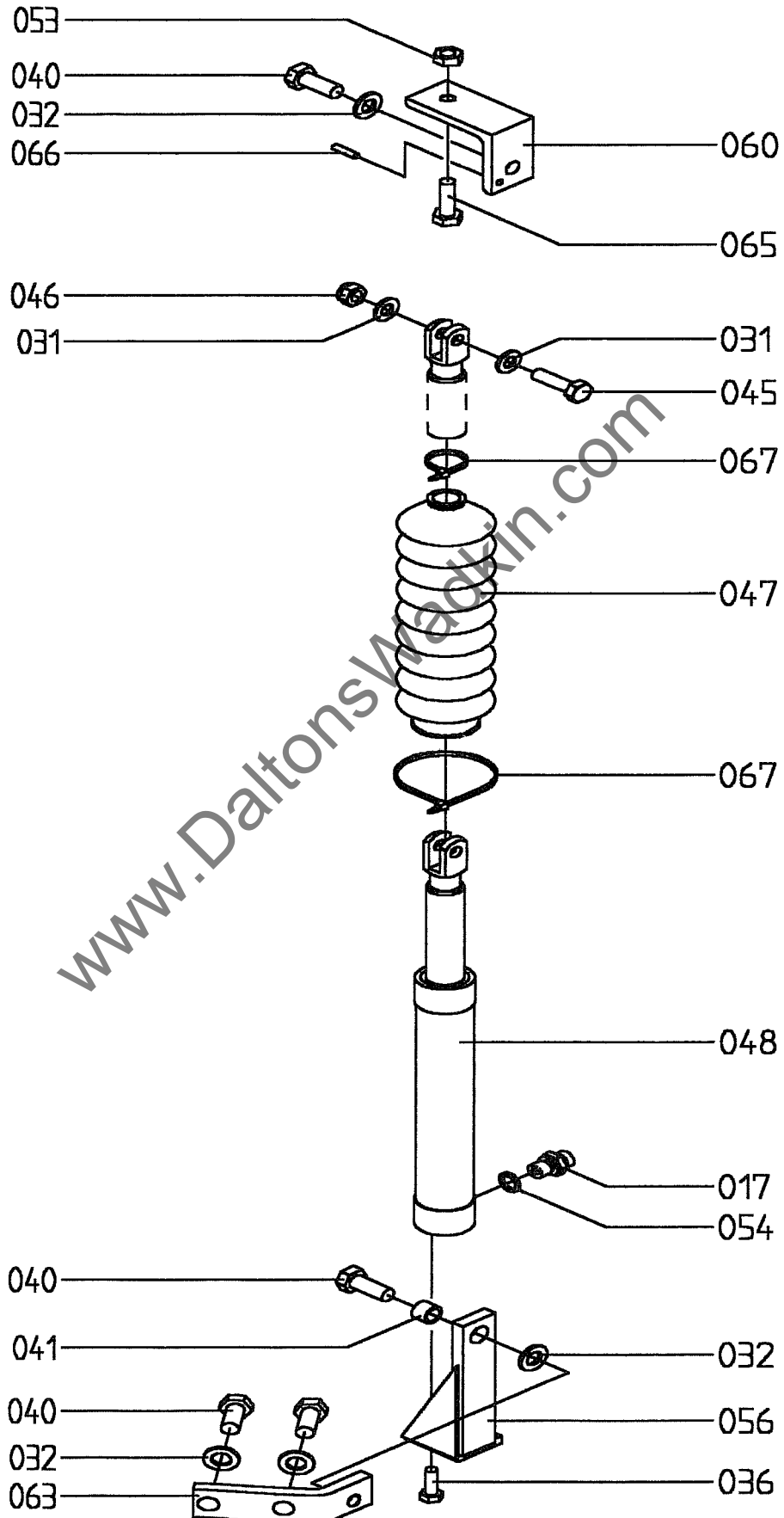
### 3.1.2 90° Interlocking



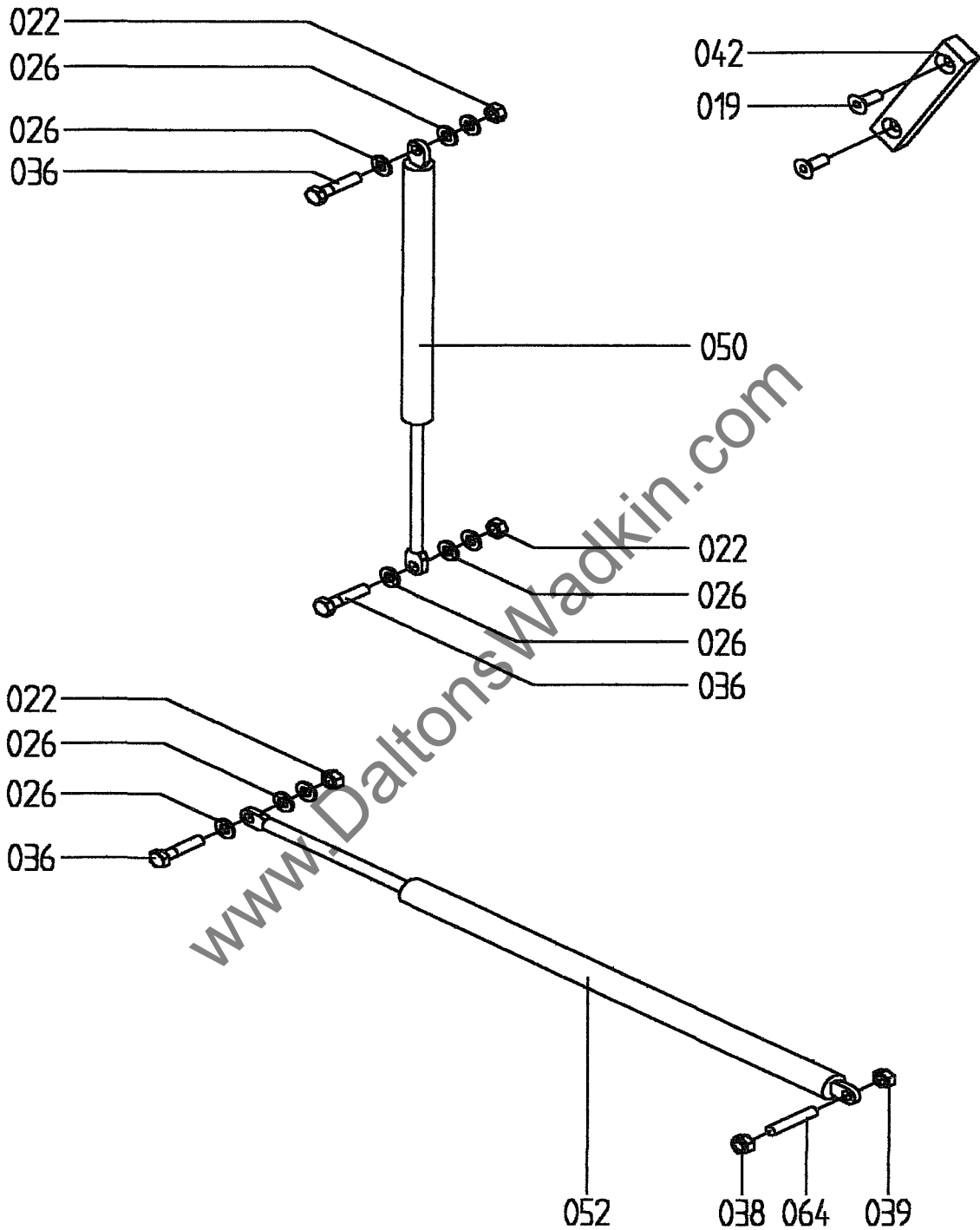
### 3.1.3 Swivel adjustment



### 3.1.4 Height adjustment F45



### 3.1.5 Gas pressure springs

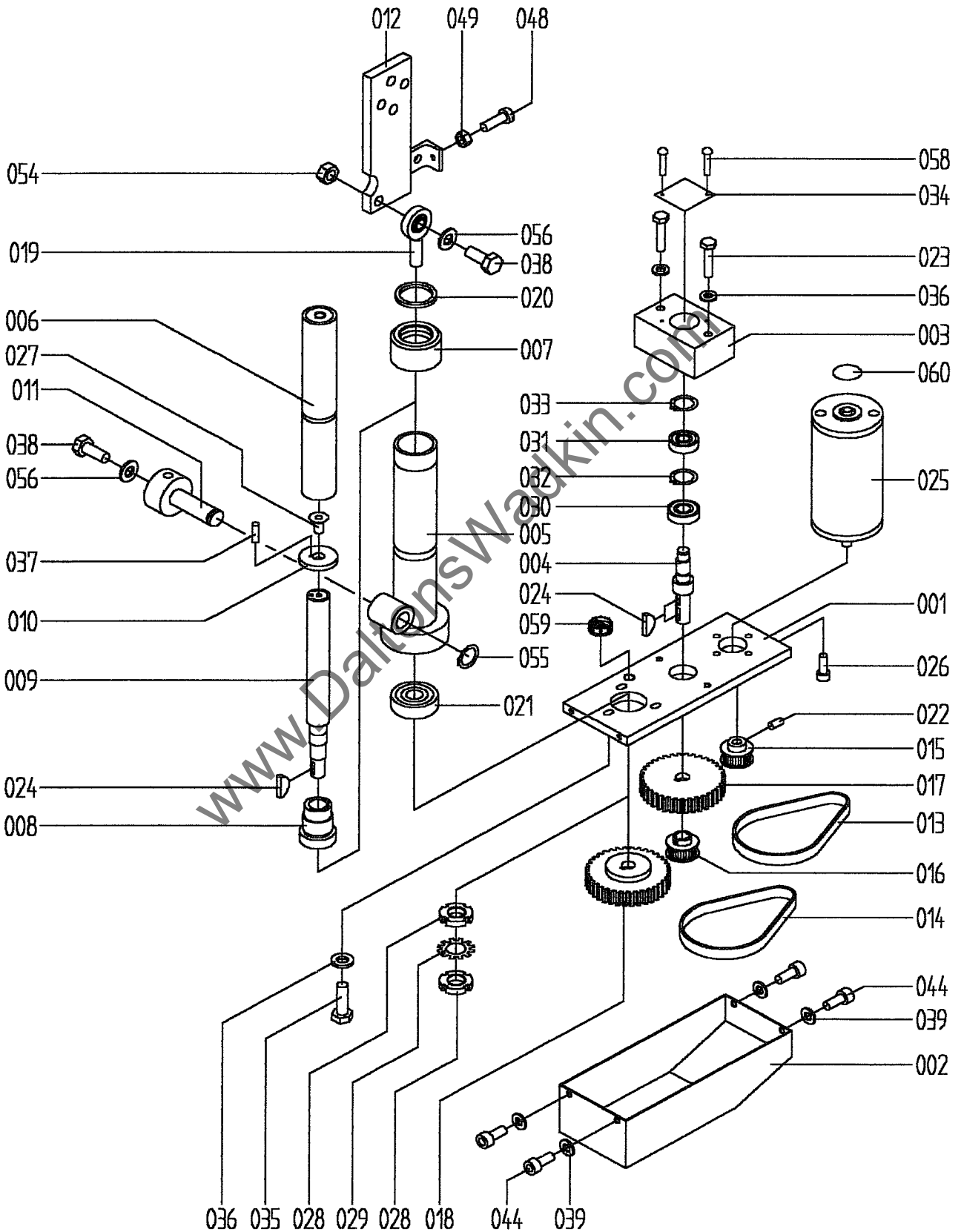


**3. Saw blade adjustment, main saw****3.1 Hydraulic adjustment****Spare parts list 064****Version 1.00/93**

Pos.	Article No.	Designation	Pos.	Article No.	Designation
001	B9320.0050	foot lever	054	K3900.0014	sealing ring
002	B9320.0060	lever	055	K3100.0015	threaded insert
003	F9320.0510	treadle for foot lever	056	B9320.0070	mounting
004	F9320.0530	bush	060	B9320.0080	end stop
005	F9320.0540	bracket	063	F9320.0680	mounting
006	F9320.0550	round bar	065	K3100.0016	hexagon cap screw M10x35
007	F9320.0560	flat steel	066	K3100.0017	clamping pin 5x20
008	F9320.0570	spacer block	067	K6540.0001	cable band
009	F9320.0580	extension			
010	K3100.0006	straight pin 6x40			
011	K3600.0001	pressure spring			
012	F9320.0590	brass washer			
013	K3200.0004	set collar			
014	K3900.0001	hydraulic hose 850			
015	K3900.0002	hydraulic hose 600			
016	K3900.0003	hydraulic hose 290			
017	K3900.0004	screw-in screw connection			
018	K3900.0005	hydraulic foot pump			
019	K3100.0007	countersunk screw M8x16			
020	K3100.0008	hexagon cap screw M8x20			
021	K3100.0009	cheese head screw M8x20			
023	K3700.0001	mushroom button			
024	K3700.0002	T-handle			
025	K3900.0006	ball valve			
026	K3200.0005	washer B8.4			
027	K3200.0006	hexagonal nut M12			
028	K3900.0008	damper			
029	K3900.0009	hose			
030	K3100.0001	hexagon cap screw M10x30			
031	K3200.0002	washer A10.5			
032	K3200.0007	washer A13			
033	K3900.0010	hose clip			
035	K3100.0010	cheese head screw M10x80			
036	K3100.0011	hexagon cap screw M8x35			
037	F9320.0600	flat steel			
040	K3100.0013	hexagon cap screw M12x30			
041	F9320.0610	bush			
043	K3100.0012	cheese head screw M6x30			
044	K3200.0003	hexagonal nut M5			
045	K3100.0014	hexagon cap screw M10x40			
046	K3200.0008	hexagonal nut, self-locking M10			
047	K3900.0011	bellows			
048	K3900.0012	height adjustment cylinder			
049	K3900.0013	swivel cylinder			
051	F9320.0620	U-profile			
053	K3200.0009	hexagonal nut M10			

**3. Saw blade adjustment, main saw**  
**3.2 Electromotive adjustment**  
**3.2.1 Swivel adjustment**

**Spare parts list 033**  
**Version 1.00/93**



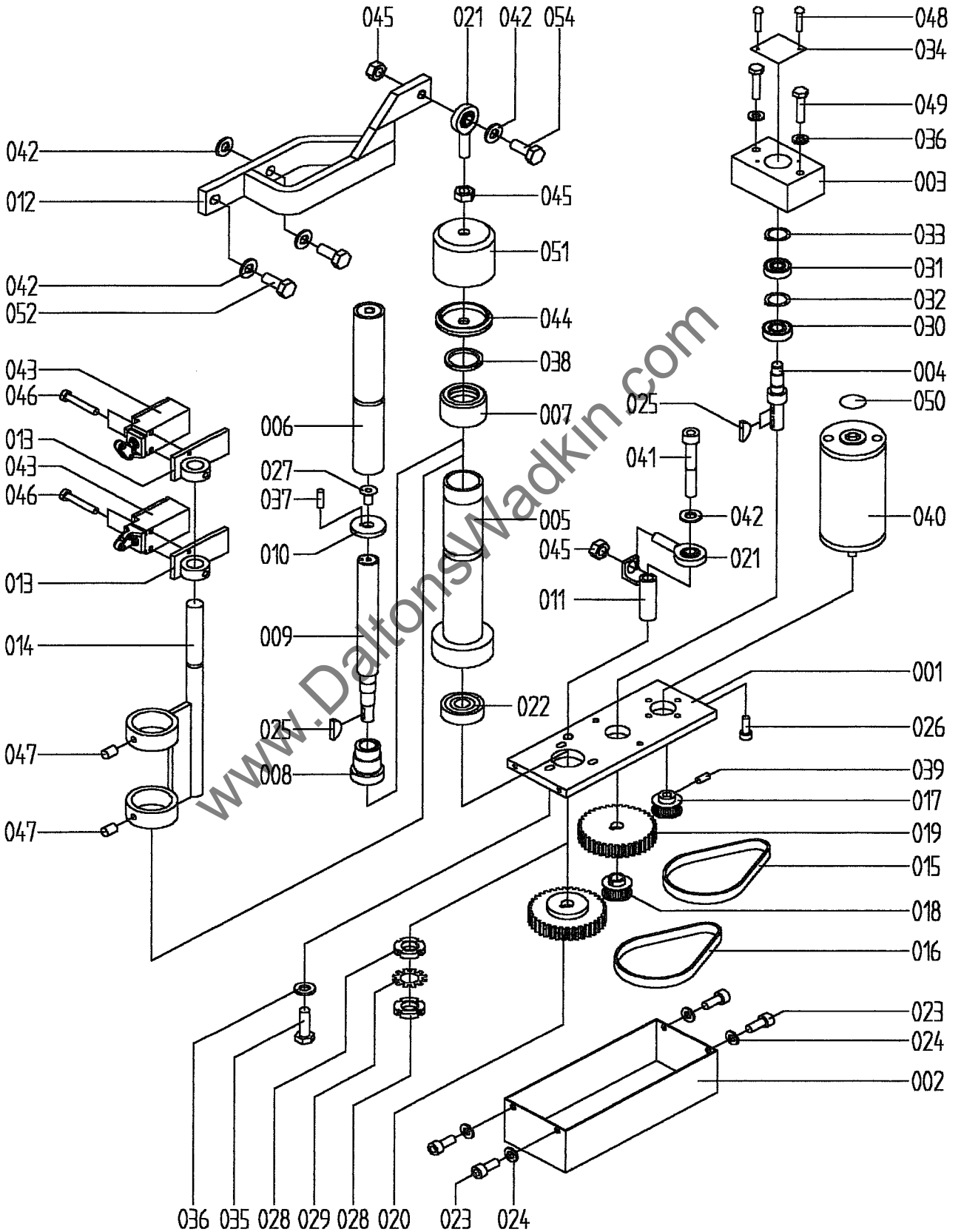
**3. Saw blade adjustment, main saw**  
**3.2 Electromotive adjustment**  
**3.2.1 Swivel adjustment**

**Spare parts list 033**  
**Version 1.00/93**

Pos.	Article No.	Designation
001	F9310.0510	base plate
002	F9310.0520	housing
003	F9310.0530	bearing block
004	F9310.0540	intermediate shaft
005	B9310.0050	supporting tube
006	B9310.0070	slide tube
007	F9310.0560	guide
008	F9310.0570	gunmetal nut
009	F9310.0580	spindle
010	F9310.0590	washer
011	F9310.0600	holder
012	B9310.0660	lever
013	K3500.0001	toothed belt 295
014	K3500.0002	toothed belt 305
015	F9310.0610	gearwheel
016	F9310.0620	gearwheel
017	F9310.0630	gearwheel
018	F9310.0640	gearwheel
019	K3500.0003	articulated head
020	K3900.0015	quad ring
021	K3300.0002	ball bearing 6302ZZ
022	K3100.0018	securing pin 2x20
023	K3100.0019	hexagon cap screw M6x45
024	K3400.0001	curved washer
025	K6120.0001	motor
026	K3100.0020	cheese head screw M5x12
027	K3100.0021	countersunk screw M5x16
028	K3200.0010	shaft nut
029	K3200.0011	retaining plate
030	K3300.0003	ball bearing 6001-2RS
031	K3300.0004	ball bearing 6000ZZ
032	K3300.0012	circlip 12x1
033	K3200.0013	circlip 10x1
034	F9310.0740	cover plate
035	K3100.0022	hexagon cap screw M6x20
036	K3200.0001	washer A6.4
037	K3100.0023	securing pin 3x10
038	K3100.0024	hexagon cap screw M10x25
039	K3200.0001	washer A6.4
044	K3100.0020	cheese head screw M5x12
048	K3100.0025	cheese head screw M5x16
049	K3200.0003	hexagonal nut M5
054	K3200.0009	hexagonal nut M10
055	K3200.0014	circlip 15x1
056	K3200.0002	washer A10.5
058	K3100.0026	grooved drive stud 2x10
059	K3100.0027	screw plug
060	F9310.0750	sheet metal washer

**3. Saw blade adjustment, main saw**  
**3.2 Electromotive adjustment**  
**3.2.2 Height adjustment**

**Spare parts list 034**  
**Version 1.00/93**





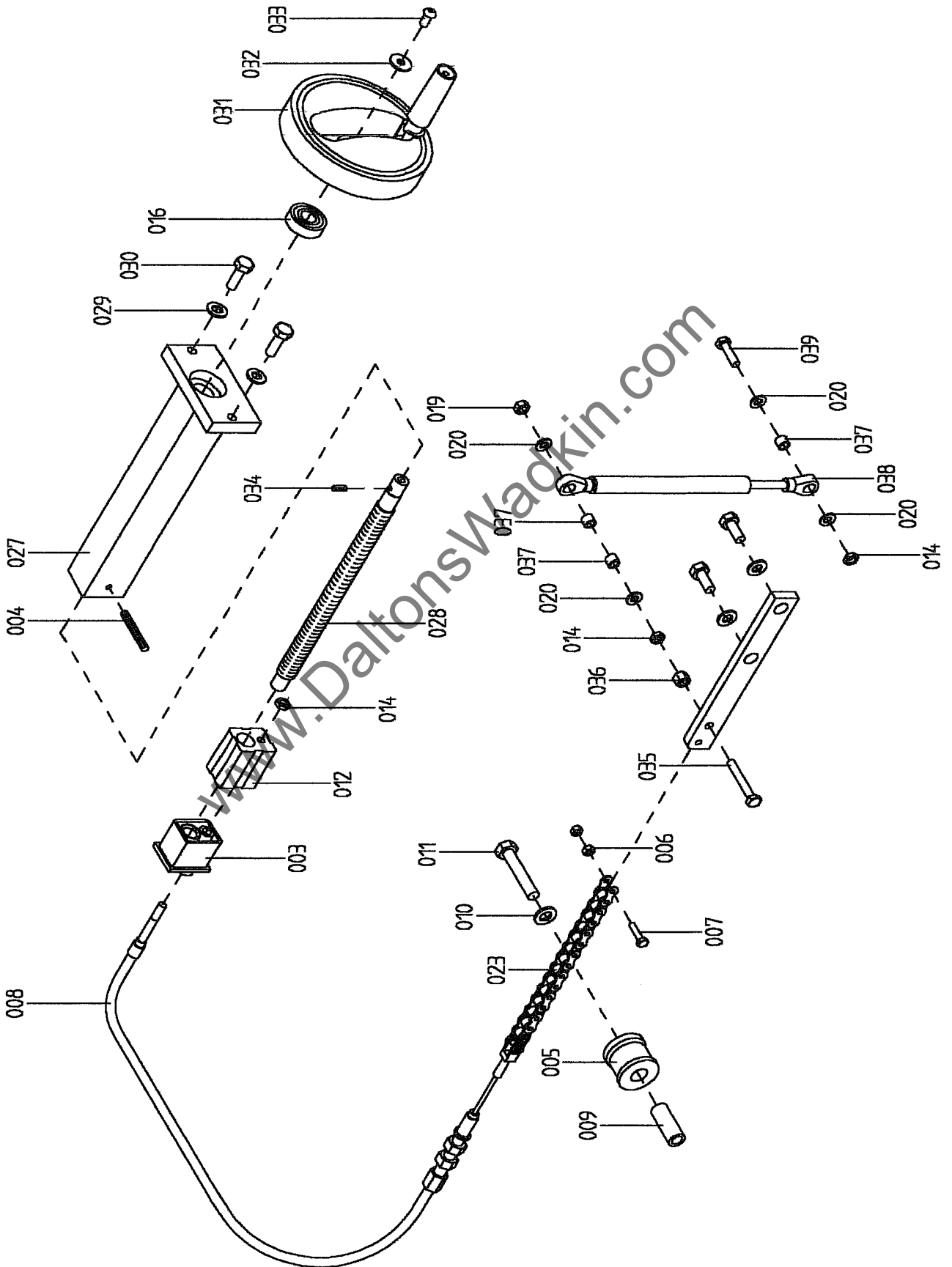
**3. Saw blade adjustment, main saw**  
**3.2 Electromotive adjustment**  
**3.2.2 Height adjustment**

**Spare parts list 034**  
**Version 1.00/93**

<b>Pos.</b>	<b>Article No.</b>	<b>Designation</b>
001	F8906.01B0	base plate
002	F8907.02A0	housing
003	F8906.0400	bearing block
004	F8906.05B0	intermediate shaft
005	B8907.06A0	supporting tube
006	B8907.0700	slide tube
007	F8906.0800	guide
008	F8906.0900	gunmetal nut
009	F8907.10A0	spindle
010	F8906.1100	washer
011	F8907.12A0	spacer tube
012	B8907.13A0	lever
013	B8907.14B0	mounting, limit switch
014	B8907.0300	supporting rod
015	K3500.0001	toothed belt 295
016	K3500.0002	toothed belt 305
017	F8906.14A0	gearwheel
018	F8906.1500	gearwheel
019	F8906.1600	gearwheel
020	F8906.1700	gearwheel
021	K3500.0003	articulated head
022	K3300.0002	ball bearing 6302ZZ
023	K3100.0004	cheese head screw M5x10
024	K3200.0015	washer A5.3
025	K3400.0001	disc spring
026	K3100.0020	cheese head screw M5x12
027	K3100.0028	countersunk screw M5x10
028	K3200.0010	shaft nut
029	K3200.0011	retaining plate
030	K3300.0003	ball bearing 6001-2RS
031	K3300.0004	ball bearing 6000ZZ
032	K3200.0012	circlip 12x1
033	K3200.0013	circlip 10x1
034	F8906.0010	cover plate
035	K3100.0022	hexagon cap screw M6x20
036	K3200.0001	washer A6.4
037	K3100.0023	securing pin 3x10
038	K3900.0015	quad ring
039	K3100.0029	securing pin 3x20
040	K6120.0001	motor (ELMO)
040	K6120.0002	motor with shaft encoder (POSIT)
041	K3100.0030	cheese head screw M10x70
042	K3200.0002	washer A10.5
043	K6330.0001	limit switch
044	F8907.1600	washer (only for mach.w.scoring unit)
045	K3200.0009	hexagonal nut M10
046	K3100.0031	cheese head screw M4x25
047	K3100.0032	headless set screw M6x8
048	K3100.0026	grooved drive stud 2x10
049	K3100.0019	hexagon cap screw M6x45
050	F8906.0011	sheet metal washer
051	F8907.1700	switching element (only for mach. without scoring u.)
052	K3100.0024	hexagon cap screw M10x25
053	K3100.0016	hexagon cap screw M10x35

**3. Saw blade adjustment, main saw**  
**3.3 Manual adjustment F90**

**Spare parts list 079**  
**Version 1.00/93**

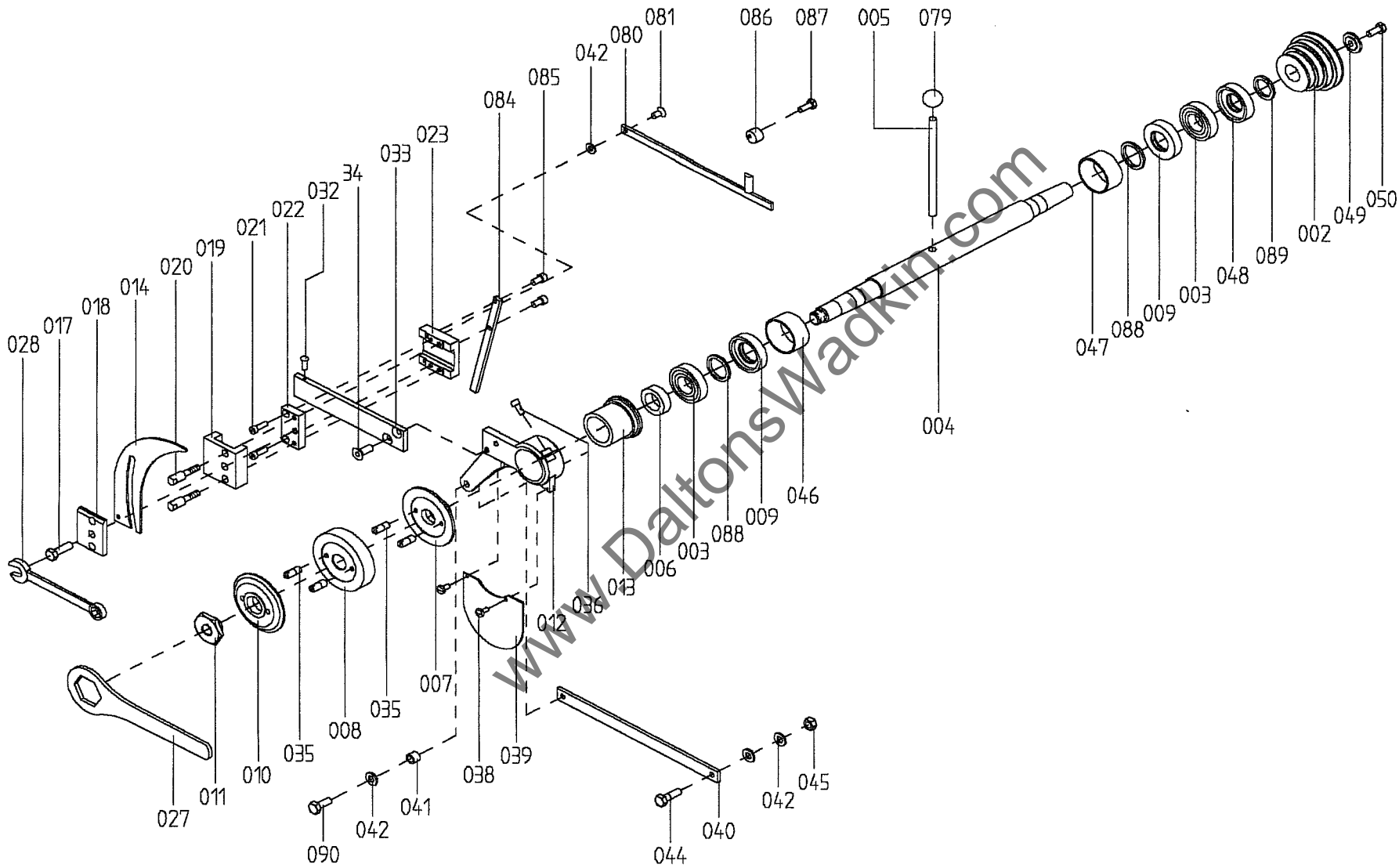


### 3. Saw blade adjustment, main saw

#### 3.3 Manual adjustment F90

Spare parts list 079  
Version 1.00/93

Pos.	Article No.	Designation
003	F9001.0530	counter bearing
004	K3100.0083	securing pin 6x45
005	F9001.0550	roller for rise and fall
006	K3200.0018	hexagonal nut M6
007	K3100.0172	hexagon cap screw M6x25
008	K3500.0010	Bowden cable
009	F9001.0560	bush
010	K3200.0007	washer A13
011	K3100.0148	hexagon cap screw M12x65
012	F9001.0520	cast nut
014	K3200.0023	hexagonal nut
016	K3300.0005	grooved ball bearing 6203 2Z
019	K3200.0036	hexagonal nut M8
020	K3200.0005	washer A8.4
023	K3500.0011	roller chain
027	B9319.0050	spindle bearing
028	F9319.0510	spindle
029	K3200.0002	washer A10.5
030	K3100.0024	hexagon cap screw M10x25
031	K3700.0053	hand wheel
032	K3200.0061	washer A8.4
033	K3100.0005	oval head screw M8x16
034	K3100.0207	securing pin 4.5x14
035	K3100.0208	hexagon cap screw M8x55
036	K3200.0076	hexagonal nut M8
037	F8812.1220	bush
038	K3600.0007	gas pressure damper (4kW)
038	K3600.0008	gas pressure damper (5.5-11kW)
039	K3100.0166	hexagon cap screw M8x30

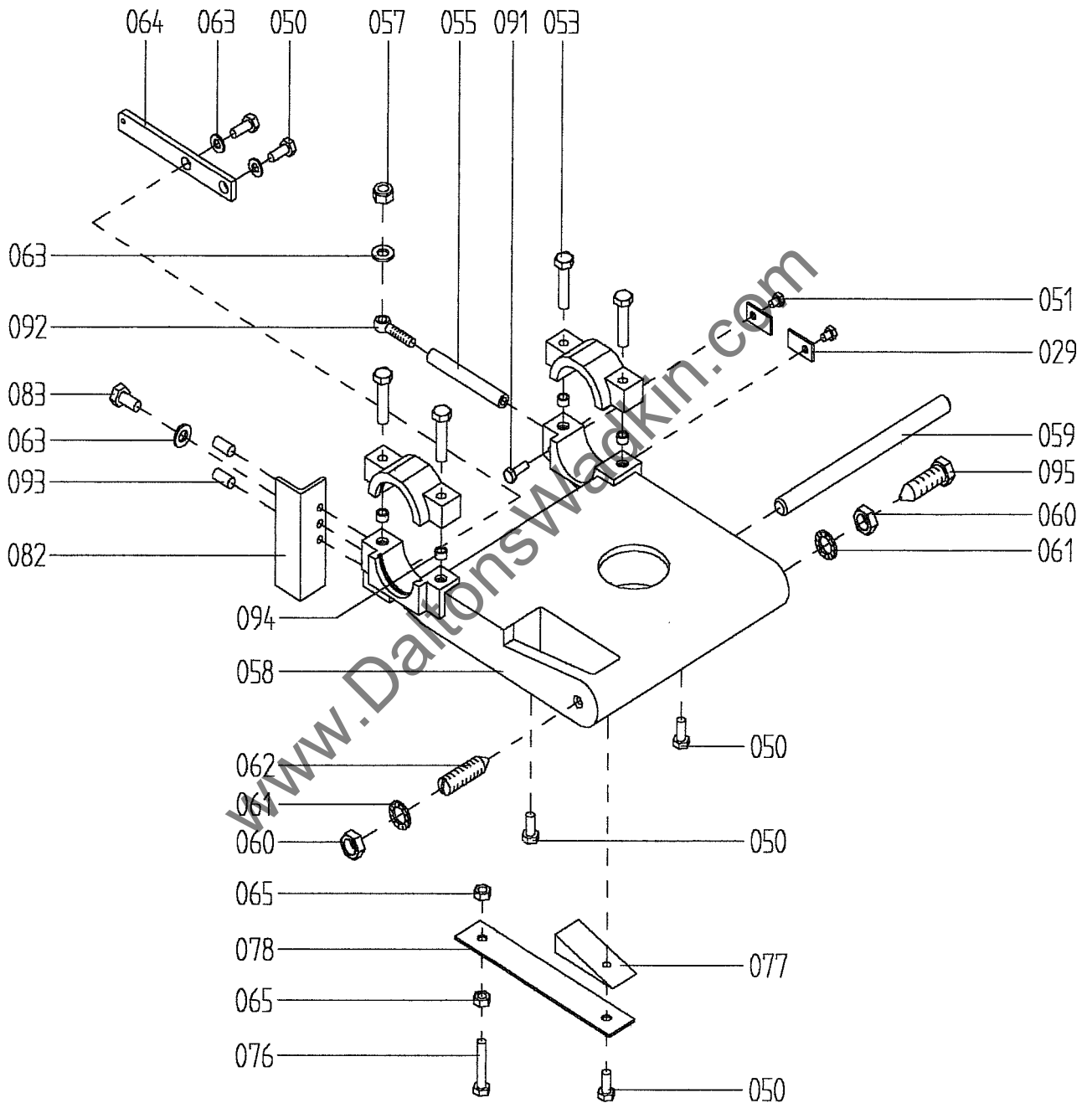


4. Main saw unit  
4.1 Saw shaft

Spare parts list 009  
Version 1.01/93

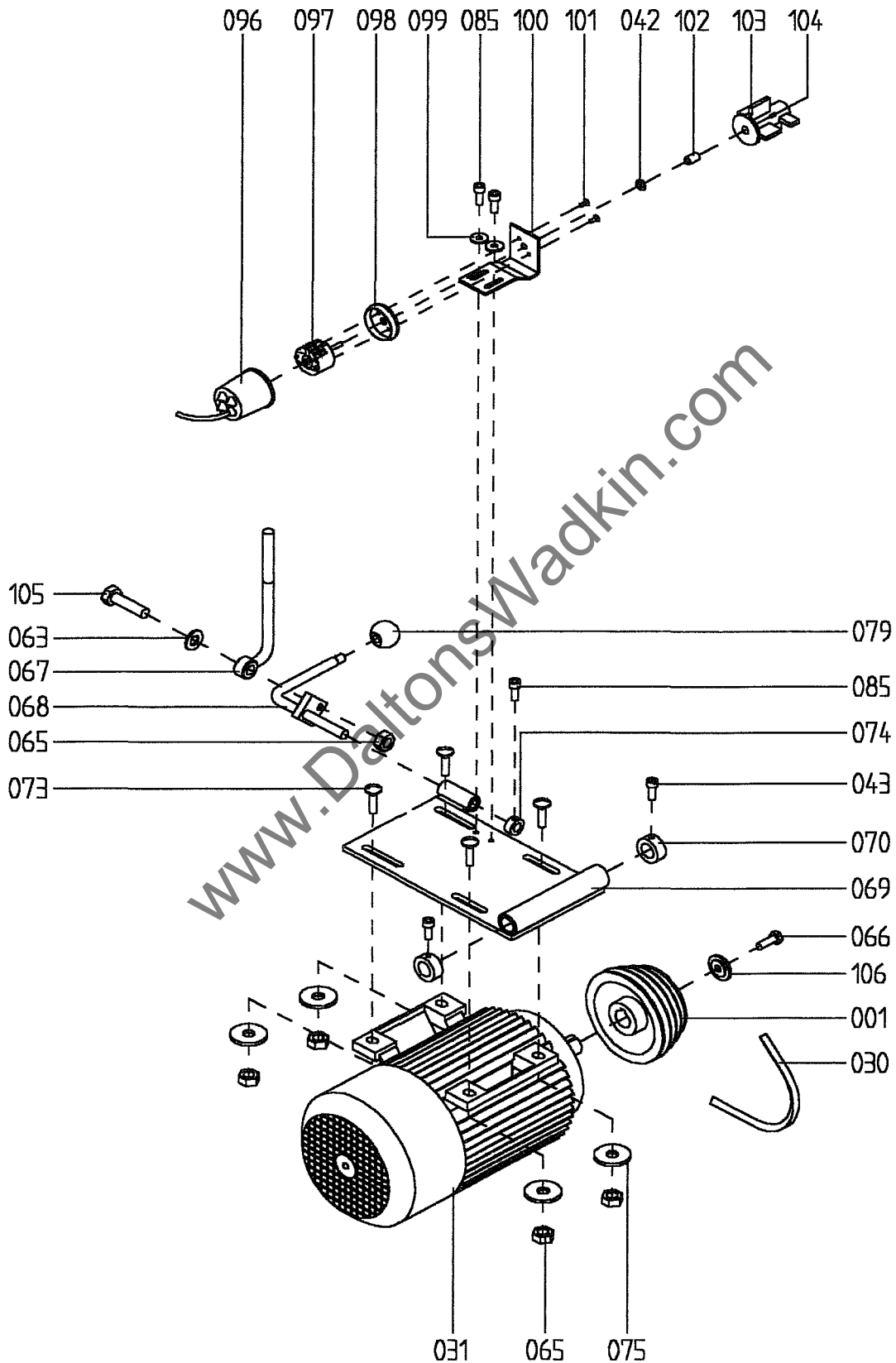
**4. Main saw unit**  
**4.2 Saw rocker**

**Spare parts list 009**  
**Version 1.01/93**



4. Main saw unit  
4.3 Motor with speed display

Spare parts list 009  
Version 1.01/93



#### 4. Main saw unit

#### Spare parts list 009 Version 1.01/93

Pos.	Article No.	Designation	Pos.	Article No.	Designation
001	F8807.1120	pulley for motor	055	F8807.0990	stay bar
002	F8807.0930	pulley for saw shaft	057	K3200.0008	lock nut M10
003	K3300.0021	ball bearing 6207 2Z	058	B8807.0171	saw rocker w. bearing cover
004	F8807.0780	saw shaft	059	F8807.1000	round bar
005	B8807.0200	holding mandrel	060	K3200.0053	hexagonal nut M20
006	K3900.0018	felt ring 1	061	K3200.0066	tooth lock washer J21
007	F8807.0850	rear flange	062	F8807.1020	centering bolt M20
008	F8807.0830	intermediate washer	063	K3200.0002	washer A10.5
009	F8807.0900	inside bearing ring, large	064	B8807.0190	lever
010	F8807.0810	front flange	065	K3200.0009	hexagonal nut M10
011	F8807.0790	saw shaft nut SW55	066	K3100.0001	hexagon cap screw M10x30
012	F8807.0610	iving knife support	067	F8807.0590	eye bolt M10
013	F8807.0750	hub f. riving knife support	068	B8807.0090	adjusting lever
014	K3700.0043	iving knife size 25	069	B8807.0070	motor base plate
014	K3700.0044	iving knife size 35	070	K3200.0067	set collar A24
014	K3700.0045	iving knife size 45	073	K3100.0191	saucer-head screw M10x40
017	K3100.0186	hexagon cap screw M12x38	074	K3200.0065	set collar A14
018	F8807.0670	hold-down plate	075	K3200.0068	washer A10.5
019	F8807.0660	pressure plate	076	K3100.0039	hexagon cap screw M10x60
020	F8807.0680	stud bolt	077	F8807.1080	wood wedge
021	K3100.0009	cheese head screw M8x20	078	F8807.1070	leaf spring 50x3
022	F8807.0640	support plate	079	K3700.0040	ball knob
023	F8807.0630	guide plate	080	B8807.0120	depth stop
023	F8807.1330	guide plate (ELMO/POSIT)	081	K3100.0007	countersunk screw M8x16
027	K3700.0042	spanner SW55	082	F8807.1100	guide bracket (only type 45)
028	K3700.0041	offset ring spanner	083	K3100.0046	hexagon cap screw M10x20
029	F8807.1090	leaf spring	084	F8807.1320	switching arm (ELMO/POSIT)
030	K3500.0008	Poly-Flex belt	085	K3100.0065	cheese head screw M6x10
031	K6120.0004	drive motor 4kW/400V/brake	086	F8807.1230	cam
031	K6120.0007	drive motor 4kW/400V	087	K3100.0155	hexagon cap screw M8x25
031	K6120.0005	drive motor 5.5kW/400V/brake	088	K3900.0019	felt ring 2
031	K6120.0008	drive motor 5.5kW/400V	089	K3900.0020	felt ring 3
031	K6120.0006	drive motor 7.5kW/400V/brake			
031	K6120.0009	drive motor 7.5kW/400V			
032	K3100.0171	grooved drive stud 5x15			
033	F8807.0690	steel plate			
034	K3100.0044	countersunk screw M10x25			
035	K3100.0154	set screw M8x20			
036	K3100.0080	cheese head screw M8x20			
038	K3100.0187	oval head screw M5x10			
039	F8807.0700	cover plate			
040	F8807.0760	parallel rod			
041	F8807.1220	bush			
042	K3200.0005	washer A8.4			
043	K3100.0085	cheese head screw M8x16			
044	K3100.0192	dowel screw M8x25			
045	K3200.0036	hexagonal nut M8			
046	F8807.1271	ball bearing bedding 33			
047	F8807.1261	ball bearing bedding 50			
048	F8807.0910	inside bearing ring, small			
049	F8807.1370	washer			
050	K3100.0024	hexagon cap screw M10x25			
051	K3100.0190	hexagon cap screw M8x10			
053	K3100.0188	hexagon cap screw M12x50			

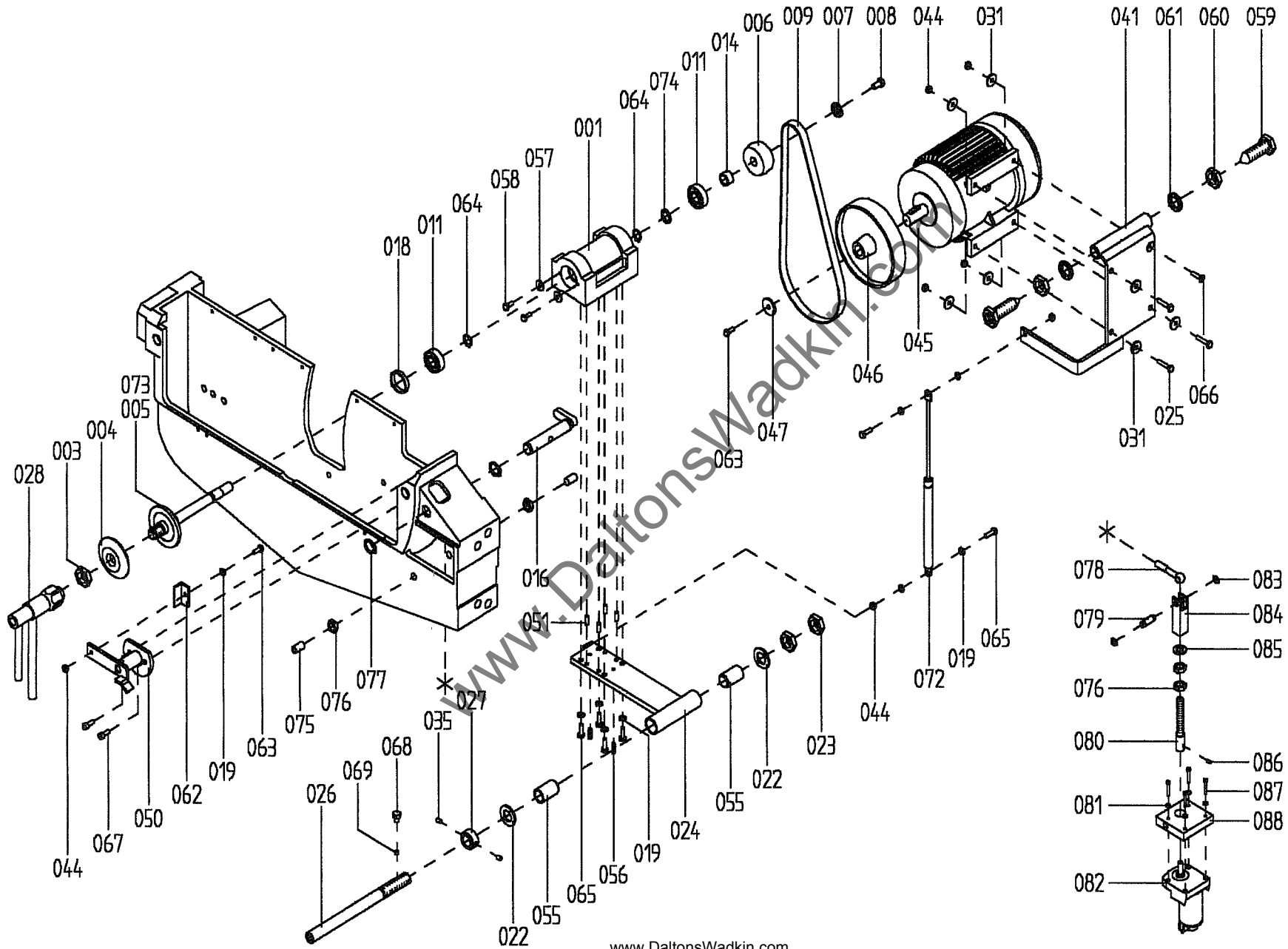
#### 4. Main saw unit

Spare parts list 009  
Version 1.01/93

Pos.	Article No.	Designation
090	K3100.0008	hexagon cap screw M8x20
091	K3100.0166	hexagon cap screw M8x30
092	K3100.0189	eye bolt M10
093	K3100.0193	straight pin 10x24
094	K3300.0022	slide bearing
095	B8807.0180	centering bolt M20 (type 45)
097	K6320.0018	stepping switch
099	K3200.0058	washer A6.4
100	F8807.1360	bracket
101	K3100.0194	countersunk screw M4x10
102	K3700.0046	bush
103	F8807.1390	speed locking
104	K3100.0195	headless set screw M4x8
105	K3100.0147	hexagon cap screw M10x40
106	F8807.1390	washer

www.DaltonsWadkin.com

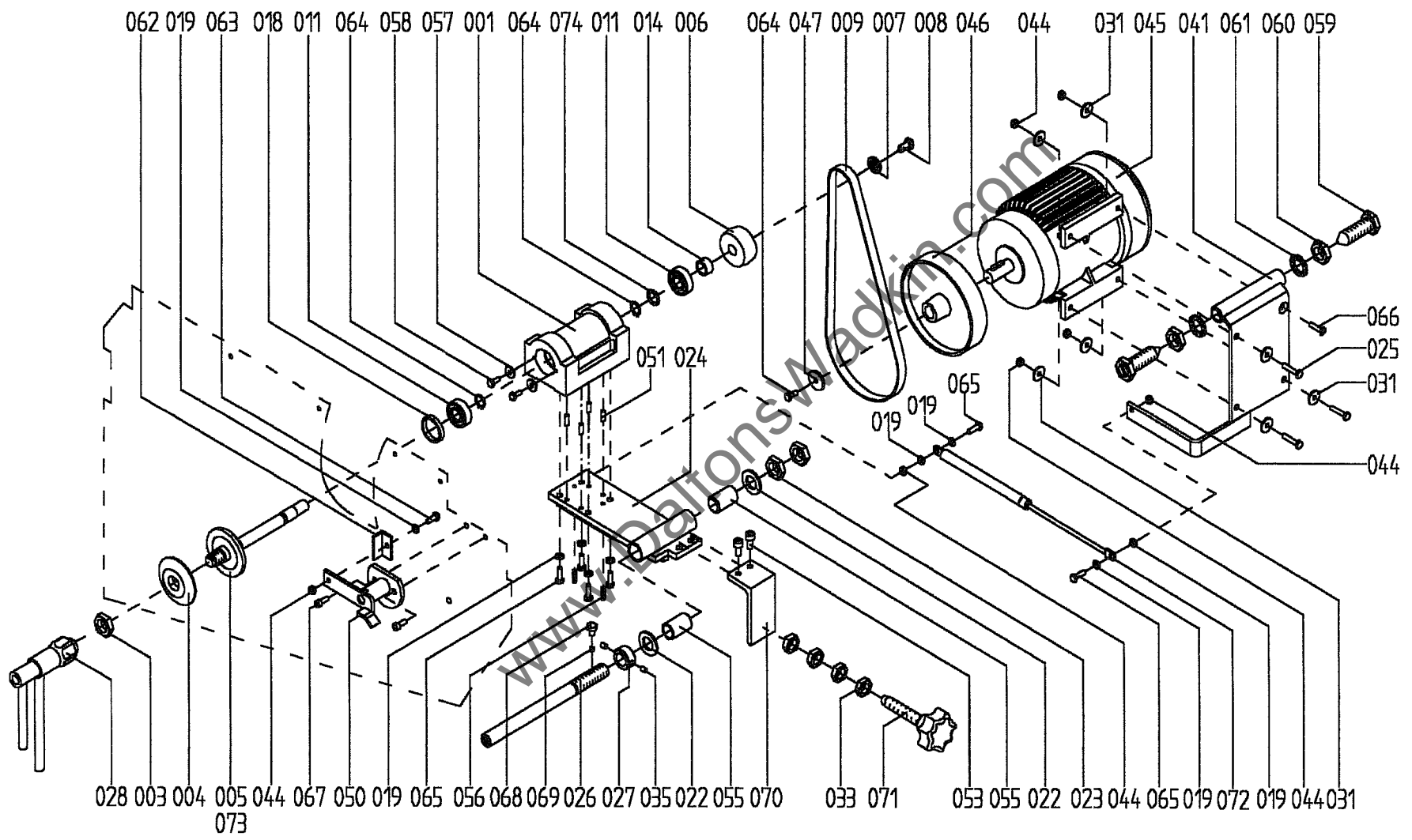




5. Scoring saw unit  
5.1 Type 45

Spare parts list 013  
Version 1.00/93

5. Scoring saw unit  
5.2 Type 90



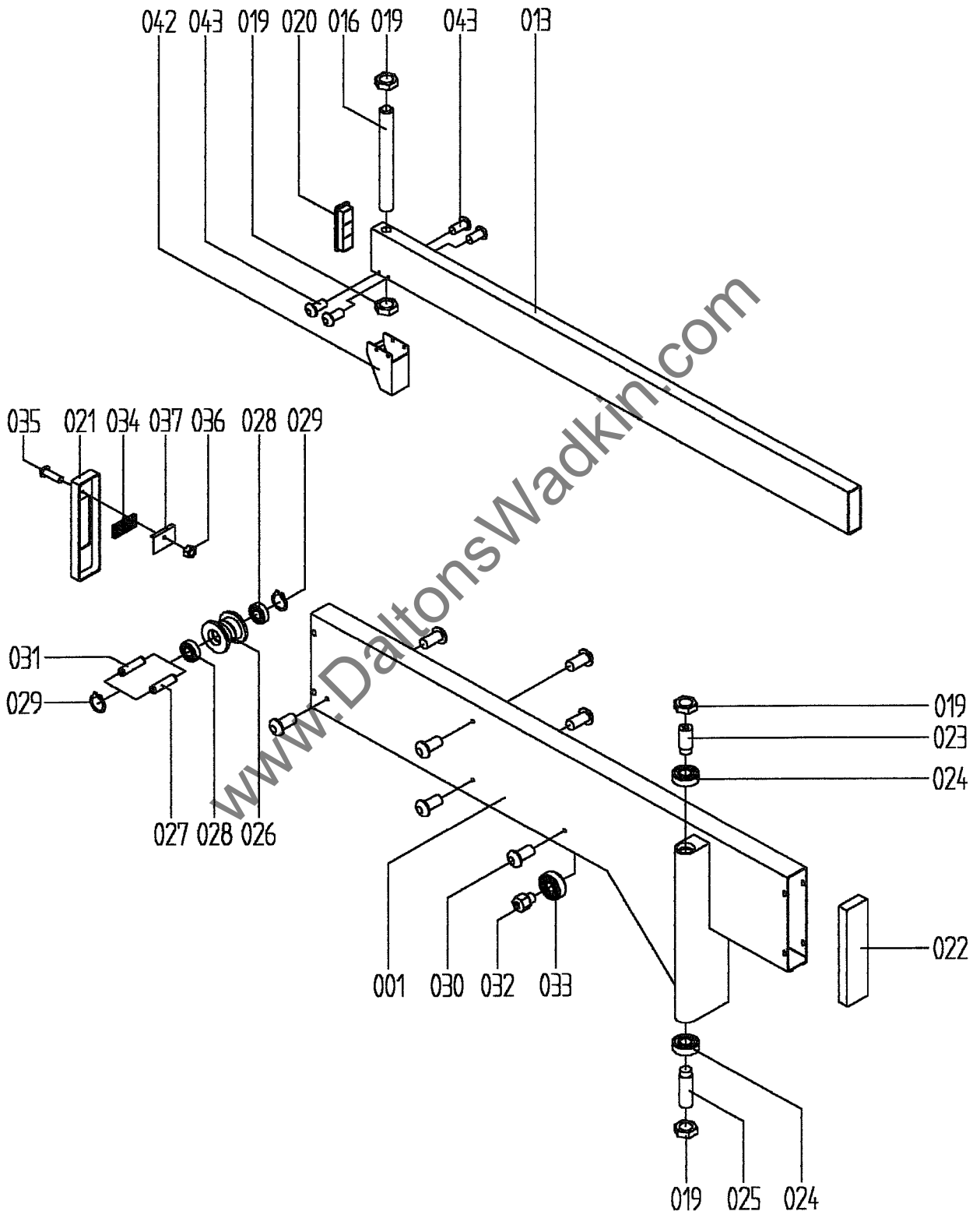
## 5. Scoring saw unit

## Spare parts list 013 Version 1.00/93

Pos.	Article No.	Designation	Pos.	Article No.	Designation
001	F9327.0790	scoring unit housing	078	K3100.0204	eye bolt M10x60
003	K3200.0016	hexagonal nut M20	079	F8812.0910	bolt
004	F9327.0520	front flange	080	F8812.0890	adjusting spindle
005	F9327.0510	scoring unit shaft	081	K3200.0027	washer A4.3
006	F9327.0570	pulley 50Hz	082	K6120.0011	gear motor
006	F9327.0580	pulley 60Hz	083	K3200.0013	circlip A10x1
007	F8812.0970	washer	084	F8812.0900	mounting
008	K3100.0129	hexagon cap screw M8x16	085	K3200.0007	washer A13
009	K3500.0009	drive belt, scoring unit	086	K3100.0205	headless set screw M4x6
011	K3300.0023	ball bearing 6203 2RS	087	K3100.0031	cheese head screw M4x25
014	F9327.0560	spacer block 2	088	F8812.0920	base plate
016	B8812.0091	lever, height adjustment			
018	F9327.0530	retaining ring 1			
019	K3200.0001	washer A6.4			
022	F9327.0720	washer			
023	K3200.0072	hexagonal nut M20x1.5			
024	B8812.0070	scoring unit cradle F45			
024	B9327.0090	scoring unit cradle F90			
025	K3100.0198	hexagon cap screw M6x30			
026	B9327.0610	adjusting spindle, lateral adjustment			
027	F9327.0620	set collar			
028	K3700.0052	socket spanner			
031	K3200.0035	washer R6.4			
035	K3100.0199	headless set screw M6x8			
041	B9327.0070	motor base plate			
044	K3200.0018	hexagonal nut M6			
045	K6120.0010	scoring unit motor 0.75kW/400V			
046	F9327.0650	motor pulley 50Hz			
046	F9327.0660	motor pulley 60Hz			
047	F8812.0980	washer			
050	B9327.0130	scoring unit locking			
051	K3100.0201	headless set screw M6x16			
055	F9327.0600	guide, adjusting spindle			
056	K3100.0017	securing pin 5x20			
057	K3200.0073	washer A4.3			
058	K3100.0202	hexagon cap screw M4x10			
059	B9327.0080	centering bolt M20			
060	K3200.0016	hexagonal nut M20			
061	K3200.0066	serrated lock washer I21			
062	F9327.0780	bracket			
063	K3100.0089	hexagon cap screw M6x16			
064	K3200.0057	circlip A17x1			
065	K3100.0022	hexagon cap screw M6x20			
066	K3100.0058	countersunk screw M6x25			
067	K3100.0043	cheese head screw M6x16			
068	K3100.0190	hexagon cap screw M8x10			
069	F9327.1001	pressure piece d6*5-layer			
072	K3600.0006	gas pressure damper 50N			
073	F9327.0710	scoring unit shaft (left)			
074	K3200.0074	supporting ring			
075	K3100.0203	headless set screw M12x25			
076	K3200.0075	hexagonal nut M12			
077	K3200.0021	circlip A20x1.2			

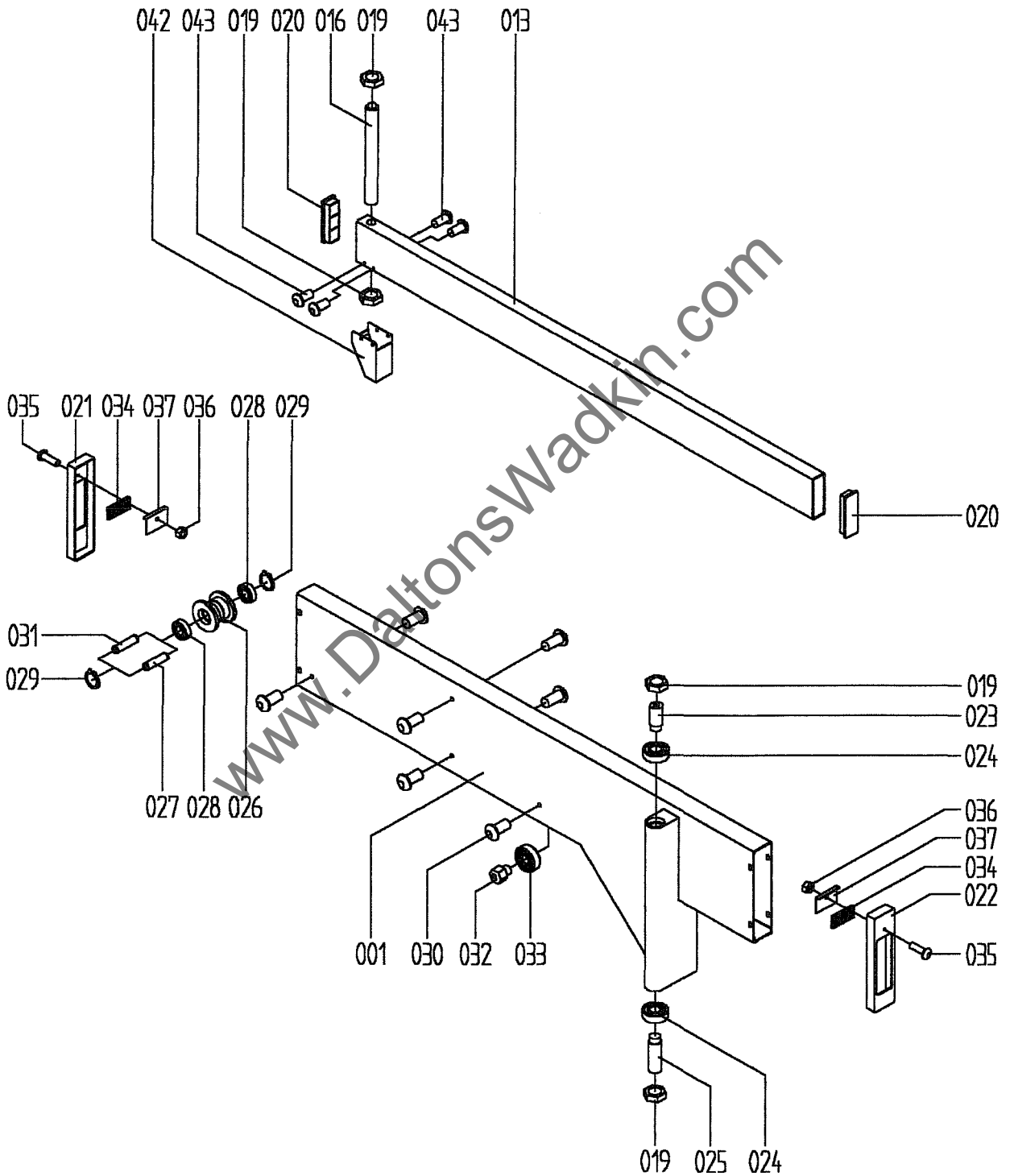
6. Swinging arm  
6.1 F types  
6.1.1 Up to 2800 mm cutting length

Spare parts list 052  
Version 1.00/93



6.1.2 As from 3200 mm cutting length

Spare parts list 052  
Version 1.00/93



**6. Swinging arm**  
**6.1 F types**

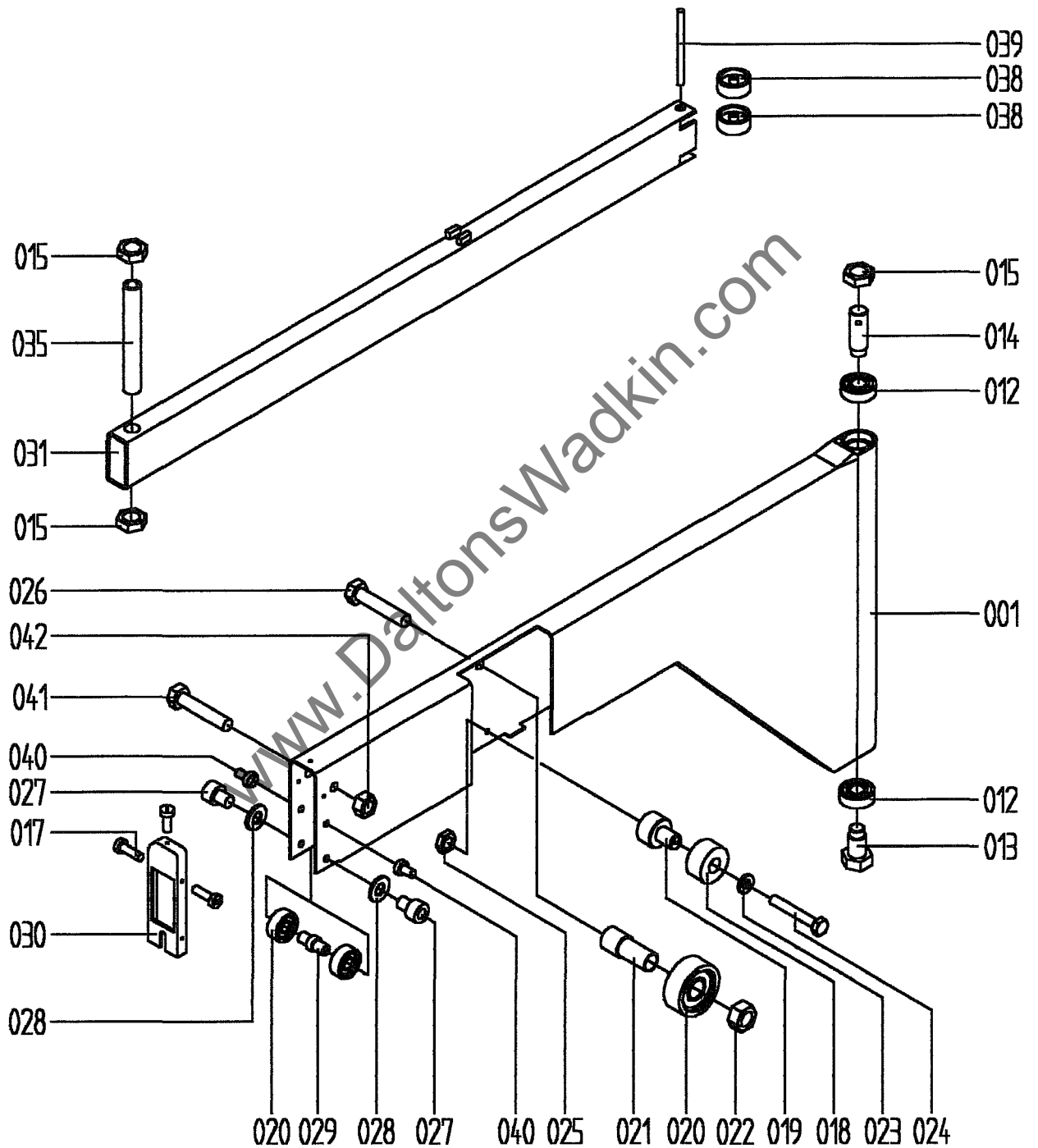
**Spare parts list 052**  
**Version 1.00/93**

<b>Pos.</b>	<b>Article No.</b>	<b>Designation</b>
001	B9305.0052	swinging arm housing
013	B9305.0060	telescopic tube
016	B9305.0090	support bolt
019	K3200.0016	hexagonal nut M20
020	K3700.0003	square plug 120x40
021	F9305.0550	cover 1
022	F9305.0570	cover 3
023	F9305.0610	top swinging arm bolt
024	K3300.0005	ball bearing 6203zz
025	F9305.0600	bottom swinging arm bolt
026	F9305.0511	guide roller
027	F9305.0521	axis 1 for guide roller
028	K3300.0006	ball bearing 6002 RS1
029	K3200.0017	circlip 15x1
030	K3100.0005	oval head screw M8x16
031	F9305.0531	axis 2 for guide roller
032	F9305.0540	cam
033	F9321.0830	plastic rollers
034	K3700.0004	cleaning brush
035	K3100.0033	oval head screw M5x16
036	K3200.0003	hexagonal nut M5
037	F9305.0590	clamping bracket
042	F9305.0620	telescopic tube stop
043	K3100.0002	oval head screw M5x10

www.DaltonsWadkin.com

## 6.2 TKR types

Spare parts list 004  
Version 1.00/93



## 6.2 TKR types

Spare parts list 004  
Version 1.00/93

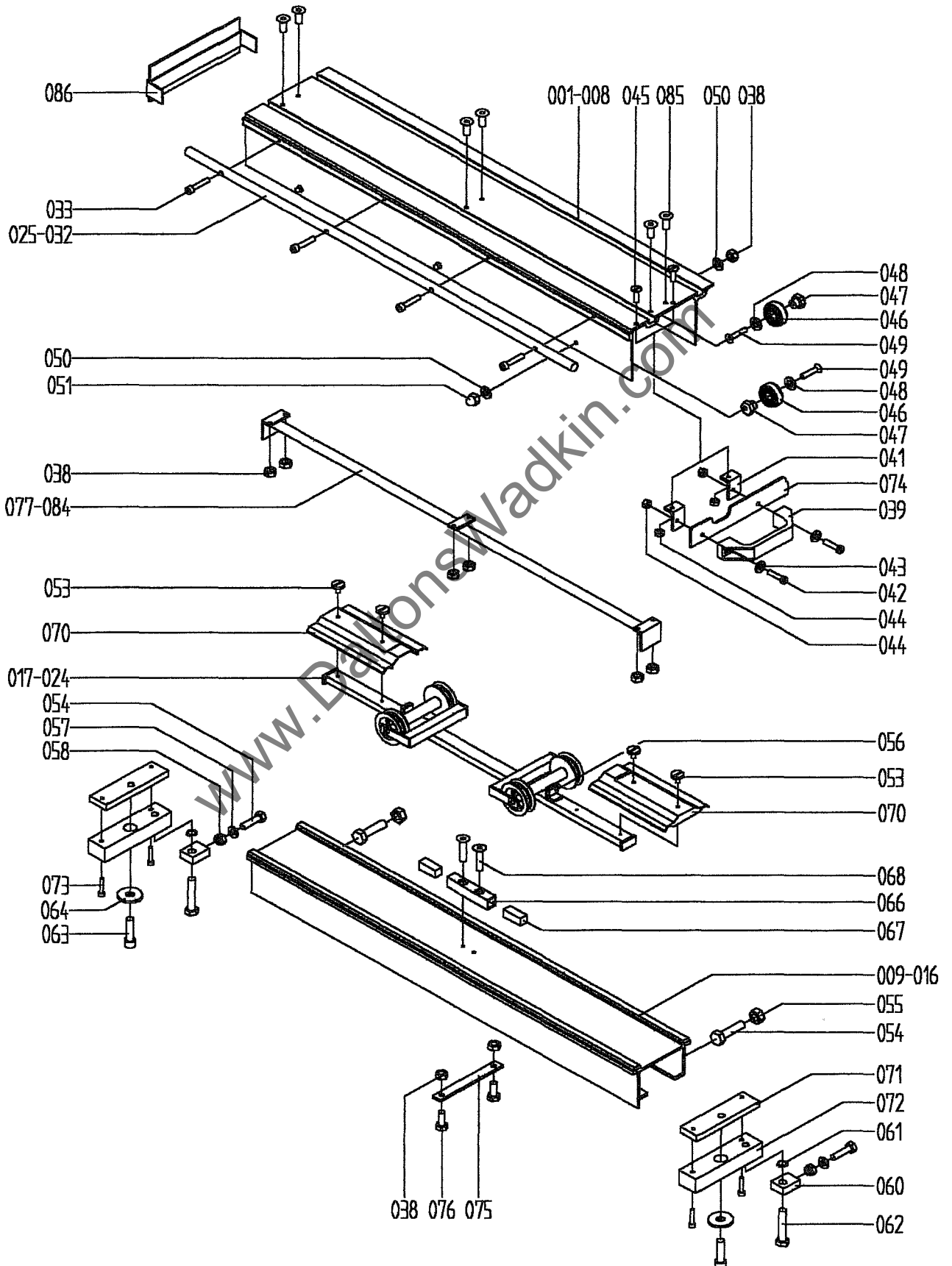
Pos.	Article No.	Designation
001	F8917.5001	swinging arm housing
012	K3300.0005	ball bearing 6203ZZ
013	F8917.0900	bottom swinging arm bolt
014	F8917.1000	top swinging arm bolt
015	K3200.0016	hexagonal nut M20
017	K3100.0034	sheet metal screw M3.9x13
018	F8917.0100	Polyamide roller
019	F8917.0600	eccentric support roller
020	K3300.0007	ball bearing 6202zz, covered
021	F8917.0700	bush
022	K3200.0006	hexagonal nut M12
023	K3200.0001	washer A6.4
024	K3100.0035	hexagon cap screw M6x40
025	K3200.0018	hexagonal nut M6
026	K3100.0036	hexagon cap screw M12x60
027	K3100.0037	cheese head screw with IS M8x10
028	K3200.0005	washer A8.4
029	F8917.0800	eccentric, double support roller
030	F8917.1100	open cover
031	B8917.6000	telescopic tube 1400
035	B8917.4000	supporting bolt
038	K3500.0004	plastic roller U45
039	F8917.0101	round6; 80 layer
040	K3100.0038	cheese head screw M3x5
041	K3100.0039	hexagon cap screw M10x60
042	K3200.0009	hexagonal nut M10

www.DaltonsWadkin.com



7. Sliding table  
7.1 Phenolic rails  
7.1.1 Type 90

Spare parts list 071  
Version 1.00/93



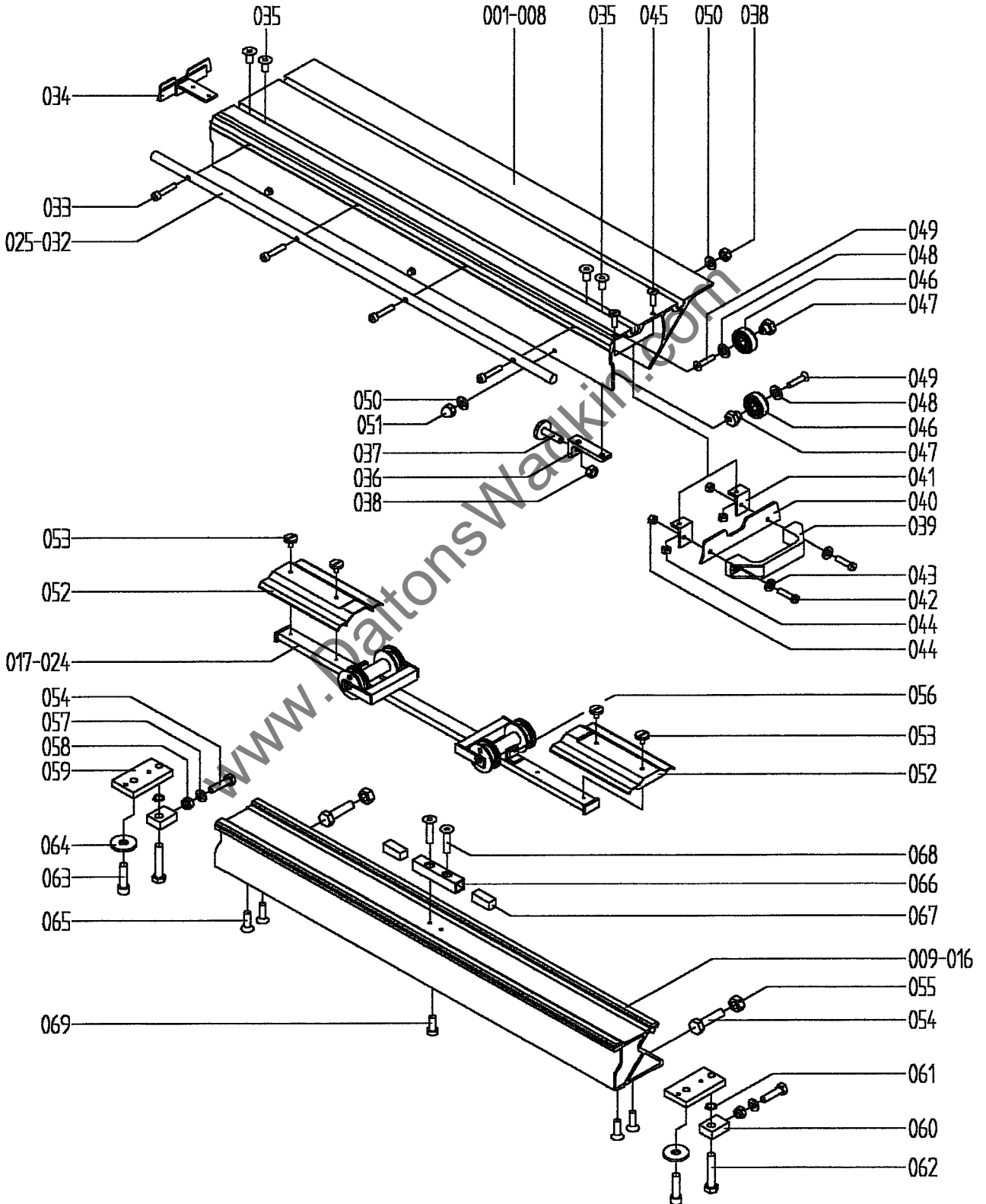
**7. Sliding table**  
**7.1 Phenolic rails**  
**7.1.1 Type 90**

**Spare parts list 071**  
**Version 1.00/93**

Pos.	Article No.	Designation	Pos.	Article No.	Designation
001	B9333.0520	top carriage 1400mm	057	K3200.0002	washer A10.5
002	B9333.0530	top carriage 2500mm	058	K3200.0008	lock nut M10
003	B9333.0540	top carriage 2800mm	060	F9318.0520	flat steel bar
004	B9333.0550	top carriage 3200mm	061	K3200.0013	locking ring 10x1
005	B9333.0560	top carriage 3800mm	062	K3100.0148	hexagon cap screw M12x65
006	B9333.0570	top carriage 4300mm	063	K3100.0149	cheese head screw M12x45
007	B9333.0580	top carriage 5000mm	064	K3200.0056	washer R13.5
008	B9333.0590	top carriage 6000mm	066	F9321.0810	buffer
009	B9333.0600	top carriage 1400mm	067	F9321.0820	stop for buffer
010	B9333.0610	undercarriage 2500mm	068	K3100.0059	countersunk screw M8x35
011	B9333.0620	undercarriage 2800mm	070	F9333.0680	cover MW90
012	B9333.0630	undercarriage 3200mm	071	F93230510	flat steel bar
013	B9333.0640	undercarriage 3800mm	072	F93230520	flat steel bar
014	B9333.0650	undercarriage 4300mm	073	K3100.0012	cheese head screw M6x30
015	B9333.0660	undercarriage 5000mm	074	F9333.0690	panel
016	B9333.0670	undercarriage 6000mm	075	F9333.0700	flat steel bar
017	B9333.0050	middle carriage 1400mm	076	K3100.0008	hexagon cap screw M8x20
018	B9333.0051	middle carriage 2500mm	077	B9333.0060	tube 1400mm
019	B9333.0052	middle carriage 2800mm	078	B9333.0061	tube 2500mm
020	B9333.0053	middle carriage 3200mm	079	B9333.0062	tube 2800mm
021	B9333.0054	middle carriage 3800mm	080	B9333.0063	tube 3200mm
022	B9333.0055	middle carriage 4300mm	081	B9333.0064	tube 3800mm
023	B9333.0056	middle carriage 5000mm	085	K3100.0150	countersunk screw M8x20
024	B9333.0057	middle carriage 6000mm	086	B9333.0070	cover plate
025	F9321.0690	round bar 1400mm			
026	F9321.0700	round rod 2500mm			
027	F9321.0710	round bar 2800mm			
028	F9321.0720	round bar 3200mm			
029	F9321.0730	round bar 3800mm			
030	F9321.0740	round bar 4300mm			
031	F9321.0750	round bar 5000mm			
032	F9321.0760	round bar 6000mm			
033	K3100.0012	cheese head screw M6x30			
038	K3200.0036	hexagonal nut M8			
039	F9321.1050	handle			
041	F9321.0780	support for cover plate			
042	K3100.0145	cheese head screw M5x20			
043	K3200.0044	washer A6.4			
044	K3200.0003	hexagonal nut M5			
045	K3100.0021	countersunk screw M5x16			
046	F9321.0830	subroller			
047	F9321.0840	cam			
048	K3200.0002	washer A10.5			
049	K3100.0146	countersunk screw M8x38			
050	K3200.0055	serrated lock washer d8.4			
051	K3200.0020	cap nut M8			
053	K3100.0141	flat head screw M5x10			
054	K3100.0147	hexagon cap screw M10x40			
055	K3200.0009	hexagonal nut M10			
056	F9321.0800	rubber			

**7. Sliding table**  
**7.1 Phenolic rails**  
**7.1.2 Type 45**

**Spare parts list 072**  
**Version 1.00/93**



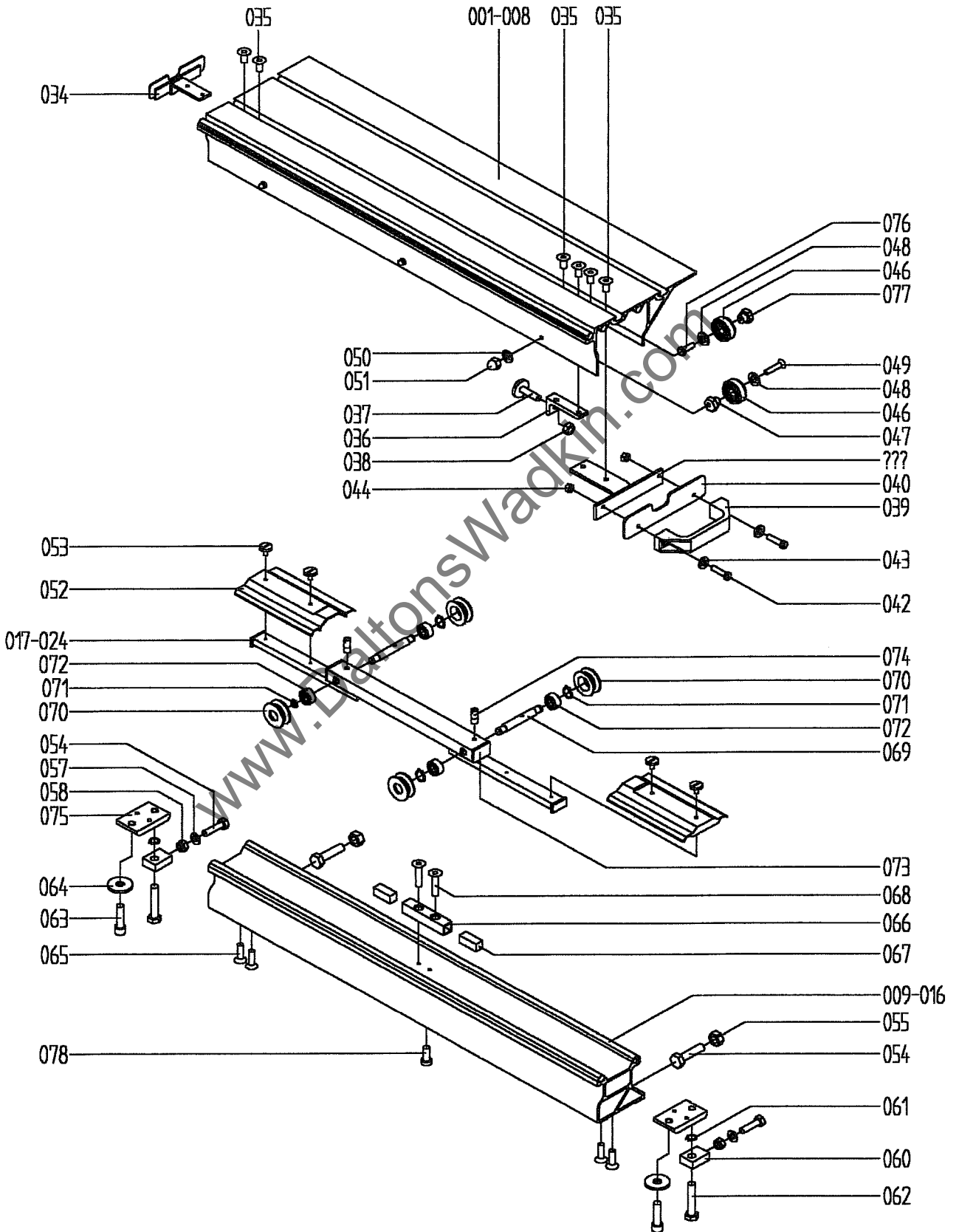
**7. Sliding table**  
**7.1 Phenolic rails**  
**7.1.2 Type 45**

**Spare parts list 072**  
**Version 1.00/93**

Pos.	Article No.	Designation	Pos.	Article No.	Designation
001	B9321.0530	top carriage 1400mm	051	K3200.0020	cap nut M8
002	B9321.0540	top carriage 2500mm	052	F9321.0790	cover MW45
003	B9321.0550	top carriage 2800mm	053	K3100.0141	countersunk screw M5x10
004	B9321.0560	top carriage 3200mm	054	K3100.0147	hexagon cap screw M10x40
005	B9321.0570	top carriage 3800mm	055	K3200.0009	hexagonal nut M10
006	B9321.0580	top carriage 4300mm	056	F9321.0800	rubber
007	B9321.0590	top carriage 5000mm	057	K3200.0002	washer A10.5
008	B9321.0600	top carriage 6000mm	058	K3200.0008	locking nut M10
009	B9321.0610	undercarriage 1400mm	059	F9318.0560	flat steel bar
010	B9321.0620	undercarriage 2500mm	060	F9318.0520	flat steel bar
011	B9321.0630	undercarriage 2800mm	061	K3200.0013	locking ring 10x1
012	B9321.0640	undercarriage 3200mm	062	K3100.0148	hexagon cap screw M12x65
013	B9321.0650	undercarriage 3800mm	063	K3100.0149	cheese head screw M12x45
014	B9321.0660	undercarriage 4300mm	064	K3200.0056	washer R13.5
015	B9321.0670	undercarriage 5000mm	065	K3100.0152	countersunk screw M6x20
016	B9321.0680	undercarriage 6000mm	066	F9321.0810	buffer
017	B9321.0050	middle carriage 1400mm	067	F9321.0820	stop for buffer
018	B9321.0051	middle carriage 2500mm	068	K3100.0059	countersunk screw M8x35
019	B9321.0052	middle carriage 2800mm	069	K3100.0153	cheese head screw M8x20
020	B9321.0053	middle carriage 3200mm			
021	B9321.0054	middle carriage 3800mm			
022	B9321.0055	middle carriage 4300mm			
023	B9321.0056	middle carriage 5000mm			
024	B9321.0057	middle carriage 6000mm			
025	F9321.0690	round bar 1400mm			
026	F9321.0700	round bar 2500mm			
027	F9321.0710	round bar 2800mm			
028	F9321.0720	round bar 3200mm			
029	F9321.0730	round bar 3800mm			
030	F9321.0740	round bar 4300mm			
031	F9321.0750	round bar 5000mm			
032	F9321.0760	round bar 6000mm			
033	K3100.0012	cheese head screw M6x30			
034	B9321.0058	cover panel F45			
035	K3100.0007	countersunk screw M8x16			
036	F9321.0520	stop			
037	K3100.0151	countersunk screw M8x30			
038	K3200.0036	hexagonal nut M8			
039	F9321.1050	handle			
040	F9321.0770	cover panel			
041	F9321.0780	angle			
042	K3100.0145	cheese head screw M5x20			
043	K3200.0044	washer A6.4			
044	K3200.0003	hexagonal nut M5			
045	K3100.0021	countersunk screw M5x16			
046	F9321.0830	subroller			
047	F9321.0840	cam			
048	K3200.0002	washer A10.5			
049	K3100.0146	countersunk screw M8x38			
050	K3200.0055	serrated lock washer d8.4			

7. Sliding table  
7.2 Steel guide rails

Spare parts list 073  
Version 1.00/93



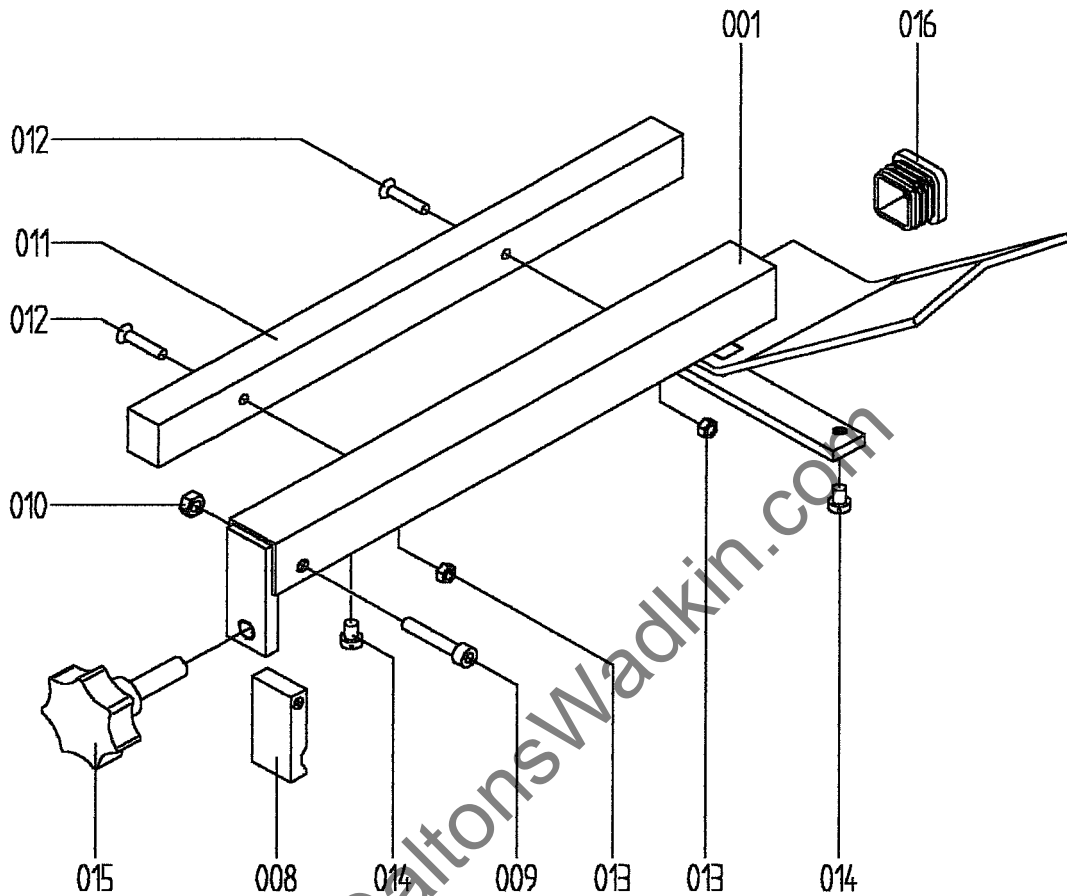
**7. Sliding table**  
**7.2 Steel guide rails**

**Spare parts list 073**  
**Version 1.00/93**

Pos.	Article No.	Designation	Pos.	Article No.	Designation
001	B9322.0520	top carriage 1400mm	053	K3100.0141	flat head screw M5x10
002	B9322.0530	top carriage 2500mm	054	K3100.0147	hexagon cap screw M10x40
003	B9322.0540	top carriage 2800mm	055	K3200.0009	hexagonal nut M10
004	B9322.0550	top carriage 3200mm	057	K3200.0002	washer A10.5
005	B9322.0560	top carriage 3800mm	058	K3200.0008	locking nut M10
006	B9322.0570	top carriage 4300mm	060	F9318.0520	flat steel bar
007	B9322.0580	top carriage 5000mm	061	K3200.0013	locking ring 10x1
008	B9322.0590	top carriage 6000mm	062	K3100.0148	hexagon cap screw M12x65
009	B9322.0600	top carriage 1400mm	063	K3100.0149	cheese head screw M12x45
010	B9322.0610	undercarriage 2500mm	064	K3200.0056	washer R13.5
011	B9322.0620	undercarriage 2800mm	065	K3100.0152	countersunk screw M6x20
012	B9322.0630	undercarriage 3200mm	066	F9321.0810	buffer
013	B9322.0640	undercarriage 3800mm	067	F9321.0820	Stop for buffer
014	B9322.0650	undercarriage 4300mm	068	K3100.0059	countersunk screw M8x35
015	B9322.0660	undercarriage 5000mm	069	K3100.0153	cheese head screw M8x20
016	B9322.0670	undercarriage 6000mm	070	F9120.0522	roller
017	B9322.0060	middle carriage 1400mm	071	K3100.0057	locking ring 17x1
018	B9322.0061	middle carriage 2500mm	072	K3300.0017	ball bearings 5203
019	B9322.0062	middle carriage 2800mm	073	K3700.0037	square stopper 60x40
020	B9322.0063	middle carriage 3200mm	074	K3100.0154	set screw M8
021	B9322.0064	middle carriage 3800mm	075	F9318.0560	flat steel bar
022	B9322.0065	middle carriage 4300mm	076	K3100.0155	hexagon cap screw M8x25
023	B9322.0066	middle carriage 5000mm	077	F9322.0770	cam 1
024	B9322.0067	middle carriage 6000mm	078	K3100.0153	hexagon cap screw M8x20
025	F9322.0680	round bar 1400mm			
026	F9322.0690	round bar 2500mm			
027	F9322.0700	round bar 2800mm			
028	F9322.0710	round bar 3200mm			
029	F9322.0720	round bar 3800mm			
030	F9322.0730	round bar 4300mm			
031	F9322.0740	round bar 5000mm			
032	F9322.0712	round bar 6000mm			
033	K3100.0012	cheese head screw M6x30			
034	B9322.0050	cover panel F45			
035	K3100.0007	countersunk screw M8x16			
036	F9321.0520	stop			
037	K3100.0151	countersunk screw M8x30			
038	K3200.0036	hexagonal nut M8			
039	F9321.1050	handle			
040	F9322.0760	cover panel St.			
042	K3100.0145	cheese head screw M5x20			
043	K3200.0044	washer A6.4			
044	K3200.0003	hexagonal nut M5			
046	F9321.0830	subroller			
047	F9321.0840	cam			
048	K3200.0002	washer A10.5			
049	K3100.0146	countersunk screw M8x38			
050	K3200.0055	serrated lock washer d8.4			
051	K3200.0020	cap nut M8			
052	F9321.0790	cover MW45			

## 8. Clamping shoe

Spare parts list 053  
Version 1.00/93

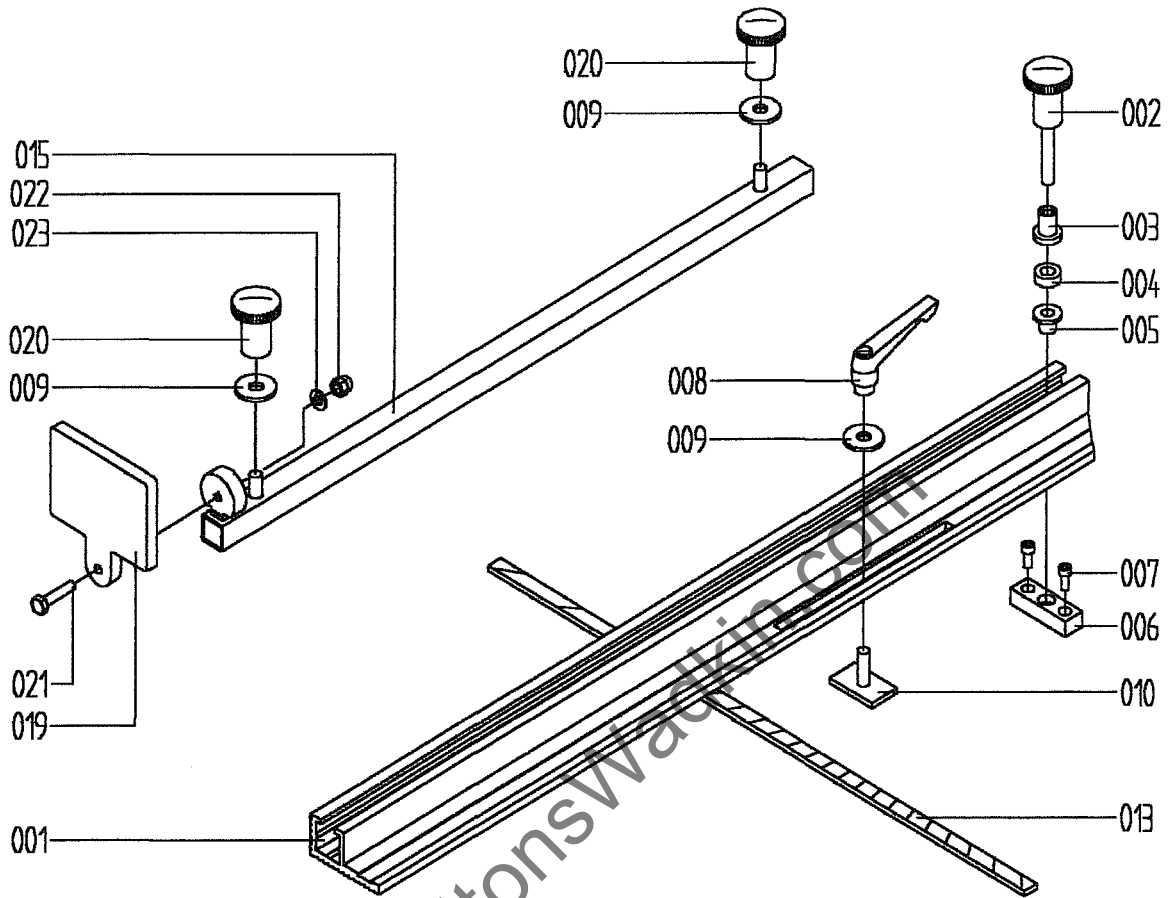


### Pos. Article No. Designation

001	B9014.0051	clamping shoe (F45 phenolic rail)
001	B9111.0050	clamping shoe (steel guide rail)
001	B9015.0051	clamping shoe (F90)
008	B9014.0540	clamping shoe (F45 phenolic rail)
008	F9111.0540	clamping shoe (steel guide rail)
008	F9014.0540	clamping piece
009	K3100.0040	cheese head screw with IS M6x35
010	K3200.0018	hexagonal nut M6
011	F9014.0550	stop fence (F45 phenolic rail)
011	F9111.0550	stop fence (steel guide rail)
011	F9015.0510	stop fence (F90)
012	K3100.0041	countersunk screw M5x25
013	K3200.0003	hexagonal nut M5
014	K3100.0042	PA cheese head screw M6x8
015	K3700.0005	star grip handle M10x35
016	K3700.0006	square plug 30x30

## 9. Mitre fence

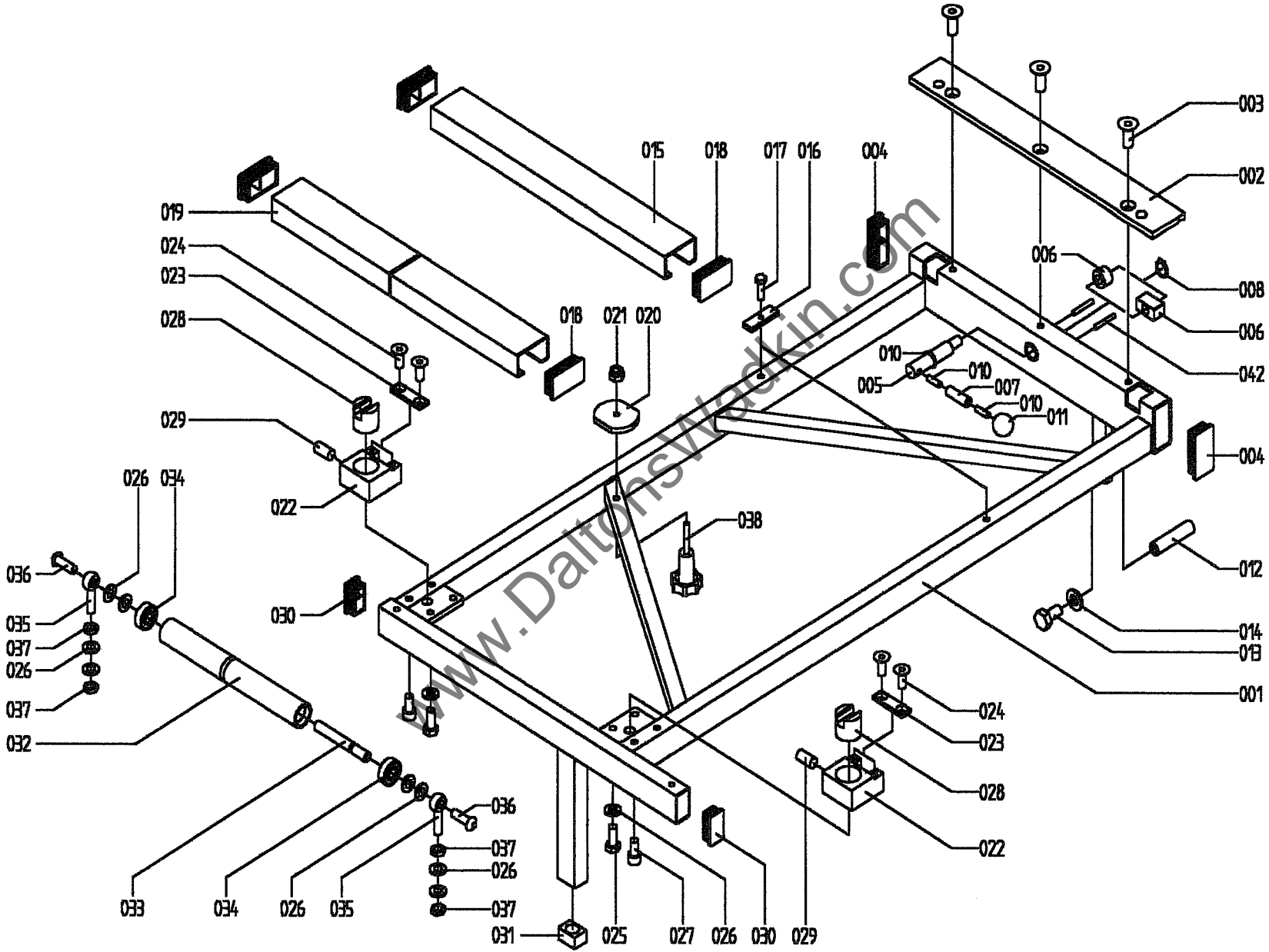
Spare parts list 005  
Version 1.00/93



Pos.	Article No.	Designation.
001	F9008.0550	fence section F45
001	F9008.0551	fence section F90
002	K3700.0007	knurled screw M10
003	F9008.0580	clamping bush
004	K3300.0008	thrust bearing
005	F9008.0590	bush
006	F9008.0600	pivot block
007	K3100.0043	cheese head screw M6x16
008	K3700.0008	clamping bar
009	K3200.0019	washer R11
010	B9008.0060	hammer head screw
013	F9008.0610	mitre scale
015	B9008.0050	stop rail
019	F9008.0570	mitre fence stop
020	K3700.0009	knurled nut M10
021	K3100.0011	hexagon cap screw M8x35
022	K3200.0020	cap nut M8
023	K3200.0005	washer A8.4



10. Cross slide



## 10. Cross slide

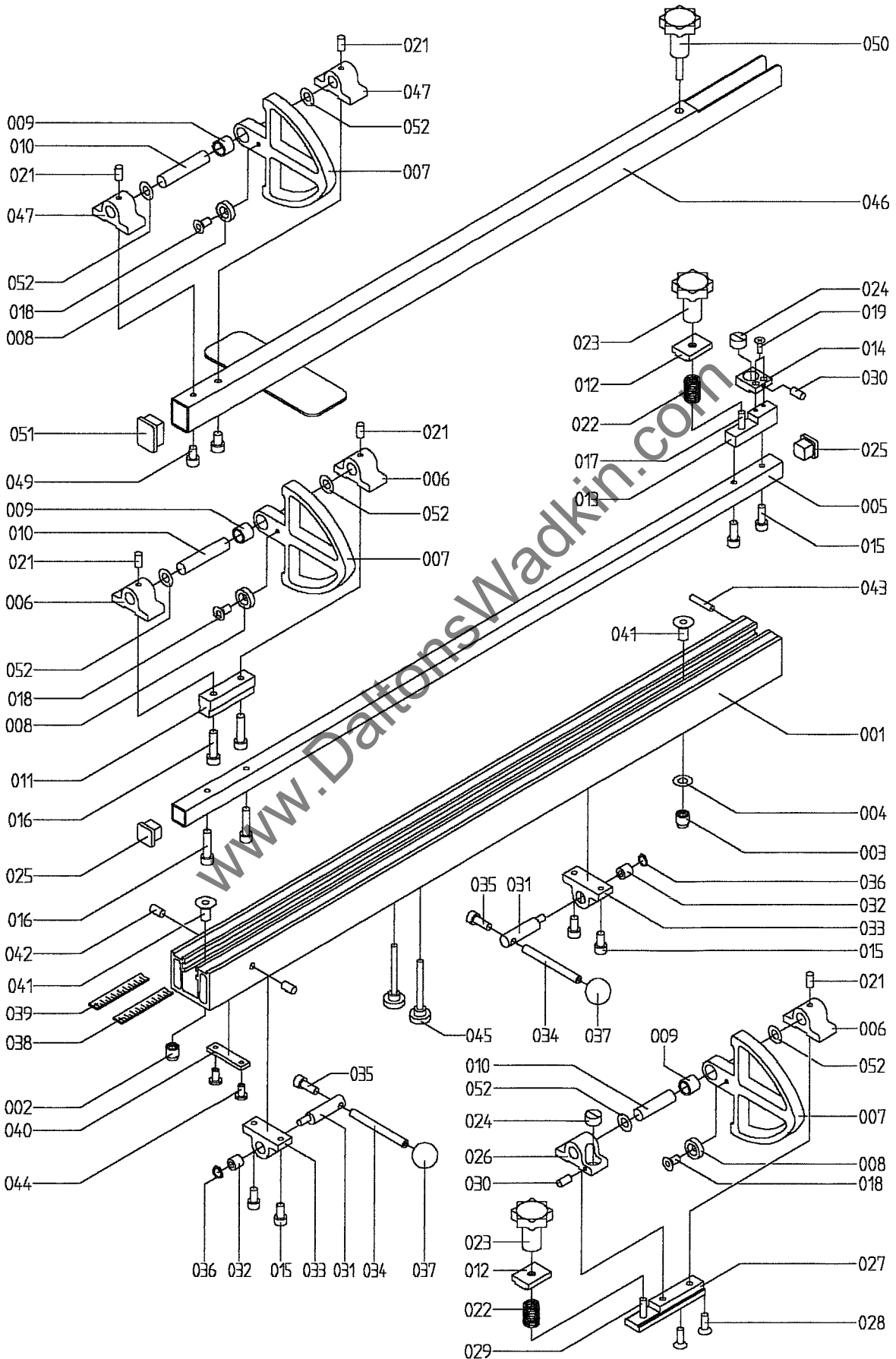
Spare parts list 066  
Version 1.00/93

Pos.	Article No.	Designation
001	B9317.0050	cross slide frame
002	F9317.0530	guide fence
003	K3100.0044	countersunk screw M10x25
004	K3700.0010	square plug 80x40
005	F9317.0540	eccentric shaft
006	F9317.0560	clamping element
006	F9317.0550	clamping element (ST)
007	F9317.0660	tube
008	K3200.0014	locking ring 14x1
009	K3200.0021	locking ring 20x1.2
010	K3100.0045	setscrew M8x25
011	K3700.0011	spherical knob M8
012	F9317.0570	stop tube F45
012	F9317.0580	stop tube F90
013	K3100.0046	hexagon cap screw M10x20
014	K3200.0002	washer A10.5
015	F9317.0620	C profile 1
016	F9317.0640	clamping element 1
017	K3100.0022	hexagon cap screw M6x20
018	K3700.0012	square plug 70x40
019	F9317.0630	C profile 2
020	F9317.0650	clamping element 2
021	K3200.0022	locking nut M8
022	F9317.0510	guide mounting 90°
023	F9317.0680	clamping element 3
024	K3100.0007	countersunk screw M8x16
025	K3100.0008	hexagon cap screw M8x20
026	K3200.0005	washer A8.4
027	K3100.0047	cheese head screw with IS M8x12
028	F9317.0520	guide 90°
029	K3100.0048	setscrew M8x16
030	K3700.0013	square plug 50x30
031	F9317.0670	rubber guide
032	F9317.0590	roller element
033	F9317.0600	axle for roller
034	K3300.0009	deep groove ball bearing 6201/2RS1
035	K3100.0049	eye bolt M8x30
036	K3100.0050	oval head screw M8x25
037	K3200.0023	hexagonal nut M8
038	B9317.0130	star grip handle
039	K3100.0051	straight grooved pin

# 11. Cross cut fence

## 11.1 Standard version

### Spare parts list 063 Version 1.00/93

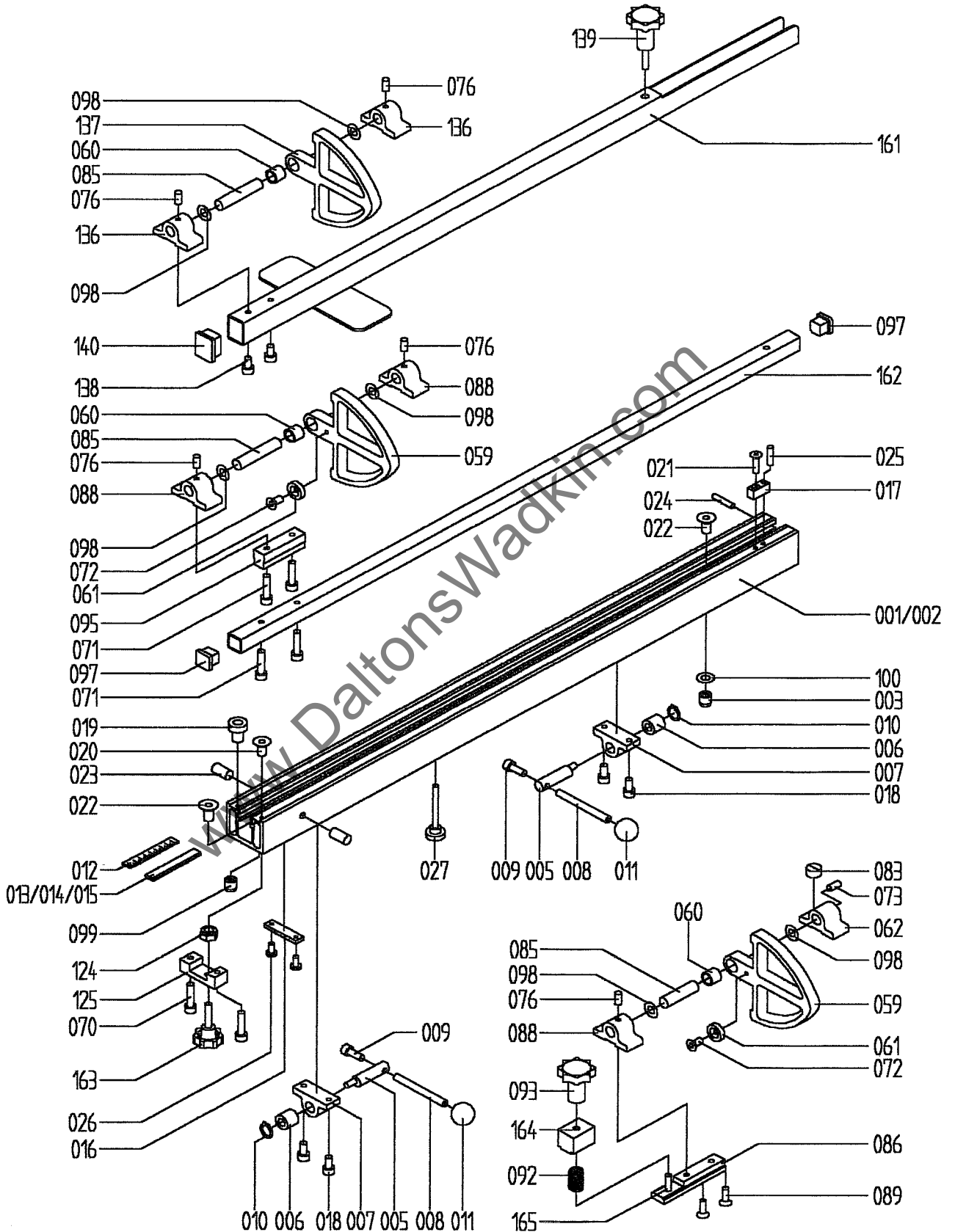


**11. Cross cut fence**  
**11.1 Standard version**

<b>Pos.</b>	<b>Article No.</b>	<b>Designation</b>
001	F9315.0530	cross cut fence section
002	F9315.0700	centering bush
003	F9315.0540	centering bush
004	K3200.0024	shim ring
005	F9315.0560	tube for stop rail
006	F9315.0710	stop holder
007	F9315.0750	stop flap
008	F9315.0590	stop flap stop
009	F9206.0780	bush
010	F9206.0600	bolt
011	F9206.0720	spacer block
012	F9206.0680	clamping element
013	F9315.0600	mounting for magnifying glass holder
014	F9315.0610	magnifying glass holder
015	K3100.0052	cheese head screw with IS M6x12
016	K3100.0053	cheese head screw with IS M6x25
017	K3100.0054	cheese head screw with IS M8x30
018	K3100.0055	countersunk screw with IS M5x16
019	K3100.0056	countersunk screw M4x15
021	K3100.0057	setscrew M6x8
022	K3600.0002	compression spring
023	K3700.0014	star grip handle M8
024	K3700.0015	magnifying glass
025	K3700.0016	square plug 25x25
026	F9315.0620	stop holder for magnifying glass
027	F9206.0650	guide rail
028	K3110.0058	countersunk screw with IS M6x25
029	K3100.0059	countersunk screw with IS M8x35
030	K3100.0060	setscrew M4x6
031	F9315.0630	cam
032	F9315.0640	roller for cam
033	F9315.0650	holding device for clamping
034	F9315.0660	lever
035	K3100.0043	cheese head screw with IS M6x16
036	K3200.0025	locking ring A8x0.8
037	K3700.0017	spherical knob
038	F9315.0670	measuring rule 0-1475
039	F9315.0680	measuring rule 1365-2910
040	F9315.0691	support
041	K3100.0061	countersunk screw with IS M10x20
042	K3100.0062	PA setscrew M8x16
043	K3100.0063	straight grooved pin 5x30
044	K3100.0064	blind rivet 4.8x12
045	K3700.0018	knurled screw M6x60
046	B9315.0100	extension 1m
047	F9315.0750	stop holder for extension
048	F9315.0760	throwover stop for extension
049	K3100.0065	cheese head screw with IS M6x10
050	K3700.0019	star grip handle M8
051	K3700.0020	square plug 40x30
052	K3200.0026	compensating washer

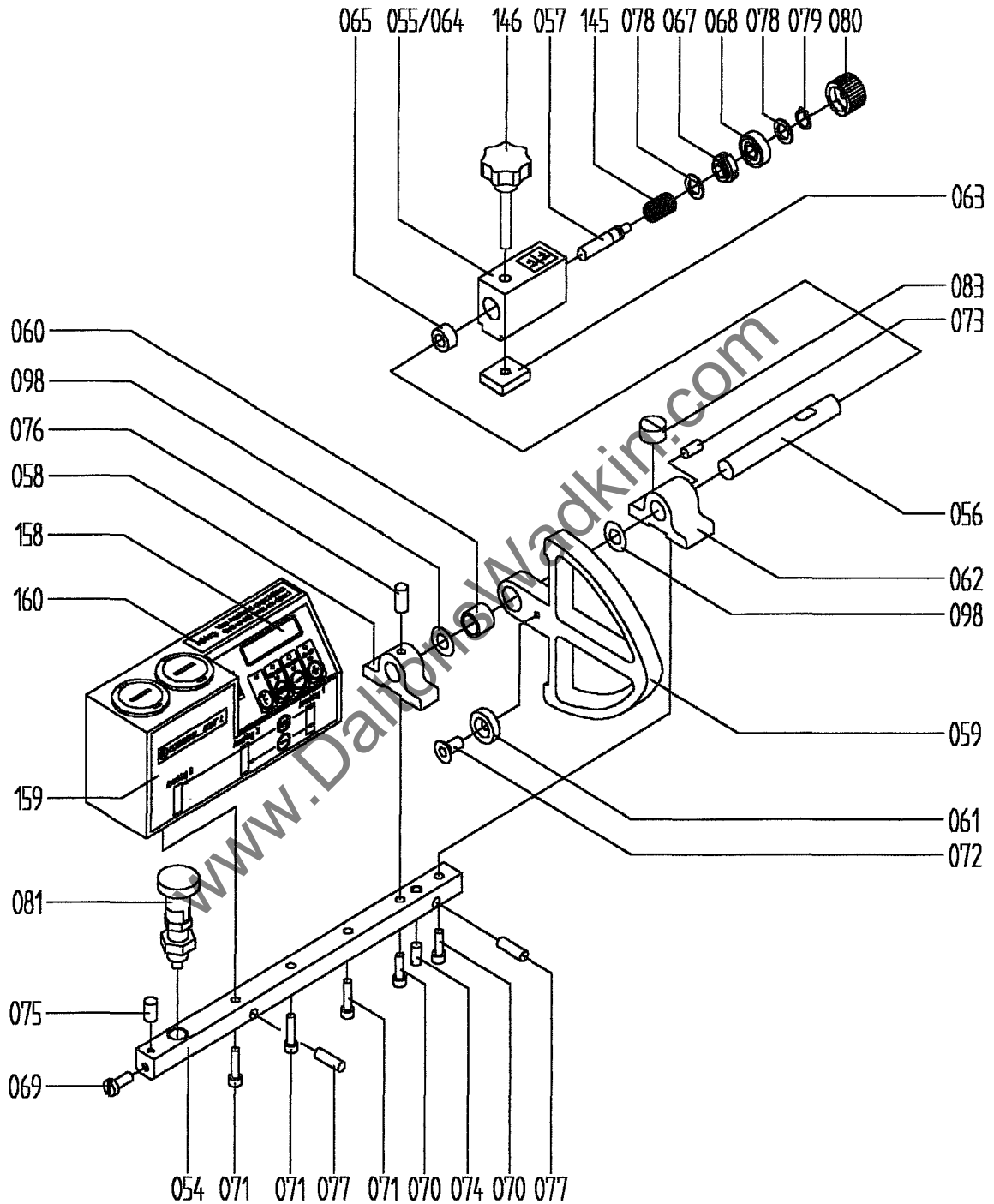
11. Cross cut fence with DIGIT L (optional)  
11.2.1 Cross cut fence

Spare parts list 054  
Version 1.00/93



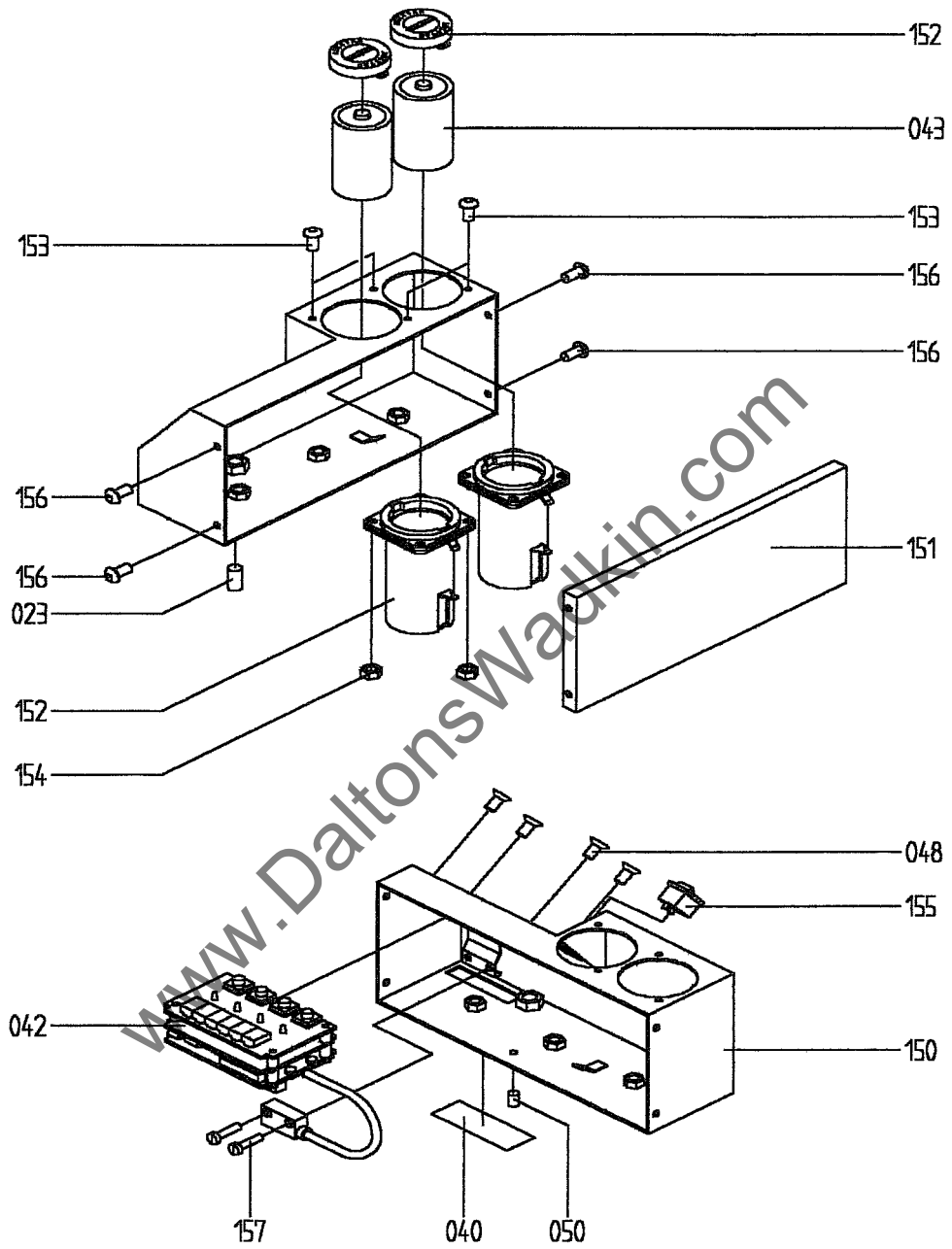
**11. Cross cut fence with DIGIT L (optional)**  
**11.2.2 Single throwover stop**

**Spare parts list 054**  
**Version 1.00/93**



**11. Cross cut fence with DIGIT L (optional)**  
**11.2.3 Electronic display**

**Spare parts list 054**  
**Version 1.00/93**



**11. Cross cut fence**  
**11.2. DIGIT L (optional)**

**Spare parts list 054**  
**Version 1.00/93**

Pos.	Article No.	Designation	Pos.	Article No.	Designation
001	F9206.0871	profile section F90	060	F9206.0780	bush
002	F9206.0741	profile section F45	061	F9315.0590	stop
003	F9315.0540	centering bush	062	F9315.0620	stop holder for magnifying glass
005	F9315.0630	cam	063	F9206.0770	clamping element
006	F9315.0640	roller	064	F9206.0820	foil 4
007	F9315.0650	holding device	067	K3200.0028	grooved nut
008	F9315.0660	lever	068	K3300.0004	ball bearing 6000 ZZ
009	K3100.0043	cheese head screw M6x16	069	K3100.0076	cheese head screw M6x15
010	K3200.0025	locking ring A8x0.8	070	K3100.0077	cheese head screw M6x20
011	K3700.0017	spherical button	071	K3100.0053	cheese head screw M6x25
012	F9206.0850	measuring rule 0-1600mm	072	K3100.0055	countersunk screw M5x16
013	K6730.0002	magnetic tape	073	K3100.0060	setscrew M4x6
014	K1300.0001	bottom rail	074	K3100.0062	setscrew M8x16
015	K1100.0001	cover band	075	K3100.0078	setscrew M5x8
016	F9315.0691	support	076	K3100.0057	setscrew M6x8
017	F9206.0790	stop	077	K3100.0079	parallel pin 6x25
018	K3100.0065	cheese head screw M6x10	078	K3200.0029	shim ring
019	K3100.0066	cheese head screw M6x8	079	K3200.0013	locking ring A10x1
020	K3100.0067	countersunk screw M4x10	080	K3700.0022	turn knob
021	K3100.0068	countersunk screw M5x20	081	K3700.0023	indexing bolt
022	K3100.0061	countersunk screw M10x20	082	K3700.0024	star grip handle M8
023	K3100.0062	PA setscrew M8x16	083	K3700.0015	magnifying glass
024	K3100.0069	straight grooved pin 6x60	085	F9206.0600	bolt
025	K3100.0070	dowel pin 5x20	086	F9206.0650	guide rail
026	K3100.0064	blind rivet 4.8x12	087	F9206.0680	Clamping element
027	K3700.0018	knurled screw M6x60	088	F9206.0710	flap holder
028	K3700.0019	star grip handle M8	089	K3100.0058	countersunk screw M6x25
031	F9206.0860	housing	090	K3100.0059	countersunk screw M8x35
032	F9206.0900	flap	092	K3600.0002	compression spring
033	F9206.0890	battery holder	093	K3700.0014	star grip handle
035	K6540.0002	insulating bush	095	F9206.0720	spacer block
036	F9304.0650	foil 1	096	F9206.0760	tube for stop rail
037	F9304.0800	foil 2	097	K3700.0016	square plug
038	F9304.0850	foil 3	098	K3200.0026	compensating washer
039	F9304.0900	battery foil			
040	F9206.0840	protection foil			
042	K6720.0001	display electronics			
043	K6130.0001	NC battery			
044	K6320.0001	switch			
046	K3100.0071	cheese head screw M4x6			
047	K3100.0072	cheese head screw M4x8			
048	K3100.0073	countersunk screw M3x5			
050	K3100.0074	setscrew M4x6			
051	K3100.0075	setscrew M5x10			
052	K3200.0027	washer A4.3			
053	K3700.0021	knurled screw M5			
054	F9206.0560	flat element			
055	F9206.0510	guide			
056	F9206.0520	bolt			
057	F9206.0530	adjusting spindle			
058	F9206.0540	flap holder			
059	F9206.0750	throwover stop			



**11. Cross cut fence**  
**11.2. DIGIT L**

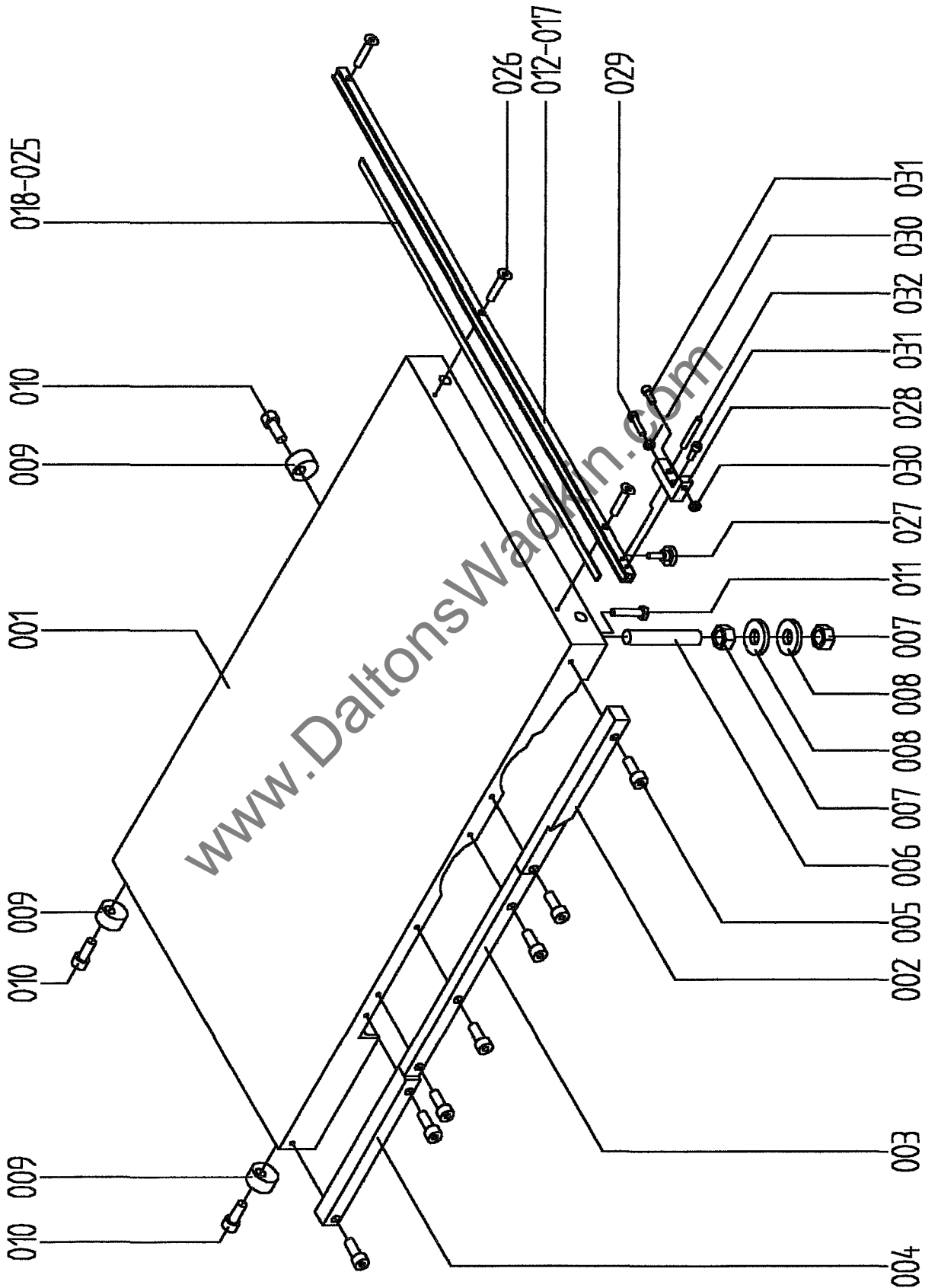
**Spare parts list 054**  
**Version 1.00/93**

<b>Pos.</b>	<b>Article No.</b>	<b>Designation</b>
099	F9315.0700	centering bush
100	K3200.0024	shim ring
114	K3200.0030	hexagonal nut M4
115	K3200.0031	PA washer
117	K6420.0007	flat plug
118	K6420.0008	ring tongue
120	F9206.0880	protective cover
131	B9315.0100	extension 1m
136	F9315.0750	flap holder for extension
137	F9315.0760	throwover stop
138	K3100.0065	cheese head screw M6x10
139	K3700.0019	star grip handle M8
140	K3700.0020	square plug

www.DaltonsWadkin.com

**12. Machine table**  
**12.1. Main table**

**Spare parts list 067**  
**Version 1.00/93**



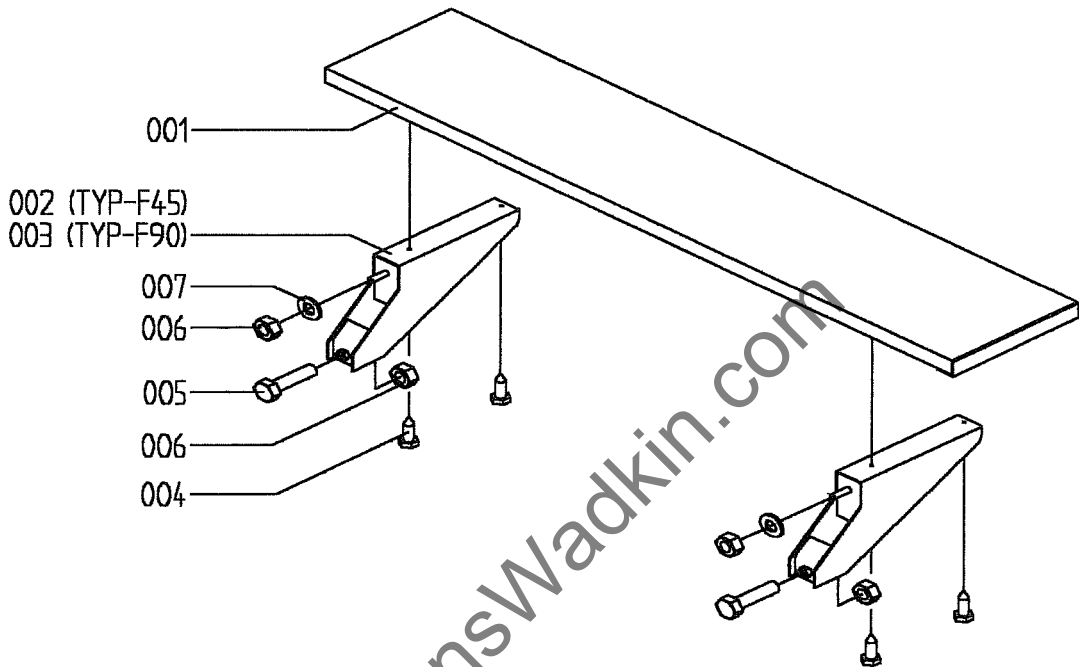
## 12. Machine table

### 12.1. Main table

Pos.	Article No.	Designation
001	F9011.0001	main table
002	F9011.0720	front table strip
003	F9011.0730	middle table strip
004	F9011.0740	rear table strip
005	K3100.0080	cheese head screw M8x25
006	F9011.1001	setscrew M16x100
007	K3200.0032	hexagonal nut M16
008	K3200.0033	washer 17x40x6
009	F9901.0750	cam
010	K3100.0009	cheese head screw M8x20
011	K3100.0081	hexagon cap screw M8x40
012	F9011.0591	measuring rule rail 800
013	F9011.0600	measuring rule rail 1000
014	F9011.0610	measuring rule rail 1300
015	F9011.0611	measuring rule rail 1600
018	F9011.0620	measuring rule 800
019	F9011.0630	measuring rule 1000
020	F9011.0640	measuring rule 1300
021	F9011.0650	measuring rule 1600
022	F9011.0660	measuring rule 800 mm/inch
023	F9011.0670	measuring rule 1000 mm/inch
024	F9011.0680	measuring rule 1300 mm/inch
025	F9011.0690	measuring rule 1600 mm/inch
026	K3100.0082	countersunk screw M6x30
027	K3700.0025	knurled screw M6x20
028	F9303.0570	stop
029	K3100.0053	cheese head screw M6x25
030	K3200.0018	hexagonal nut M6
031	K3100.0077	cheese head screw M6x20
032	K3100.0083	dowel pin 6x45

**12. Machine table**  
**12.2. Main table width extension**  
**12.2.1 TPV800**

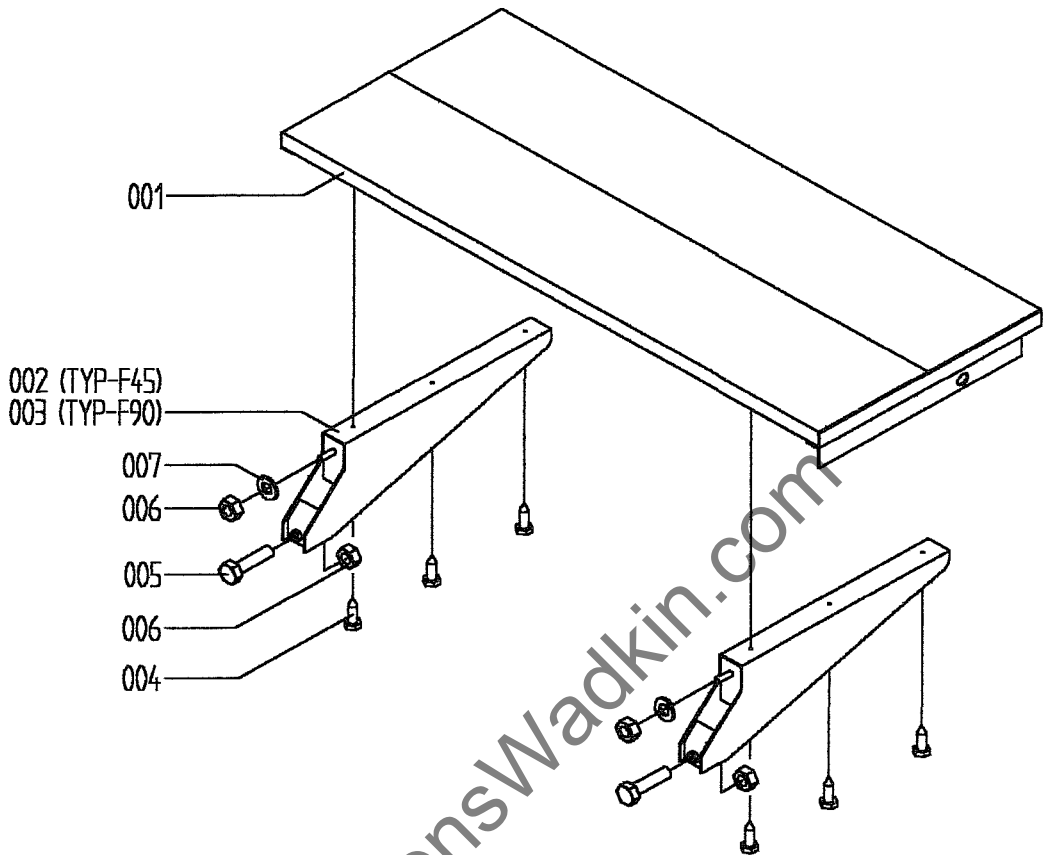
**Spare parts list 055**  
**Version 1.00/93**



Pos.	Article No.	Designation
001	B9308.0020	table support TPV 800
002	B9308.0220	support arm 8 (F45)
003	B9308.0230	support arm 9 (F90)
004	K3100.0155	sheet metal screw B4.8x16
005	K3100.0147	hexagonal cap screw M10x40
006	K3200.0009	nut M10
007	K3200.0002	washer A10.5

## 12.2.2 TPV1000

Spare parts list 055  
Version 1.00/93

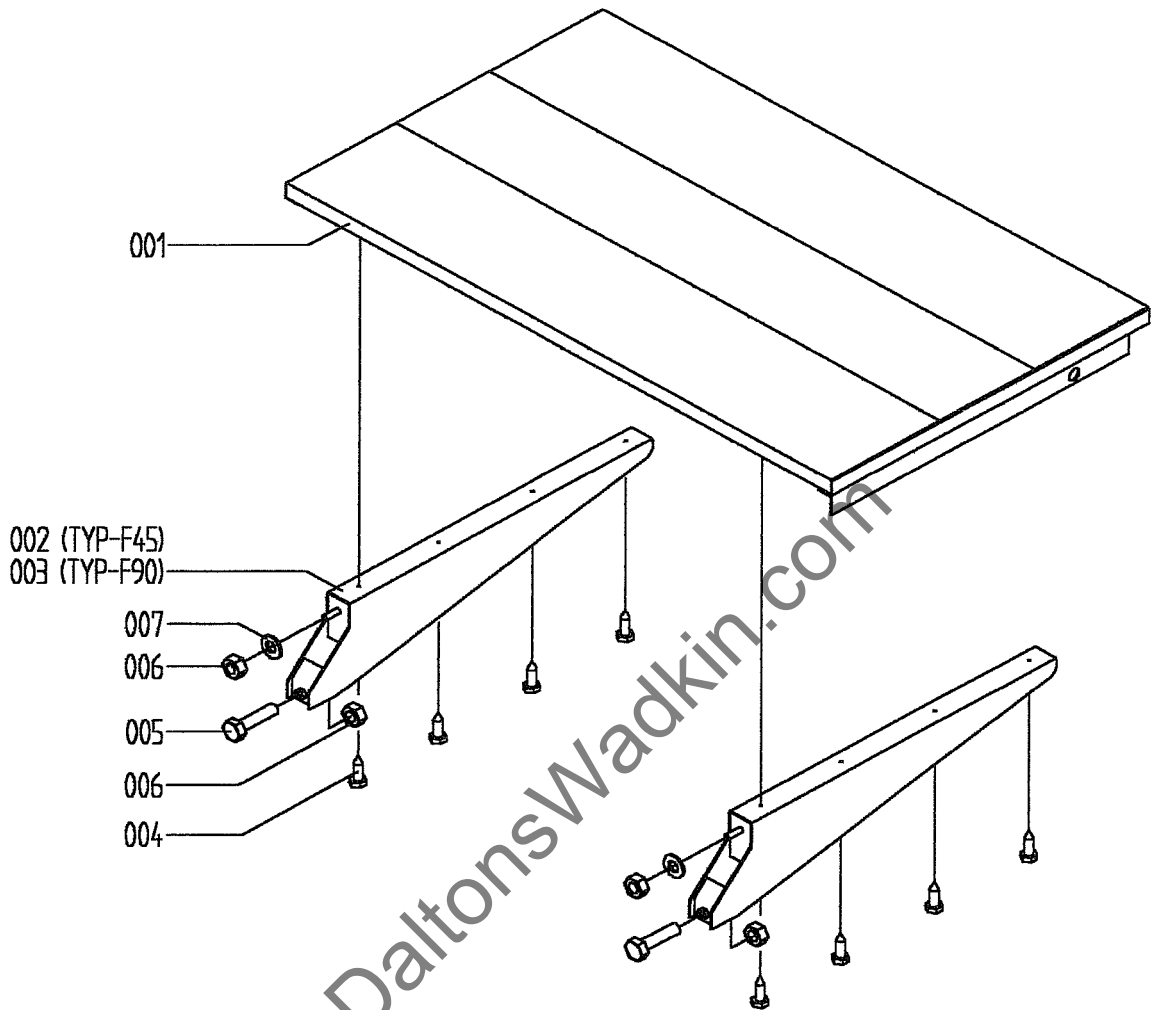


Pos.	Article No.	Designation
------	-------------	-------------

001	B9308.0021	table support TPV 1000
002	B9308.0081	support arm 1 (F45)
003	B9308.0180	support arm 4 (F90)
004	K3100.0155	sheet metal screw B4.8x16
005	K3100.0147	hexagonal cap screw M10x40
006	K3200.0009	nut M10
007	K3200.0002	washer A10.5

### 12.2.3 TPV13000

Spare parts list 055  
Version 1.00/93

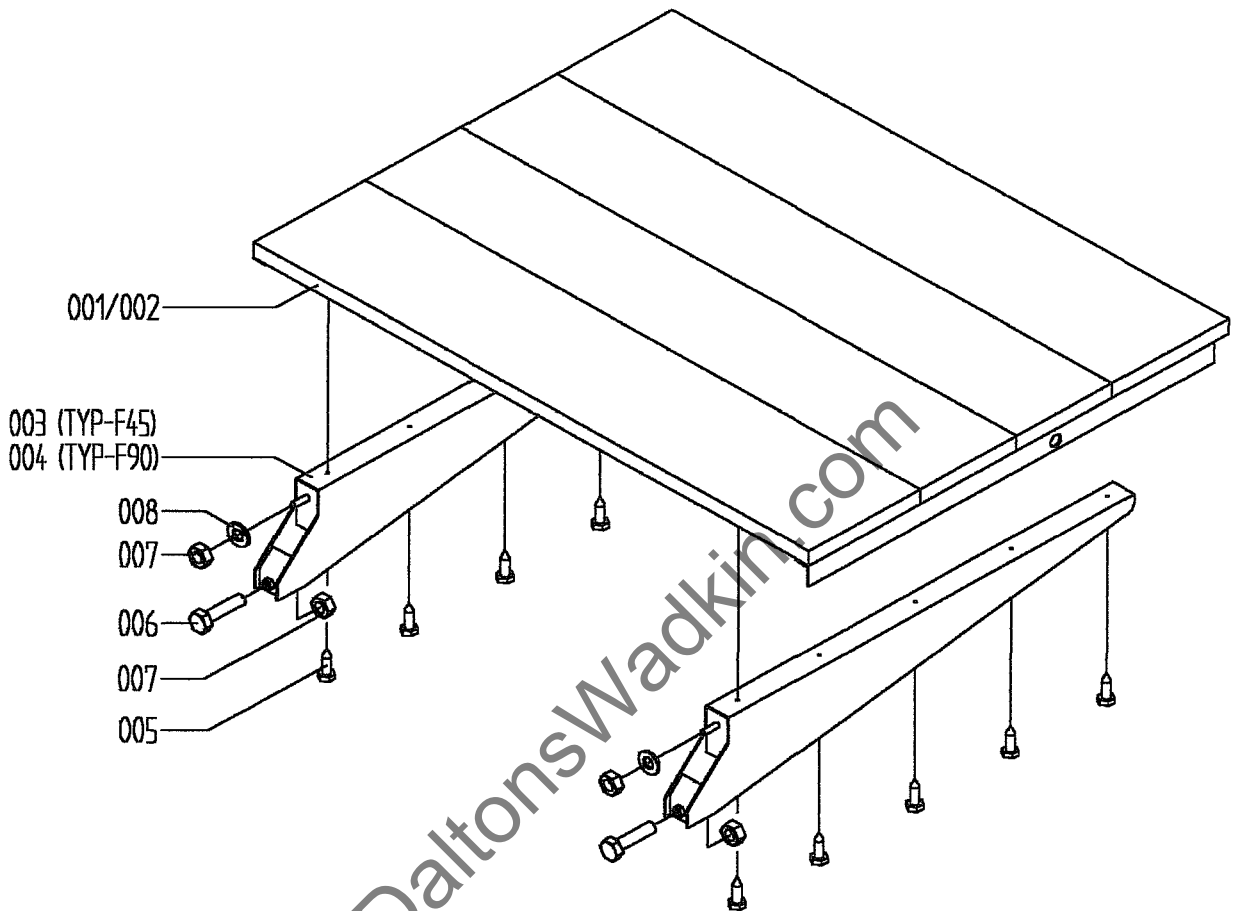


**Pos. Article No. Designation**

- 001 B9308.0022 table support TPV 1300
- 002 B9308.0091 support arm 2 (F45)
- 003 B9308.0190 support arm 5 (F90)
- 004 K3100.0155 sheet metal screw B4.8x16
- 005 K3100.0147 hexagonal cap screw M10x40
- 006 K3200.0009 nut M10
- 007 K3200.0002 washer A10.5

## 12.2.4 TPV1300 POSIT

Spare parts list 055  
Version 1.00/93

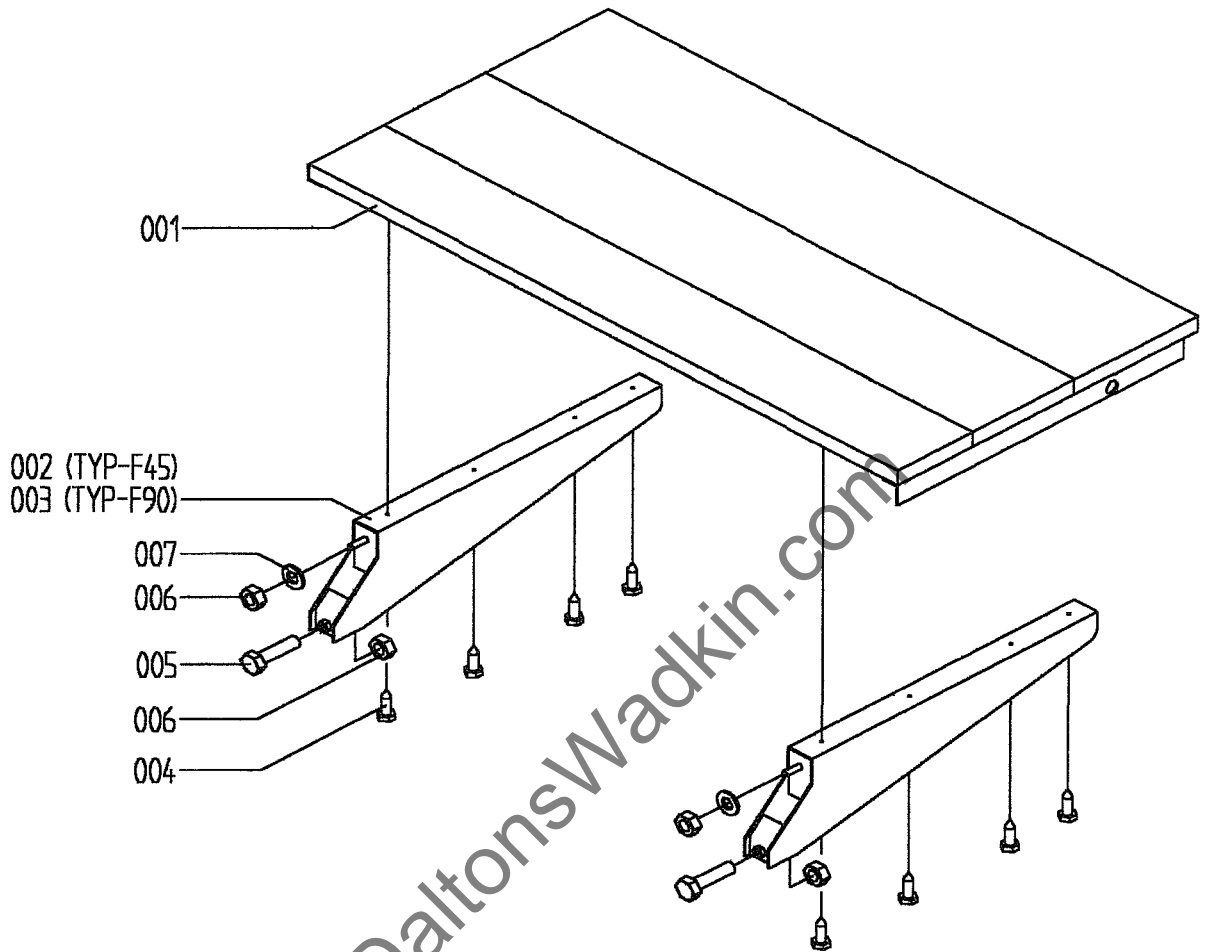


### Pos. Article No. Designation

001	B9308.0023	table support TPV 1300 POSIT
002	B9308.0101	support arm 3 (F45)
003	B9308.0200	support arm 6 (F90)
004	K3100.0155	sheet metal screw B4.8x16
005	K3100.0147	hexagonal cap screw M10x40
006	K3200.0009	nut M10
007	K3200.0002	washer A10.5

## 12.2.5 TPV1000 POSIT

Spare parts list 055  
Version 1.00/93

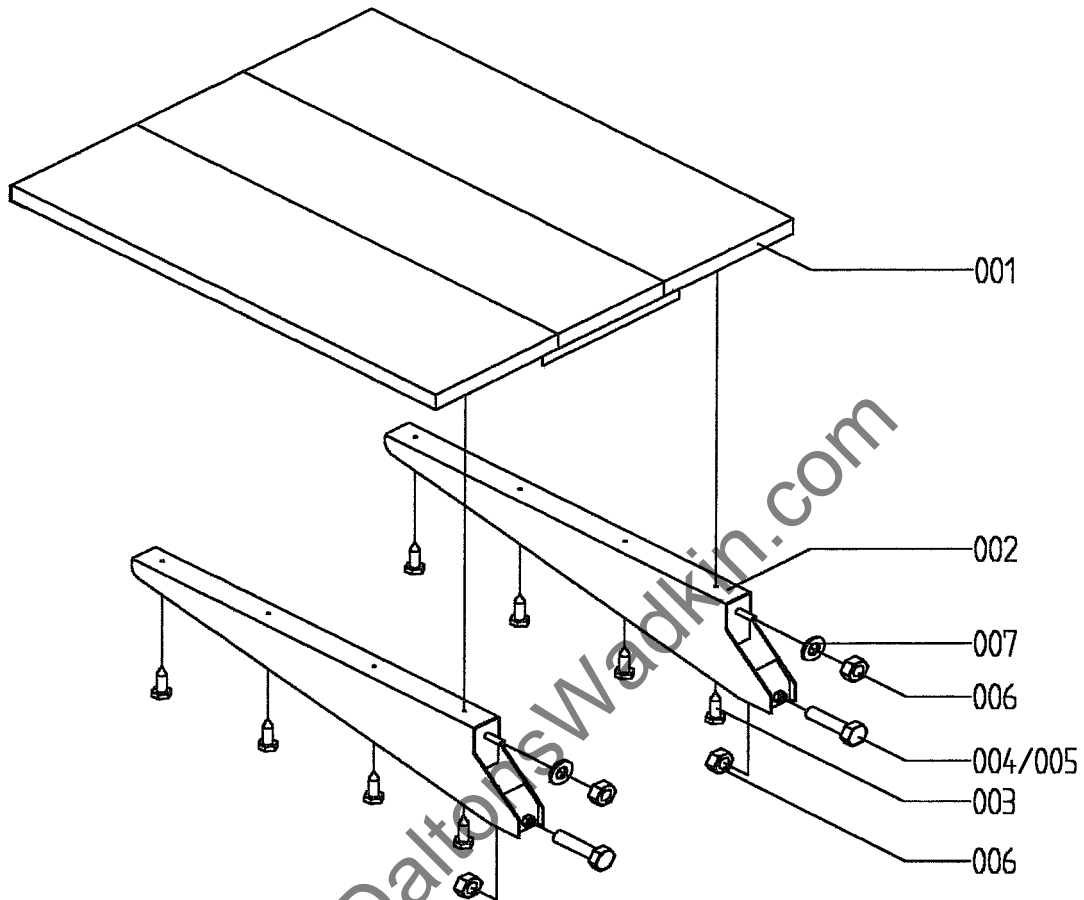


Pos.	Article No.	Designation
001	B9308.0024	table support TPV 1000 POSIT
002	B9308.0210	support arm 7 (F45)
003	B9308.0240	support arm 10 (F90)
004	K3100.0155	sheet metal screw B4.8x16
005	K3100.0147	hexagonal cap screw M10x40
006	K3200.0009	nut M10
007	K3200.0002	washer A10.5



**12.2.3 Main table extension**  
**12.3.1 TPL 800**

**Spare parts list 056**  
**Version 1.00/93**

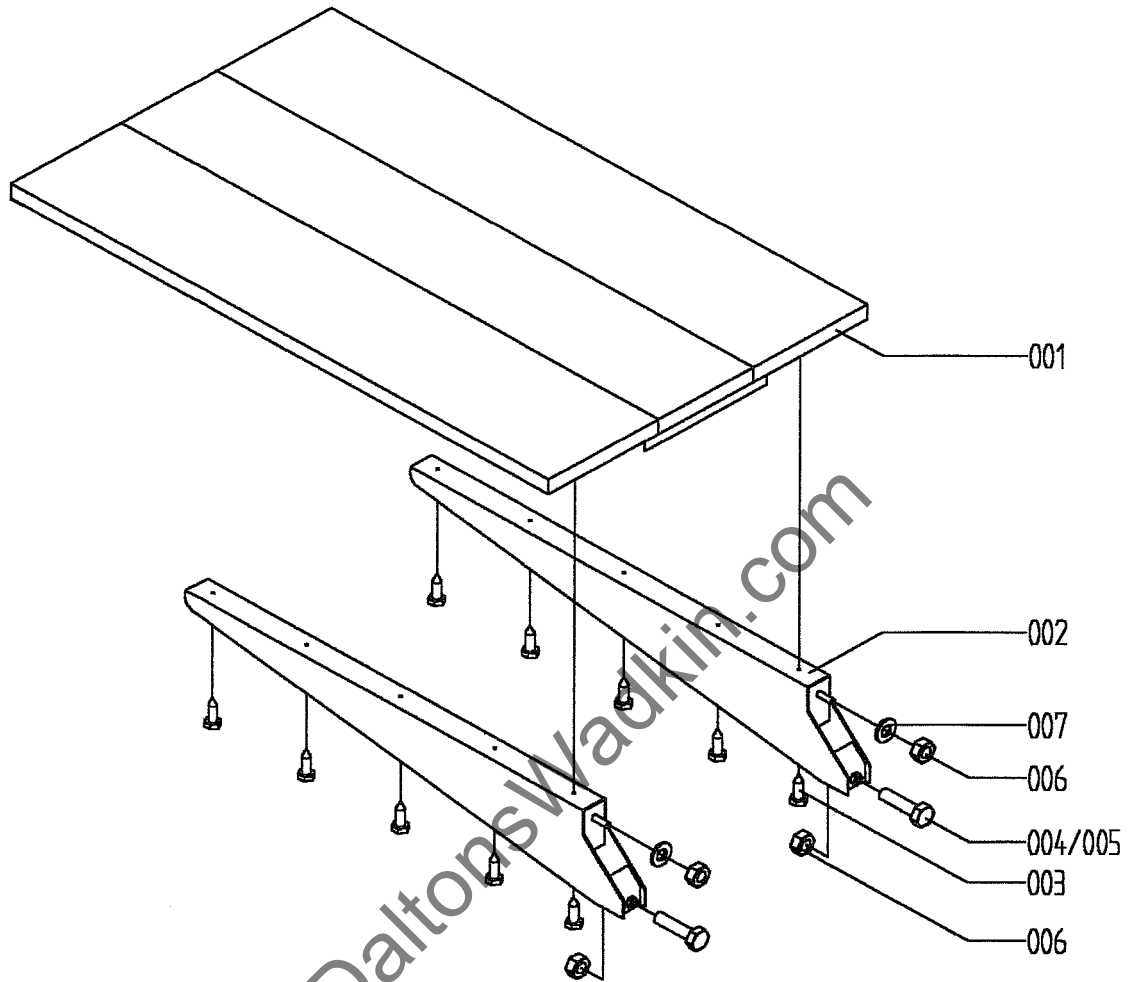


**Pos. Article No. Designation**

001	B9308.0025	table support TPL 800
002	B9308.0091	support arm 2
003	K3100.0155	sheet metal screw B4.8x16
004	K3100.0147	hexagonal cap screw M10x40 (F45)
005	K3100.0156	hexagonal cap screw M 10x75 (F90)
006	K3200.0009	nut M10
007	K3200.0002	washer A10.5

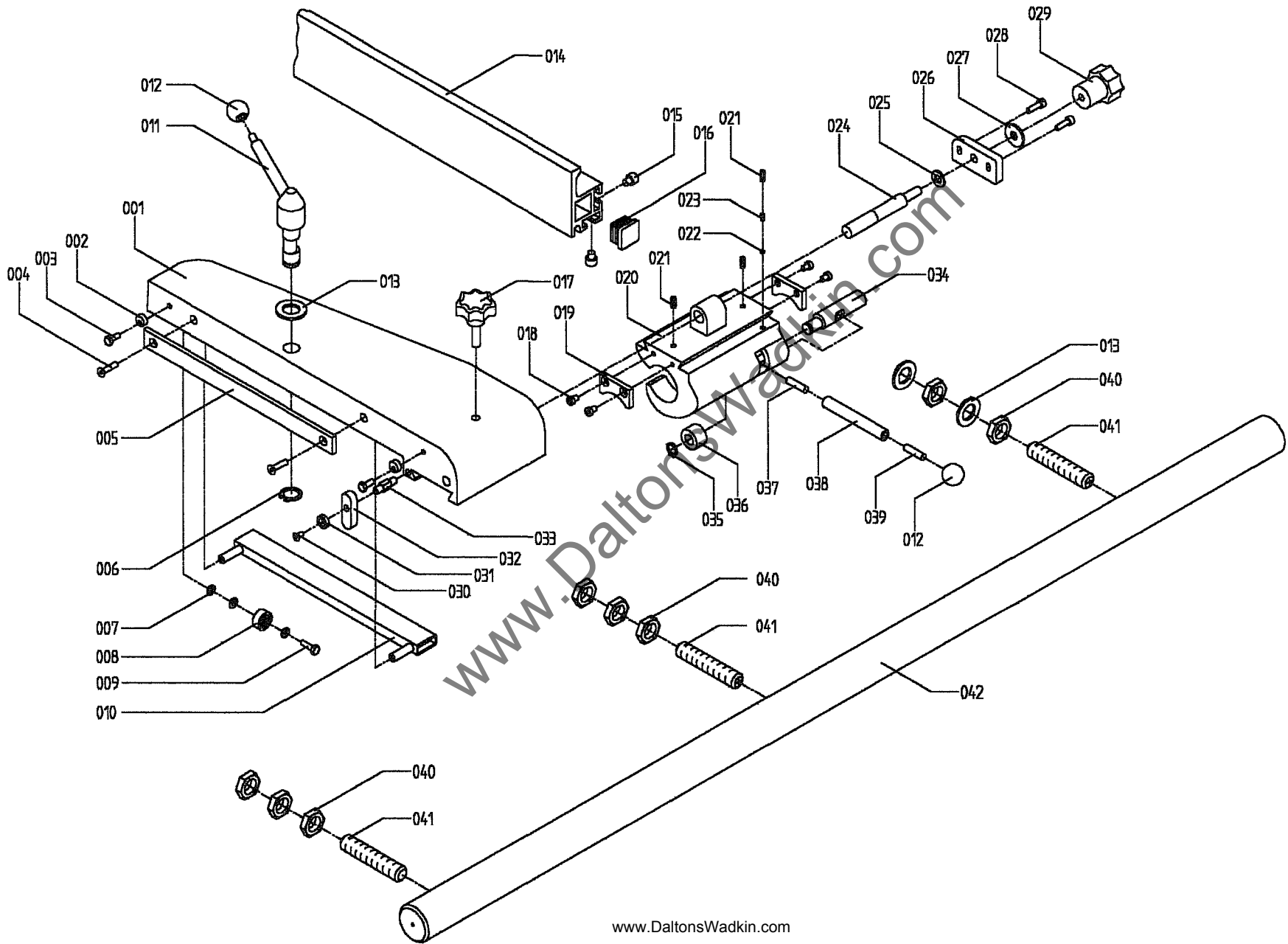
12.3.2 TPL 1200

Spare parts list 056  
Version 1.00/93



**Pos. Article No. Designation**

001	B9308.0026	table support TPL 800
002	B9308.0101	support arm 3
003	K3100.0155	sheet metal screw B4.8x16
004	K3100.0039	hexagonal cap screw M10x60 (F45)
005	K3100.0159	hexagonal cap screw M10x75 (F90)
006	K3200.0009	nut M10
007	K3200.0002	washer A10.5



**13. Rip fence**  
**13.1 Standard version**

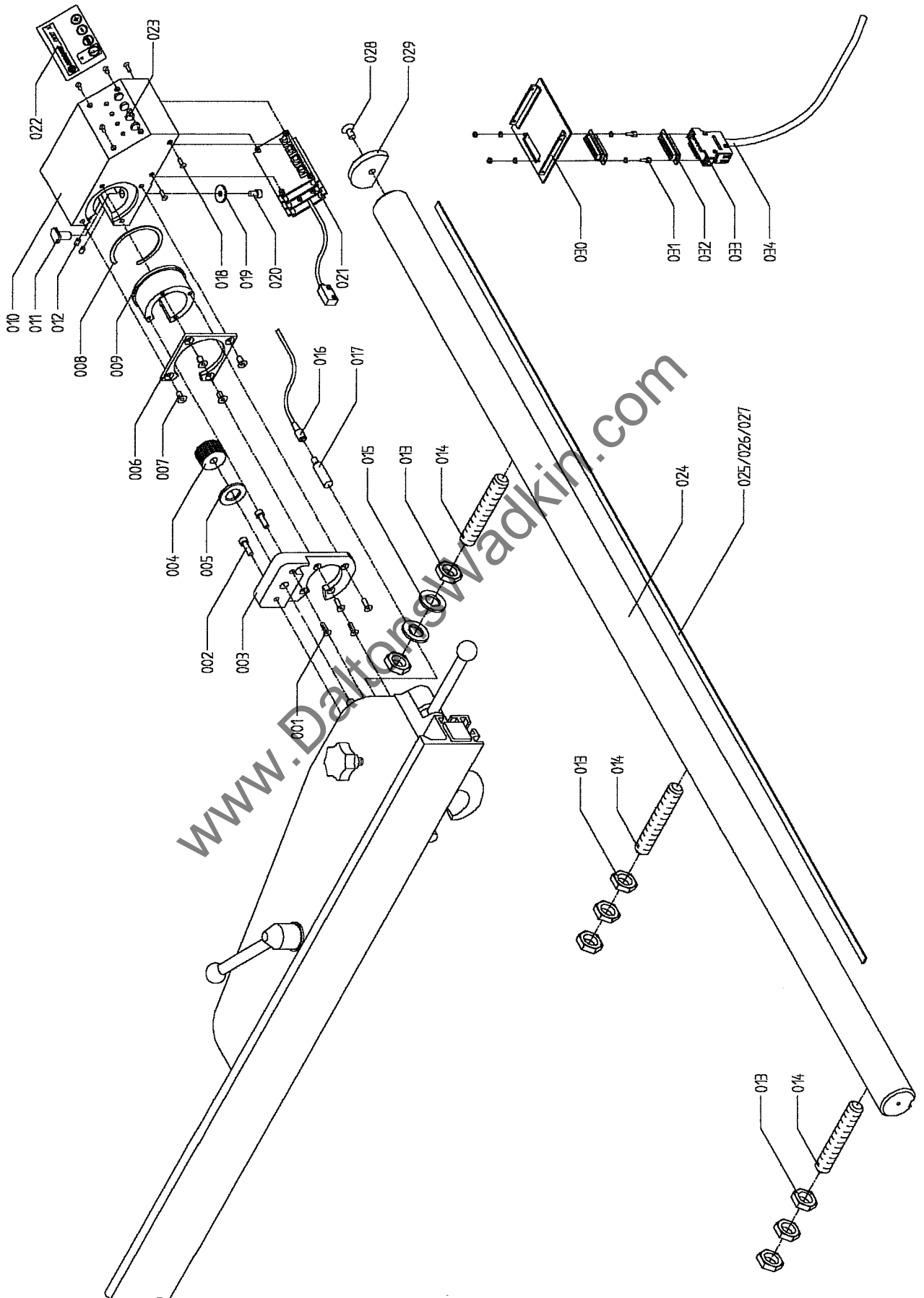
**Spare parts list 068**  
**Version 1.00/93**

**13. Rip fence**  
**13.1 Standard version**

<b>Pos.</b>	<b>Article No.</b>	<b>Designation</b>
001	F9303.0620	top section
002	F9325.0520	guide
003	K3100.0089	hexagon cap screw M6x15
004	K3100.0058	countersunk screw M6x25
005	F9325.0630	clamping strip
006	K3200.0021	locking ring 20x1.2
007	K3200.0001	washer A6.4
008	K3300.0027	ball bearing 626
009	K3100.0022	hexagon cap screw M6x20
010	B9325.0070	clamping
011	B9325.0060	cam lever
012	K3700.0011	spherical knob M8
013	K3200.0037	washer A21
014	F9325.0700	rip fence section
015	K3100.0094	cheese head screw M8x8
016	K3700.0006	square plug 30x30
017	K3700.0005	star grip handle M10x35
018	K3100.0066	cheese head screw M6x8
019	F9325.0590	slide block
020	F9325.0570	lower rip fence casting
021	K3100.0093	dowel pin 6x14
022	K3100.0092	steel ball
023	K3600.0003	compression spring
024	F9325.0550	precision setting spindle
025	K3200.0034	Ms washer A10.5
026	F9325.0690	spindle bearing
027	K3200.0038	Ms washer 1 A10.5
028	K3100.0077	cheese head screw M6x20
029	F9325.0540	star grip
030	K3100.0157	countersunk screw M5x10
031	F9303.0640	Stop
032	F9303.0580	parallel key
033	F9303.0590	holder
034	F9325.0600	eccentric shaft
035	K3200.0039	locking ring 14x1
036	F9325.0610	cam element
037	K3100.0091	setscrew M8x30
038	F9325.0670	clamping lever
039	L3100.0090	setscrew M8x30
040	K3200.0016	hexagonal nut M20
041	F9325.0710	threaded rod M20x115
042	F9325.0720	rip fence round bar 800
042	F9325.0730	rip fence round bar 1000
042	F9325.0740	rip fence round bar 1250
042	F9325.0750	rip fence round bar 1300
042	F9325.0760	rip fence round bar 1600

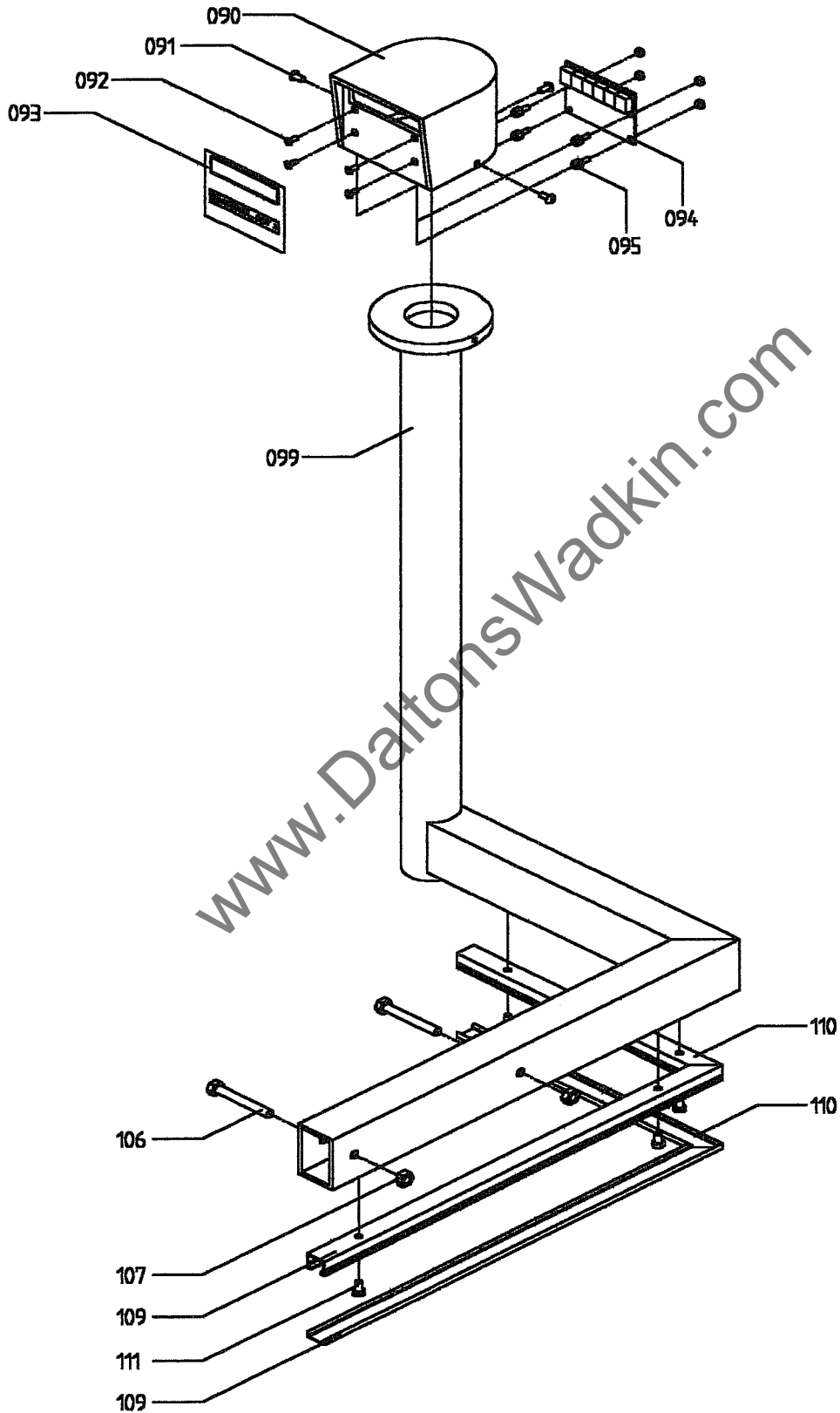
### 13.2 Rip fence with DIGIT X (optional)

Spare parts list 074  
Version 1.00



**13.2.1 Display for rip fence with DIGIT X (optional)  
and optional extension arm for display for  
machines without PSV**

**Spare parts list 074  
Version 1.00**



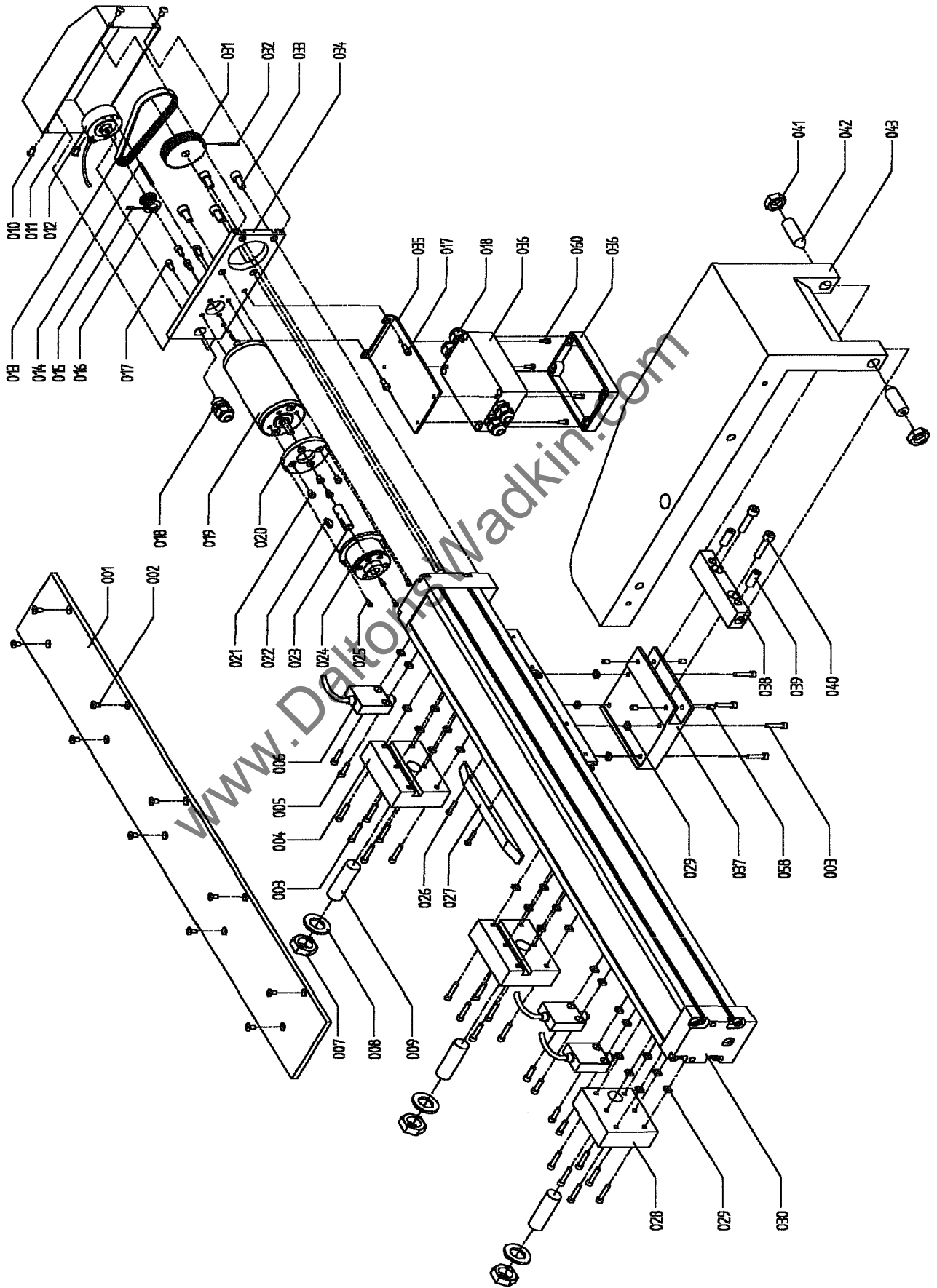
### 13. Rip fence with DIGIT X (optional)

### Spare parts list 074 Version 1.00

Pos.	Article No.	Designation	Pos.	Article No.	Designation
001	K3100.0055	countersunk screw M5x16	097	K6420.0013	D-SUB plug
002	K3100.0077	cheese head screw M6x20	098	K6420.0014	plastic hood
003	F9303.0540	holder for precision setting	099	B9303.0010	extension arm for display housing
004	K3700.0026	turn knob	106	K3100.0087	hexagon cap screw M8x60
005	K3200.0034	Ms washer A 10.5	107	K3200.0036	hexagonal nut M8
006	F9303.0530	plate	109	K6510.0001	cable duct 1
007	K3100.0052	countersunk screw M6x12	110	K6510.0002	cable duct 2
008	K3300.0010	adjusting ring	111	K3100.0088	cheese head screw M5x8
009	F9303.0520	flange			
010	F9303.0520	housing			
011	F9303.0600	guide bolt			
012	K3100.0075	setscrew M5x10			
013	K3200.0016	hexagonal nut			
014	F9325.0710	threaded rod M20			
015	F9325.0550	washer A21			
016	K6420.0009	cable for sensor			
017	K6730.0003	sensor			
018	K3100.0084	countersunk screw M3x10			
019	K3200.0035	washer R6.6			
020	K3100.0065	cheese head screw M6x10			
021	K6720.0002	CPU			
022	F9304.0620	foil			
023	K3100.0073	countersunk screw M3x5			
024	F9303.0680	rip fence round bar 800			
024	F9303.0660	rip fence round bar 1000			
024	F9303.0610	rip fence round bar 1300			
024	F9303.0690	rip fence round bar 1600			
025	K6730.0008	magnetic tape 800			
025	K6730.0003	magnetic tape 1000			
025	K6730.0004	magnetic tape 1300			
025	K6730.0009	magnetic tape 1600			
027	K1100.0004	cover band 800			
027	K1100.0002	cover band 1000			
027	K1100.0003	cover band 1300			
027	K1100.0005	cover band 1600			
028	K3100.0085	cheese head screw M8x16			
029	F9303.0650	stop			
030	B9303.0550	cover plate			
031	K6540.0003	screw with nut			
032	K6420.0010	D-SUB plug			
033	K6420.0011	plastic hood			
034	K6410.0002	cable LIYCY 16x0.25			
035	K6540.0005	fixing clip			
036	K3100.0122	countersunk screw M4x12			
037	K6450.0008	cable screw connection PG11			
038	K6420.0012	D-SUB plug			
090	F9303.0560	housing			
091	K3100.0002	oval head screw M5x10			
092	K3100.0086	countersunk screw M3x5			
093	F9304.0630	foil			
094	K6720.0003	display			
095	K6540.0004	spacer bolt			
096	K6410.0003	cable LIYCY 14x0.25			

13.3 Positionable rip fence with POSIT X (optional)

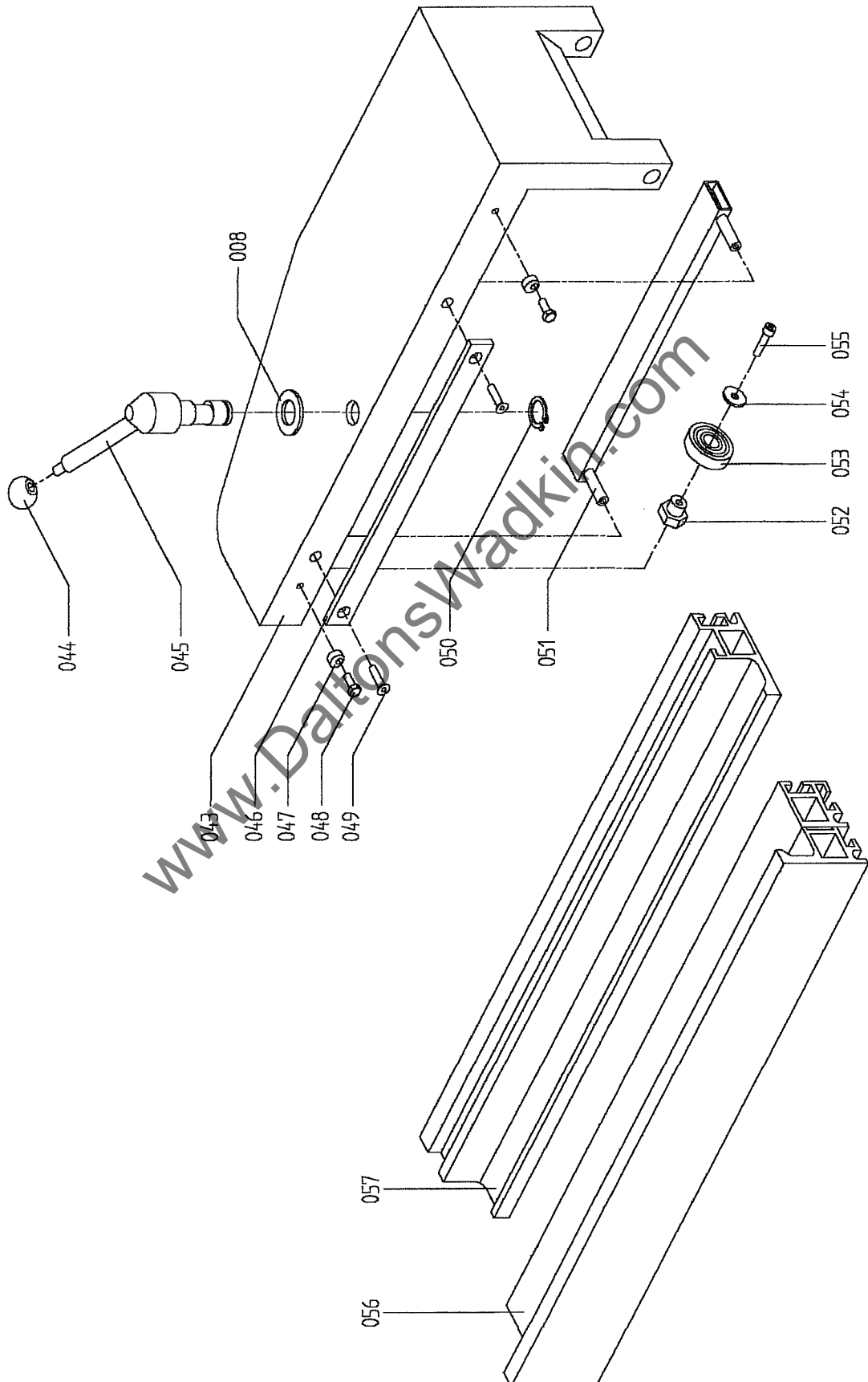
Spare parts list 058  
Version 1.00/93





### 13.3 Positionable rip fence with POSIT X (optional)

Spare parts list 058  
Version 1.00/93



### 13.3 Positionable rip fence with POSIT X (optional)

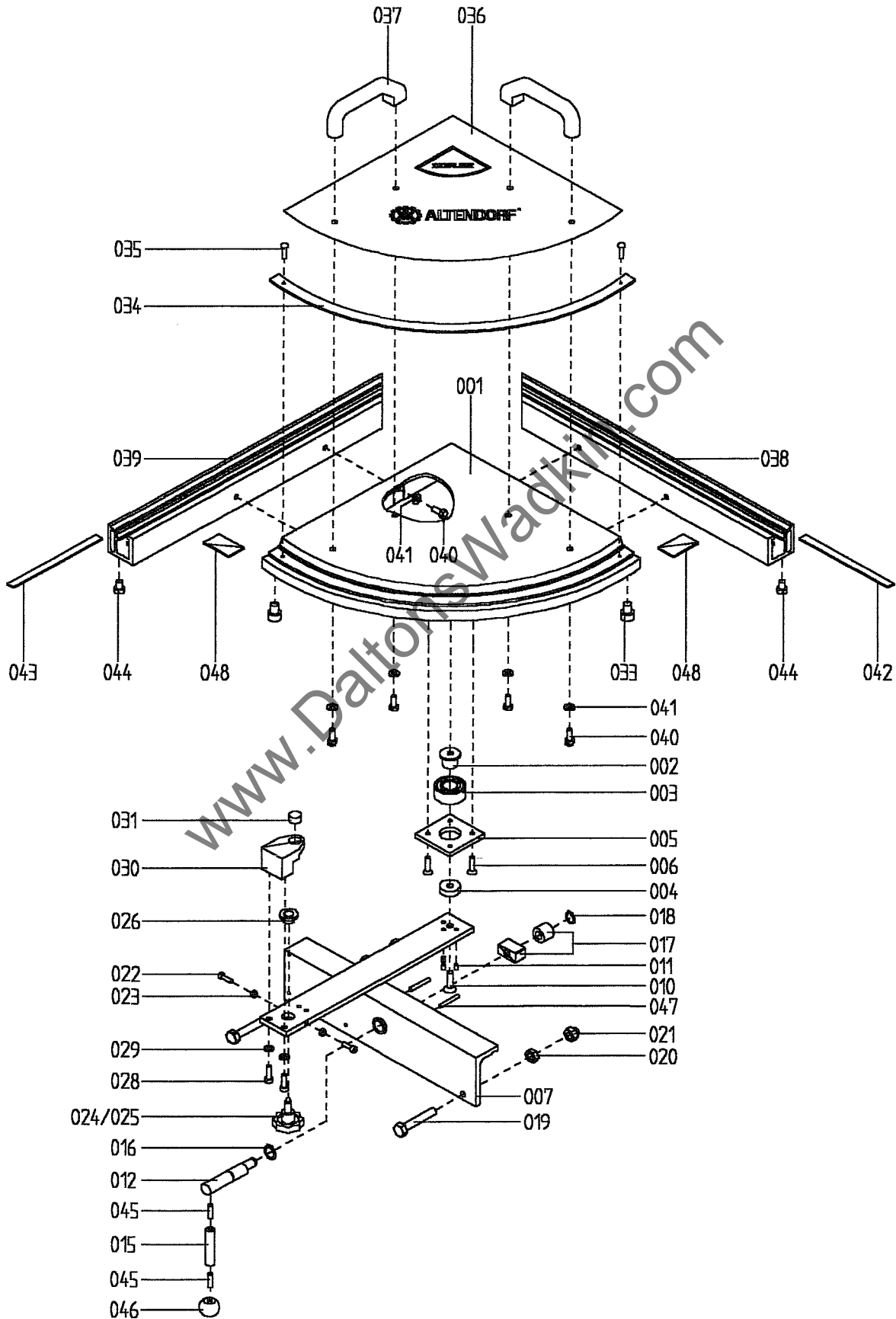
### Spare parts list 058 Version 1.00/93

Pos.	Article No.	Designation	Pos.	Article No.	Designation
001	F9209.0630	cover plate	053	F9209.0660	subroller
002	K3100.0109	countersunk screw M5x12	054	K3200.0035	washer R6.6
003	K3100.0103	cheese head screw M5x25	055	K3100.0053	cheese head screw M6x25
004	F9209.0560	connecting plate	056	F9325.0700	rip fence section 2
005	K3100.0099	cheese head screw M5x18	057	F9209.0670	rip fence section 1
006	K6330.0002	limit switch	058	K3100.0057	setscrew M6x8
007	K3200.0016	hexagonal nut M20	059	K3700.0006	square plug 30x30
008	K3200.0037	washer A21	060	K3100.0110	cheese head screw M4x10
009	K3100.0098	setscrew M20x60			
010	K3100.0096	oval head screw M5x8			
011	F9209.0600	cover hood			
012	K6730.0006	shaft encoder			
013	K3500.0005	toothed belt			
014	K3100.0107	dowel pin 4x40			
015	K3100.0106	dowel pin 3x16			
016	F9209.0530	gearwheel			
017	K3100.0004	cheese head screw M5x10			
018	K6450.0004	cable screw connection PB9			
019	K6120.0002	permanent magnet motor			
020	F9209.0620	joining piece			
021	K3100.0105	cheese head screw M5x6			
022	K3400.0001	disc spring 4x6.5			
023	F9209.0610	shaft			
024	K6120.0003	brake			
025	K3100.0104	cheese head screw M3x8			
026	K3100.0097	cheese head screw M4x20			
027	F9209.0590	switching fence			
028	F9209.0550	connecting plate			
029	K3200.0041	square nut M5			
030	K3300.0011	linear module			
031	K3500.0006	gearwheel			
032	K3100.0108	dowel pin 4x35			
033	K3100.0047	cheese head screw M8x12			
034	F9209.0520	base plate			
035	F9209.0640	bracket			
036	K6530.0001	housing			
037	F9209.0540	mounting			
038	F9209.0570	setting plate			
039	K3100.0101	setscrew M10x30			
040	K3100.0100	cheese head screw M8x35			
041	K3200.0040	hexagonal nut M16			
042	F9209.0580	centering bolt			
043	F9209.0510	upper rip fence block			
044	K3700.0011	spherical knob			
045	B9325.0060	cam lever			
046	F9325.0630	clamping strip			
047	F9325.0520	guide for stop profile			
048	K3100.0089	hexagon cap screw M6x16			
049	K3100.0095	countersunk screw M6x16			
050	K3200.0021	locking ring A20x1.2			
051	B9325.0070	clamp			
052	F9209.0650	cam			

# 14. DUPLEX mitre fence (optional)

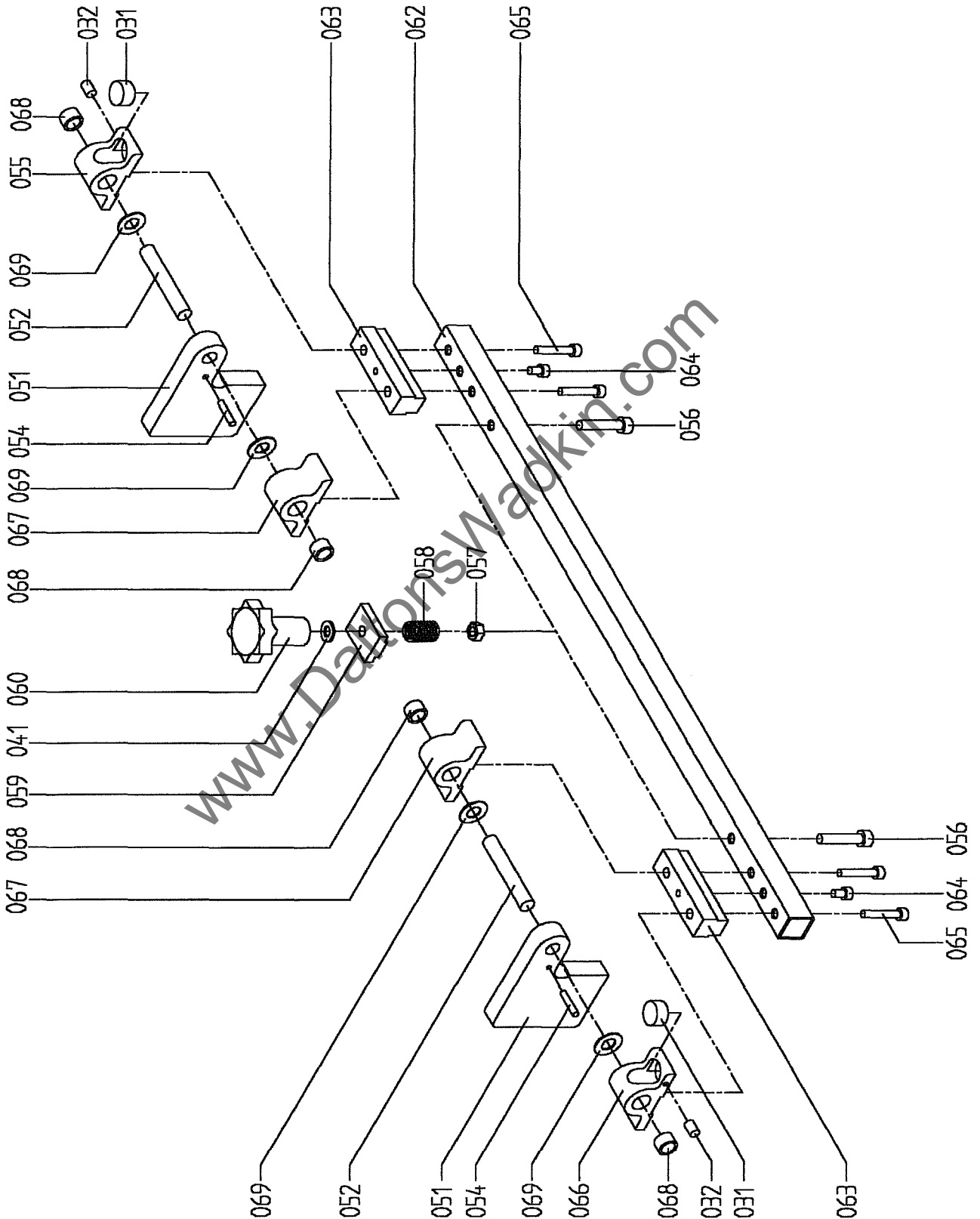
## 14.1 Standard version

Spare parts list 069  
Version 1.00/93



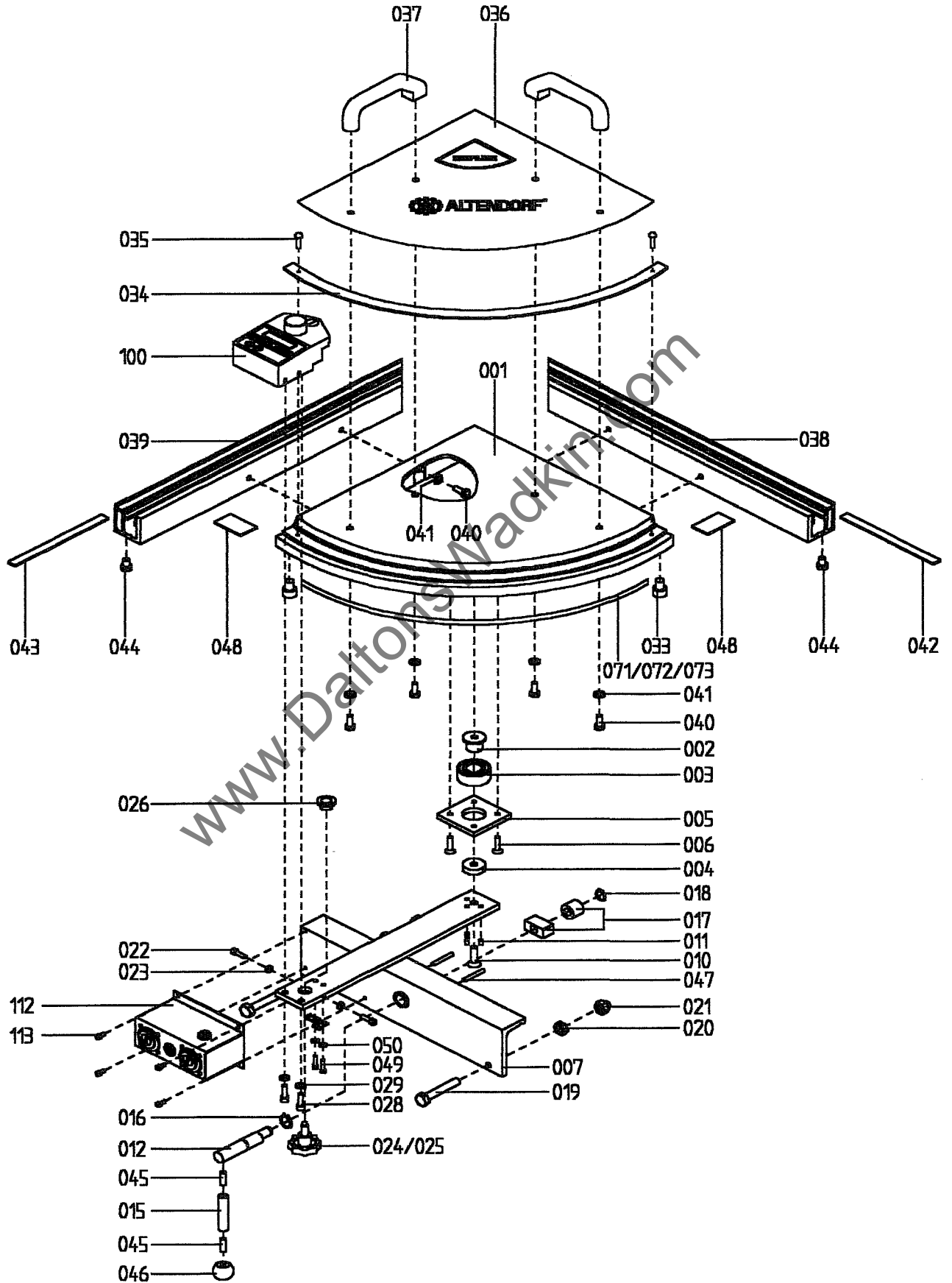
### 14.2 Stop rail DUPLEX/DUPLEX D

Spare parts list 069  
Version 1.00/93



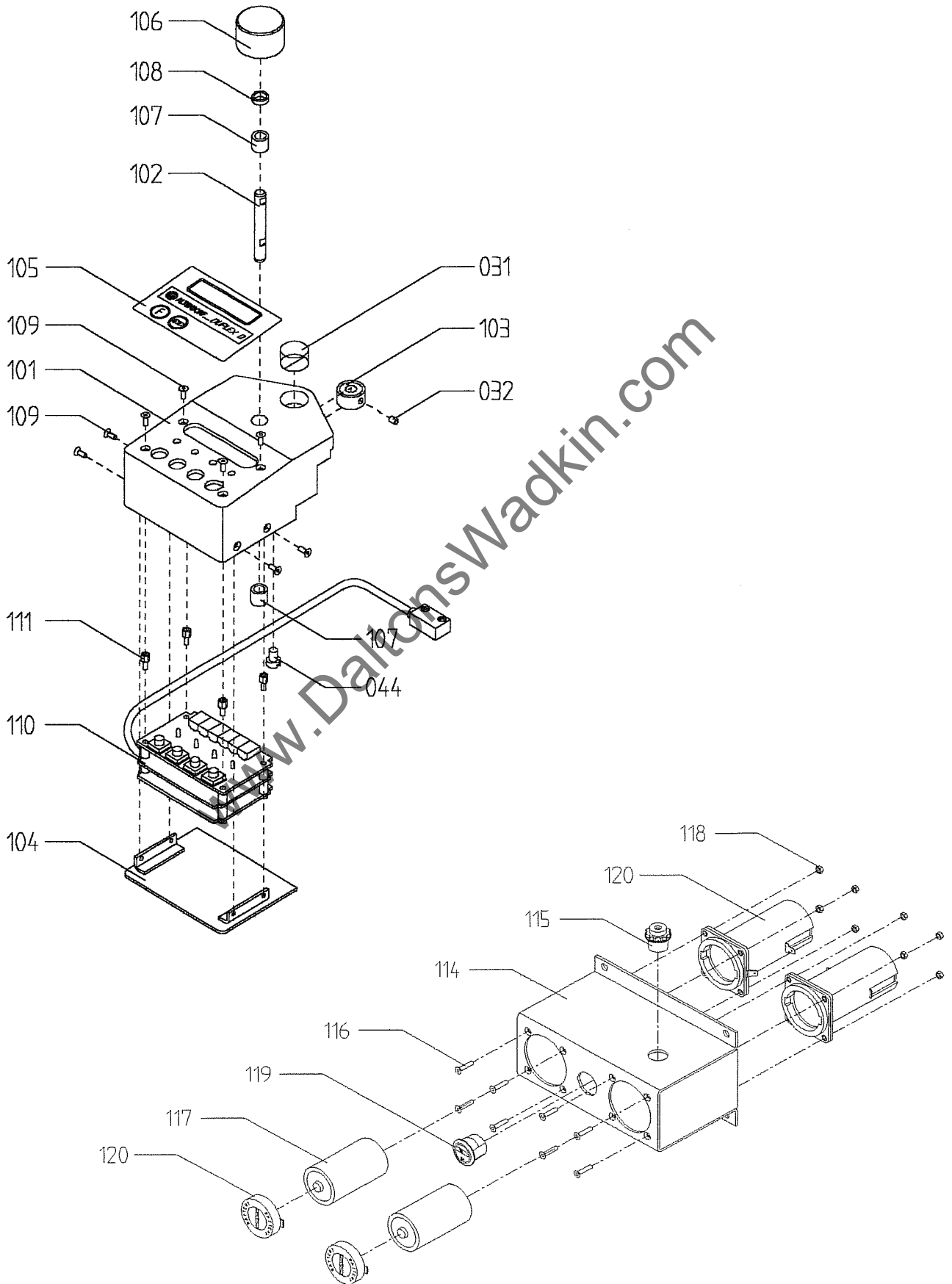
### 14.3 DUPLEX D (with digital degree display)

Spare parts list 069  
Version 1.00/93



### 14.3 Display electronics/battery holder

Spare parts list 069  
Version 1.00/93



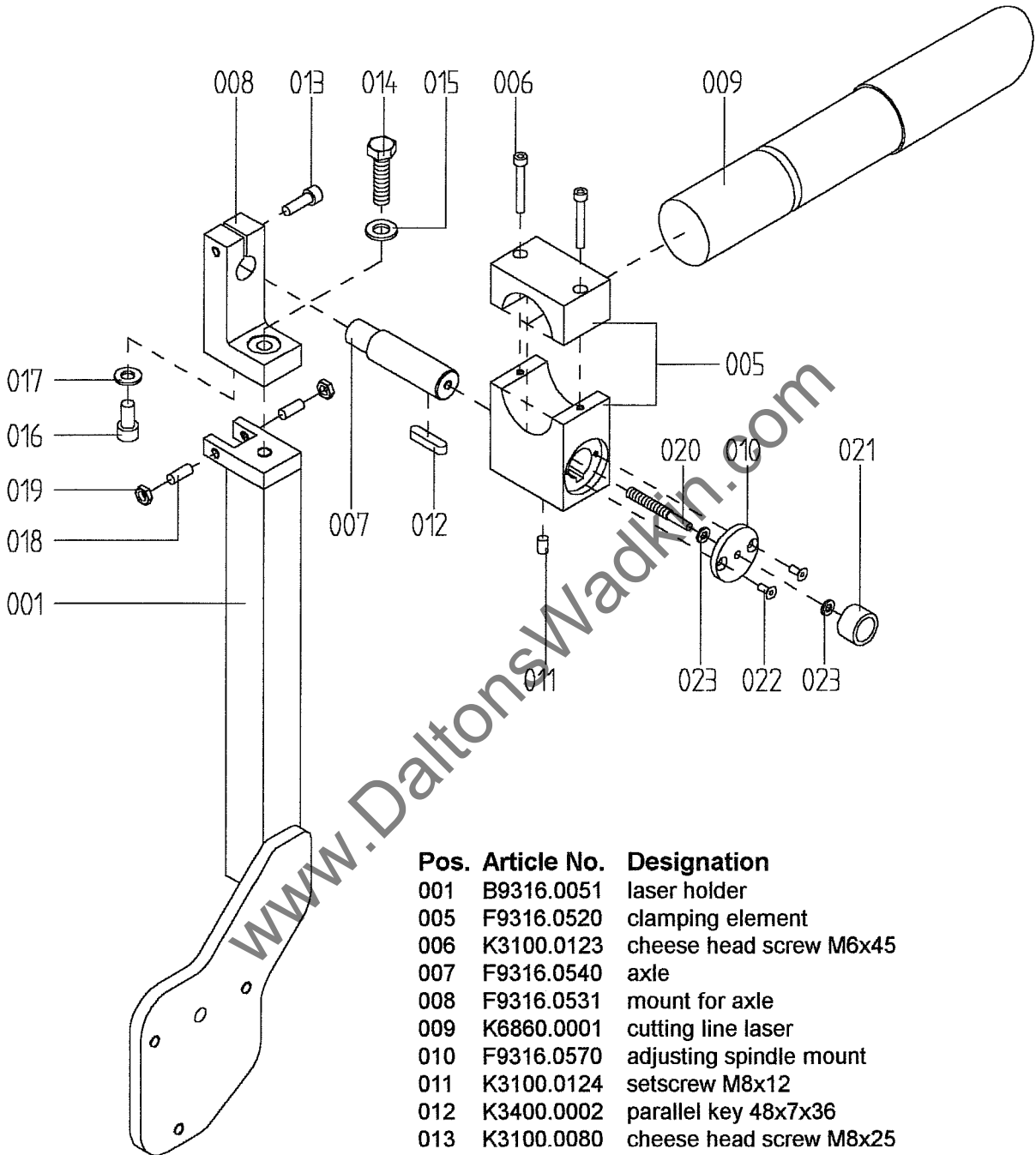
**14. DUPLEX mitre fence (optional)  
Standard version/with digital degree display**

**Spare parts list 069  
Version 1.00/93**

Pos.	Article No.	Designation	Pos.	Article No.	Designation
001	F9007.0762	base plate (standard)	057	K3200.0046	hexagonal nut M8
001	F9007.0953	base plate (digital)	058	K3600.0004	compression spring
002	F9007.0570	bolt	059	F9003.0590	clamping element
003	K3300.0013	angular ball bearing 3205	060	K3700.0014	star grip handle M8
004	F9007.0580	spacer block	061	K3200.0024	compensating washer
005	F9007.0560	clamping plate	062	F9007.0630	tube for stop rail
006	K3100.0111	countersunk screw with IS M6x25	063	F9007.0712	stop holder mounting 1
007	B9306.0050	bracket F45	064	K3100.0065	cheese head screw M6x10
007	B9306.0060	bracket F90	065	K3100.0040	cheese head screw M6x35
010	K3100.0112	countersunk screw M10x35	066	F9007.0661	stop holder 1 for magn. glass
011	K3100.0057	setscrew M6x8	067	F9007.0681	stop holder 3
012	F9107.0920	eccentric shaft	068	K3300.0014	bearing
015	F9107.0831	lever	069	K3200.0024	shim ring
016	K3200.0021	locking ring 20x1.2	071	K6730.0007	magnetic tape
017	F9107.0930	roller for cam	073	K1100.0004	cover band
017	F9107.0950	clamping element (steel version)	100	B9306.0010	digital display, compl.
018	K3200.0039	locking ring 14x1	101	F9306.0510	housing
019	K3100.0039	hexagon cap screw M10x60	102	F9306.0520	shaft for precision setting
020	K3200.0045	hexagonal nut M10	103	F9306.0530	setting wheel
021	K3200.0042	cap nut M10	104	F9306.0570	cover plate
022	K3100.0022	cheese head screw with IS M6x20	105	F9304.0640	foil
023	K3200.0018	hexagonal nut M6	106	K3700.0026	control knob
024	K3700.0028	star grip handle M10	107	K3300.0015	needle bush
025	K3100.0113	setscrew GN632	108	K3300.0016	sealing ring
026	K3200.0043	thrust piece	109	K3100.0119	countersunk screw M3x8
028	K3100.0077	cheese head screw with IS M6x20	110	K6720.0004	electronics with sensor
029	K3200.0044	washer A6.4	111	K6540.0004	spacer bolt
030	F9007.0551	magnifying glass holder	112	B9306.0020	battery housing, compl.
031	K3700.0015	magnifying glass	113	K3100.0120	cheese head screw M5x8
032	K3100.0060	setscrew M4x6	114	F9306.0550	battery housing
033	K3100.0037	cheese head screw with IS M8x10	115	K6540.0001	cable screw connection
034	F9007.0620	scale	116	K3100.0121	countersunk screw M3x16
035	K3100.0114	grooved drive stud 4x15	117	K6130.0001	NC battery 1.2 V/4Ah
036	F9007.0740	foil	118	K3200.0047	hexagonal nut M3
037	K3700.0029	D-handle	119	K6320.0001	rocker switch
038	F9007.0601	RH stop fence	120	K6530.0002	battery holder
039	F9007.0611	LH stop fence			
040	K3100.0008	hexagonal screw M8x16			
041	K3200.0005	washer A8.4			
042	F9007.0770	RH measuring rail rod (140-850)			
043	F9007.0780	LH measuring rail rod (140-850)			
044	K3100.0042	PA cheese head screw M6x8			
045	K3100.0045	setscrew M8x25			
046	K3700.0011	spherical knob M8			
047	K3100.0115	straight grooved pin 5x35			
048	F9306.0199	support			
049	K3100.0116	cheese head screw M4x20			
050	K3200.0027	washer A4.3			
051	F9007.0701	throwover stop			
052	F9007.0721	axle			
054	K3100.0117	grooved taper pin 4x24			
055	F9007.0671	stop holder 2 for magnifying glass			
056	K3100.0118	cheese head screw M8x40			

15. LASER (optional)

Spare parts list 065  
Version 1.00/93

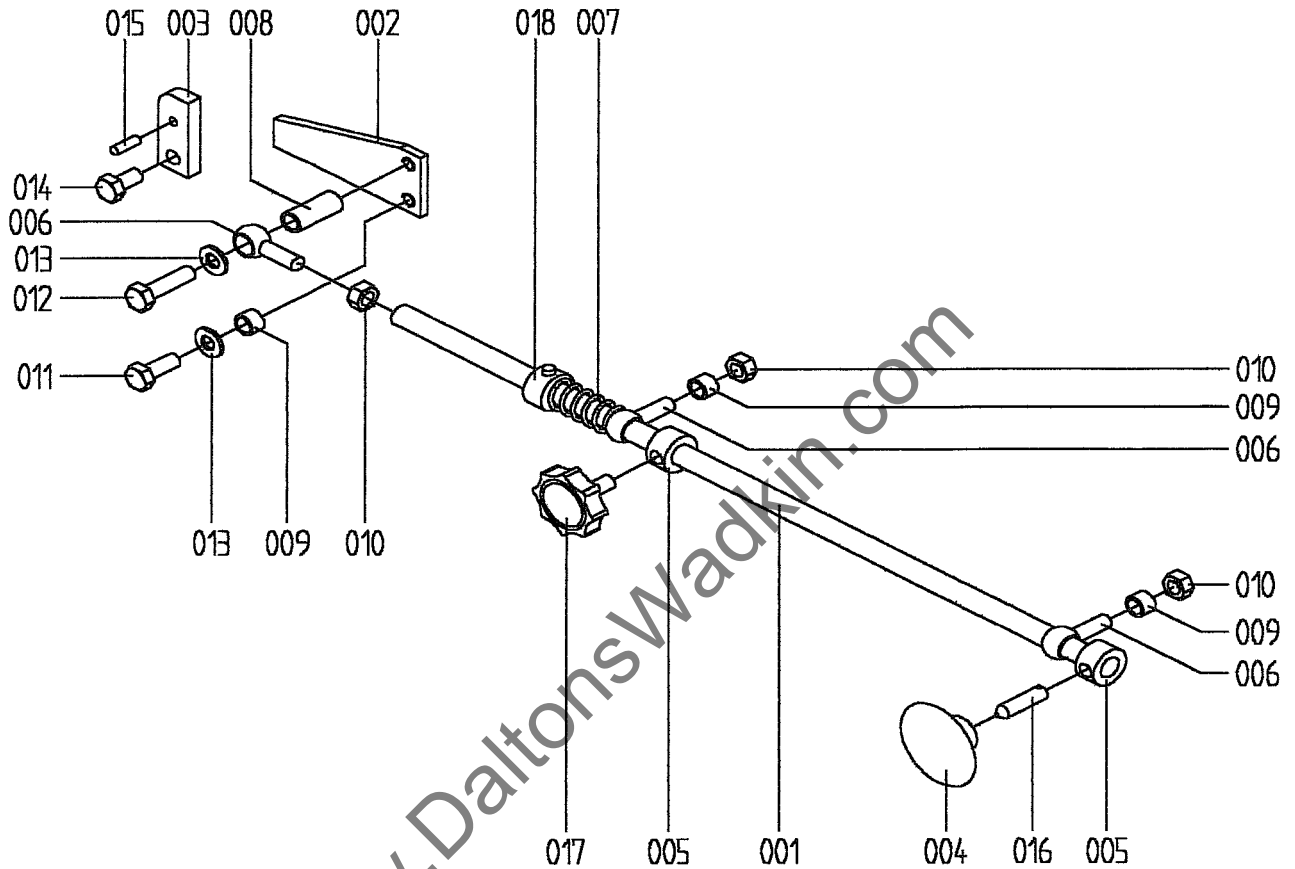


Pos.	Article No.	Designation
001	B9316.0051	laser holder
005	F9316.0520	clamping element
006	K3100.0123	cheese head screw M6x45
007	F9316.0540	axle
008	F9316.0531	mount for axle
009	K6860.0001	cutting line laser
010	F9316.0570	adjusting spindle mount
011	K3100.0124	setscrew M8x12
012	K3400.0002	parallel key 48x7x36
013	K3100.0080	cheese head screw M8x25
014	K3100.0125	hexagonal cap screw M12x45
015	K3200.0007	washer A13
016	K3100.0126	cheese head screw M10x20
017	K3200.0002	washer A10.5
018	K3100.0127	setscrew M8x20
019	K3200.0045	hexagonal nut M10
020	F9316.0580	adjusting spindle
021	K3700.0022	turn knob
022	K3100.0109	countersunk screw M5x12
023	K3200.0044	washer A6.4



## 16. BOLT (optional)

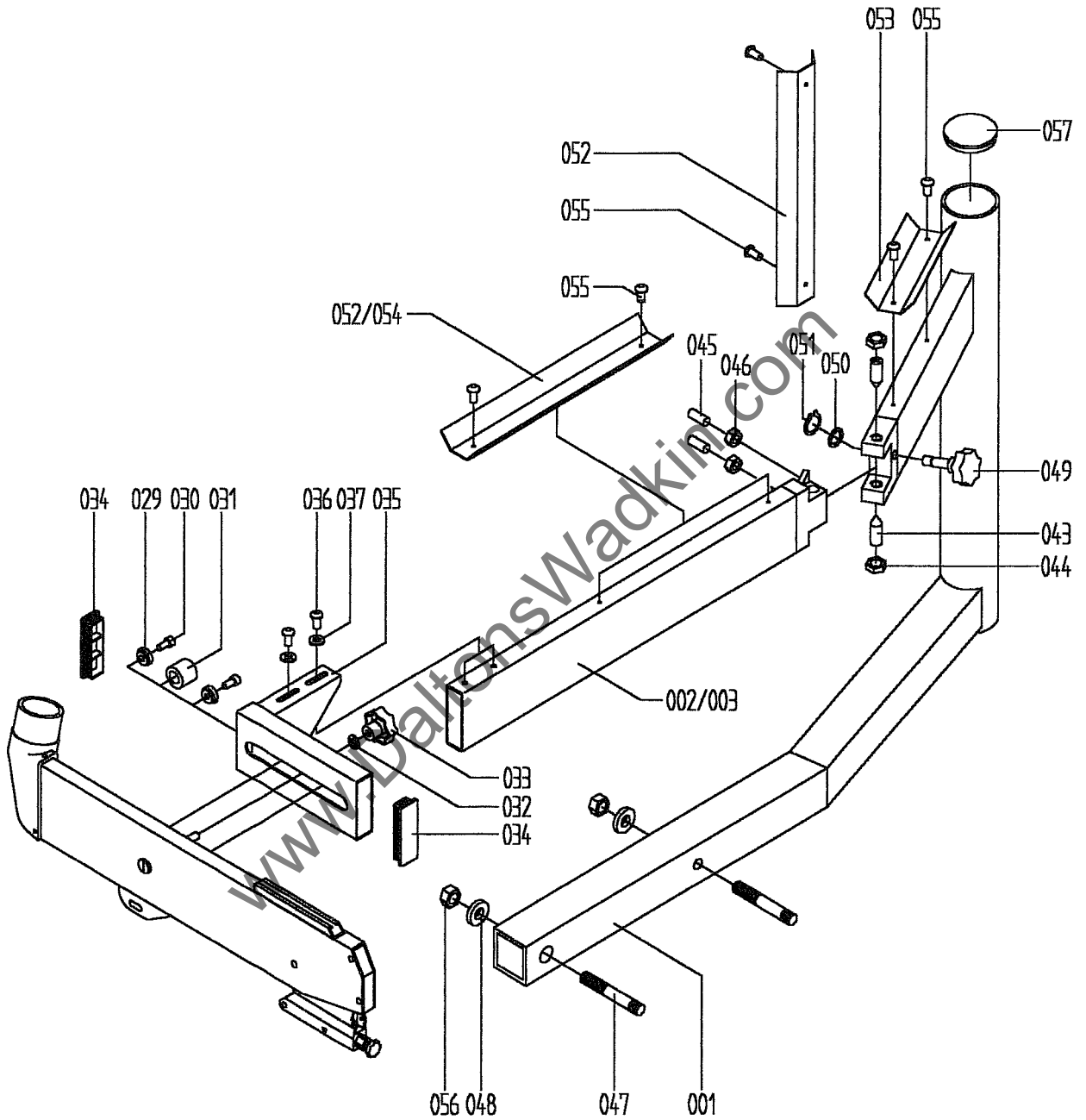
Spare parts list 014  
Version 1.00/93



Pos.	Article No.	Designation
001	F8810.0510	guide rail
002	F8810.0520	locking element
003	F8810.0540	stopper (F45)
003	F8810.0530	stopper (F90)
004	K3700.0030	switching knob
005	F8810.0600	clamping ring
006	F8810.0570	eye bolt
007	K3600.0005	spring
008	F8810.0591	bush 1
009	F8810.0580	bush 2
010	K3100.0036	hexagonal nut M8
011	K3100.0008	hexagon cap screw M8x20
012	K3100.0128	hexagon cap screw M8x30
013	K3200.0005	washer A8.4
014	K3100.0129	hexagon cap screw M8x16
015	K3100.0130	dowel pin 5x15
016	K3100.0090	setscrew M8x30
017	K3700.0031	star grip handle M8
018	K3200.0048	set collar

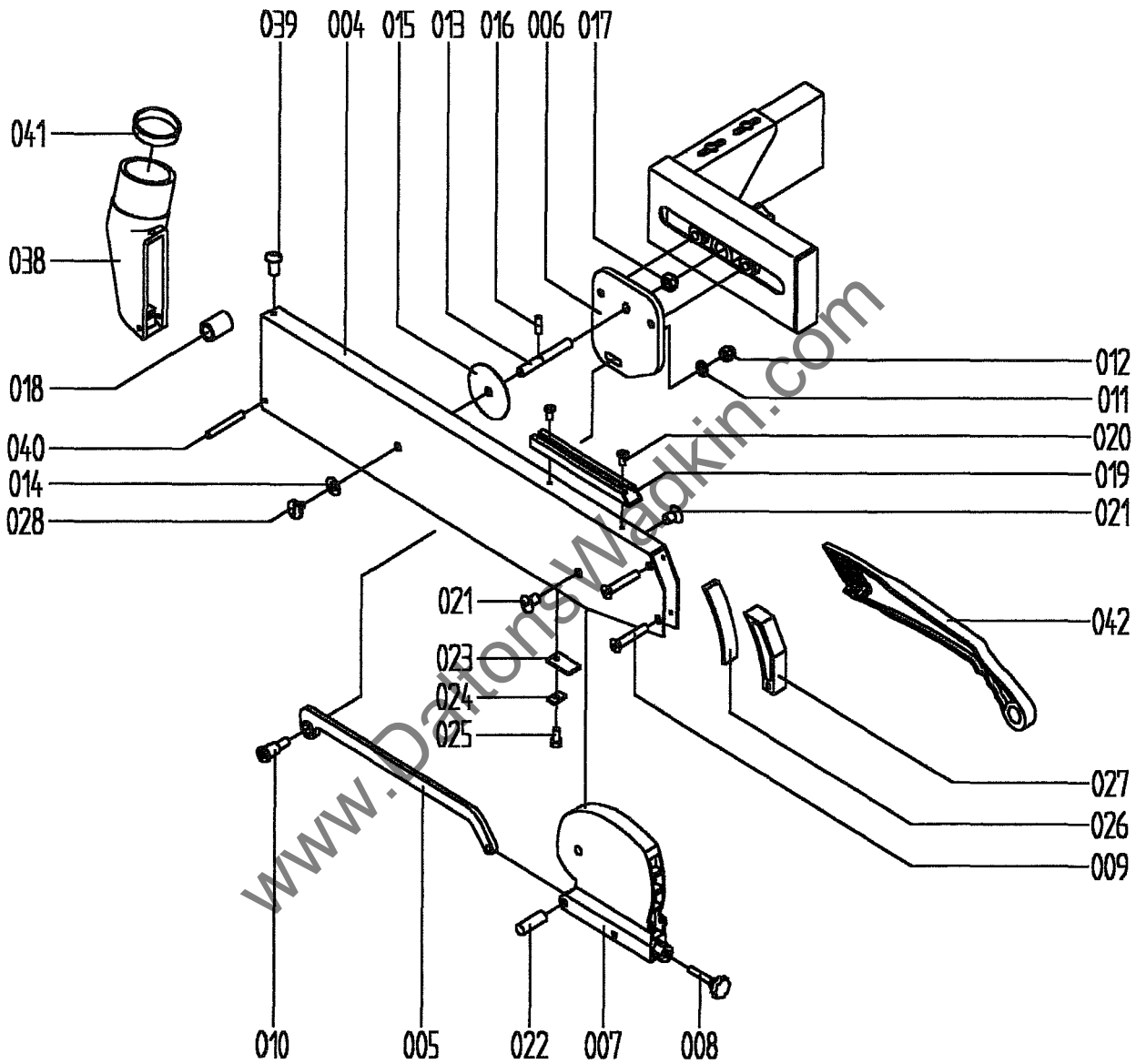
17. Extension arm  
17.1 Extension arm

Spare parts list 059  
Version 1.00/93



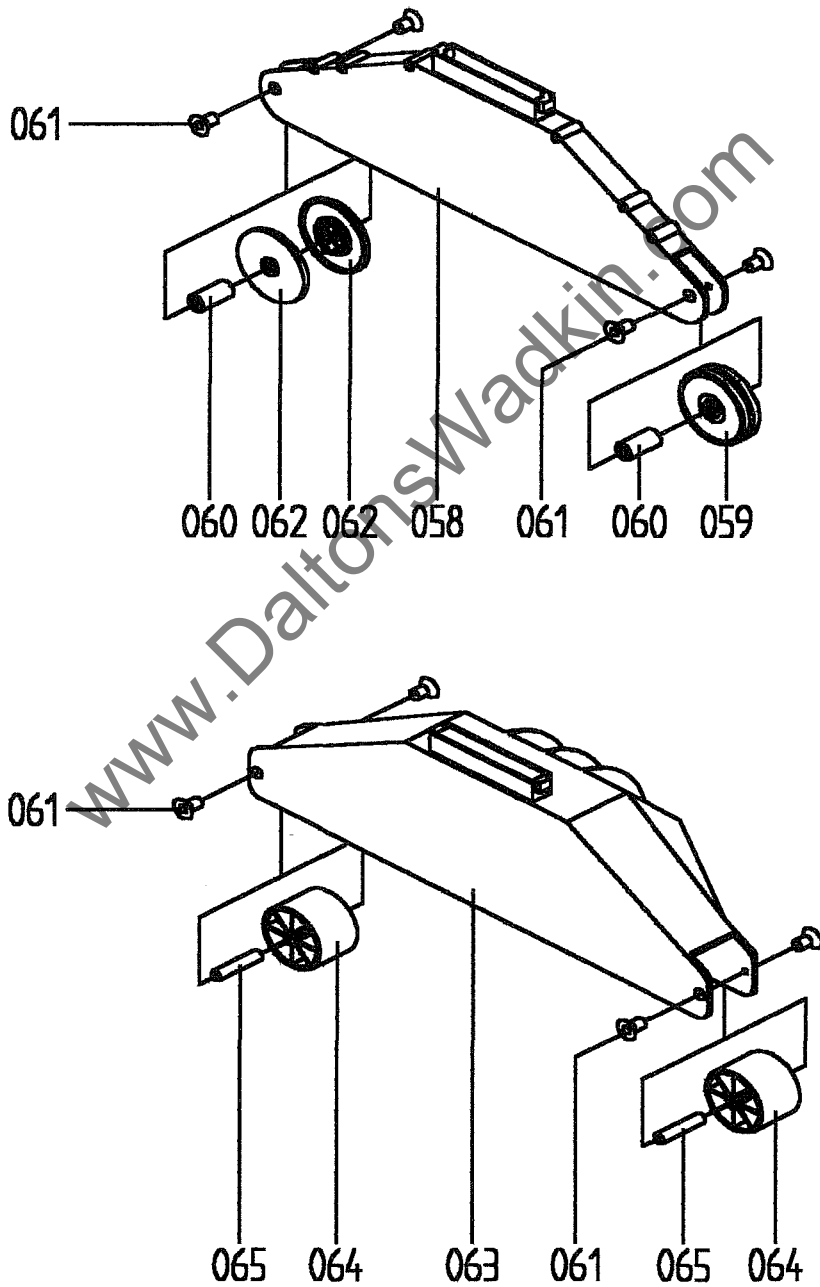
### 17. Parallel safety hood

Spare parts list 059  
Version 1.00/93



17. Safety hood

Spare parts list 059  
Version 1.00/93



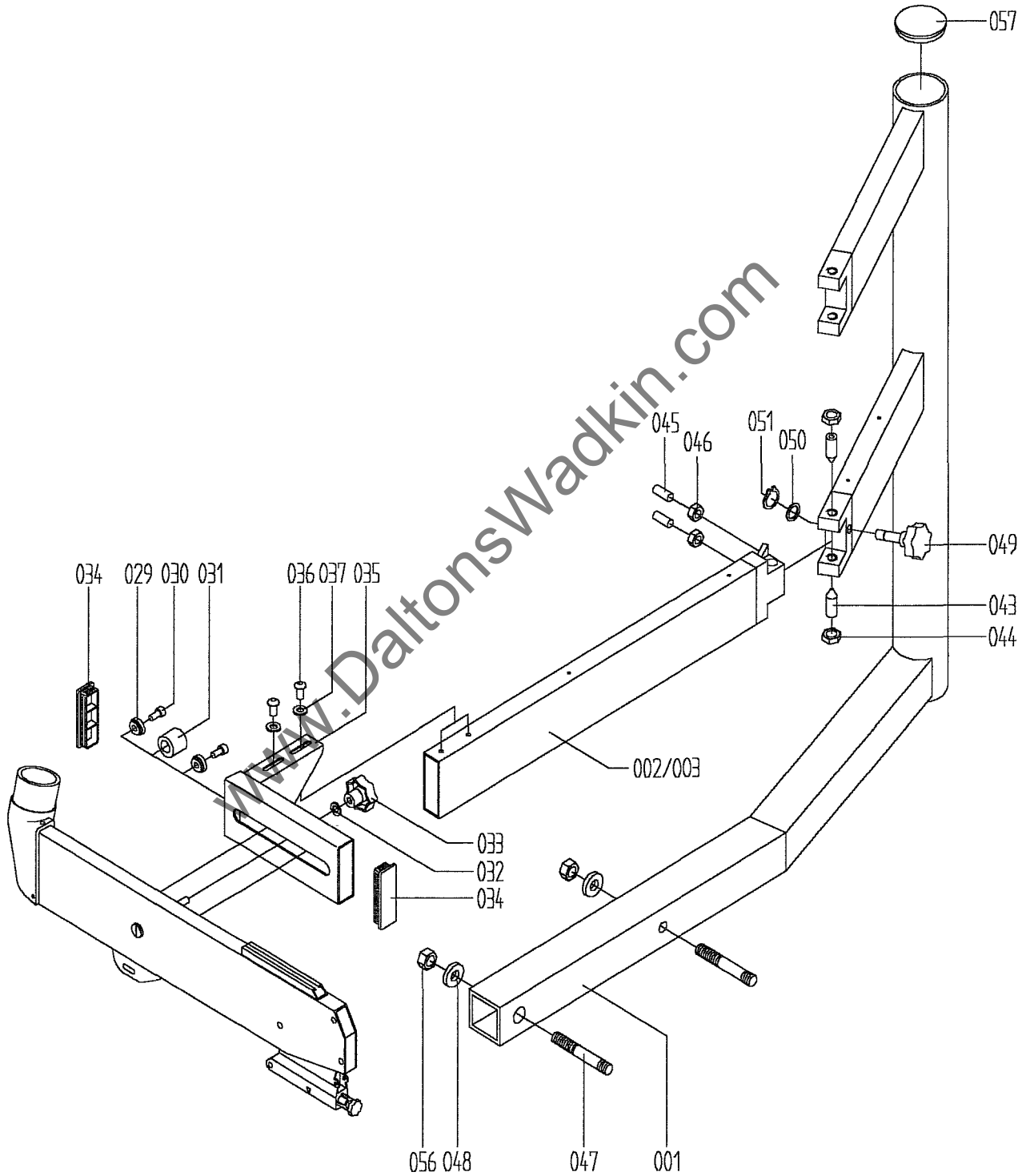
**17. Extension arm, parallel  
safety hood device and safety hood**

**Spare parts list 059  
Version 1.00/93**

Pos.	Article No.	Designation	Pos.	Article No.	Designation
001	B9301.0052	extension arm bottom section	043	F9301.0570	centering bolt
002	B9301.0062	extension arm top section F45/ 1000mm	044	K3200.0016	hexagonal nut M20
003	B9301.0072	extension arm top section F45/ 1300mm	045	K3100.0138	setscrew M10x25
004	F9301.0650	channel profile	046	K3200.0045	hexagonal nut M10
005	B9301.0091	parallel guide rod	047	F9301.0720	fastening bolt
006	F9301.0643	jointed plate	048	K3200.0050	washer 21x44x8
007	F9002.0670	hood joint WA109	049	B9301.0110	star grip handle
008	K3700.0032	star grip handle M8	050	K3200.0051	locking washer 16x1
009	K3100.0131	countersunk screw M5x30	051	K3200.0052	supporting ring 16x22
010	B9301.0770	parallel guide rod mounting bolt	052	F9301.0681	mounting 1
011	K3200.0002	washer A10.5	053	F9301.0691	mounting 2
012	K3200.0042	cap nut M10	054	F9301.0711	mounting 4
013	F9301.0602	axle	055	K3100.0002	oval head screw M5x10
014	F9301.0620	Teflon washer 1	056	K3200.0053	hexagonal nut M20
015	F9301.0630	Teflon washer 2	057	K3700.0035	cover cap
016	K3100.0132	dowel pin 4x12	058	F9002.0832	hood half
017	K3200.0049	lock nut M12	059	F9002.0860	roller, narrow at the front
018	F9301.0610	sintered sleeve 1	060	F9002.0870	axle
019	F9002.0630	push stick holder	061	K3100.0139	countersunk screw M6x10
020	K3100.0133	countersunk screw M4x8	062	F9002.0850	roller, narrow at the rear
021	K3100.0134	countersunk screw M6x10	063	F9002.0891	hood, wide
022	F9002.0720	bolt	064	F9002.0910	roller, wide
023	F9002.0740	rubber seal	065	F9002.0920	axle, wide
024	F9002.0730	seal			
025	K3100.0135	cheese head screw M6x12			
026	F9301.0199	seal			
027	F9002.0700	joint seal			
028	K3100.0136	flat head screw M4x8			
029	F9301.0580	guide lateral adjustment			
030	K3100.0126	cheese head screw M10x20			
031	F9301.0590	spacer element			
032	K3200.0007	washer A13			
033	K3700.0033	star grip			
034	K3700.0003	square plug			
035	B9301.0101	lateral adjustment mounting			
036	K3100.0005	oval head screw M8x16			
037	K3200.0005	washer A8.4			
038	F9002.0660	extraction manifold			
039	K3100.0137	oval head screw M6x16			
040	K3100.0083	dowel pin 6x45			
041	K3700.0034	conical plug			
042	F9002.0930	push stick			

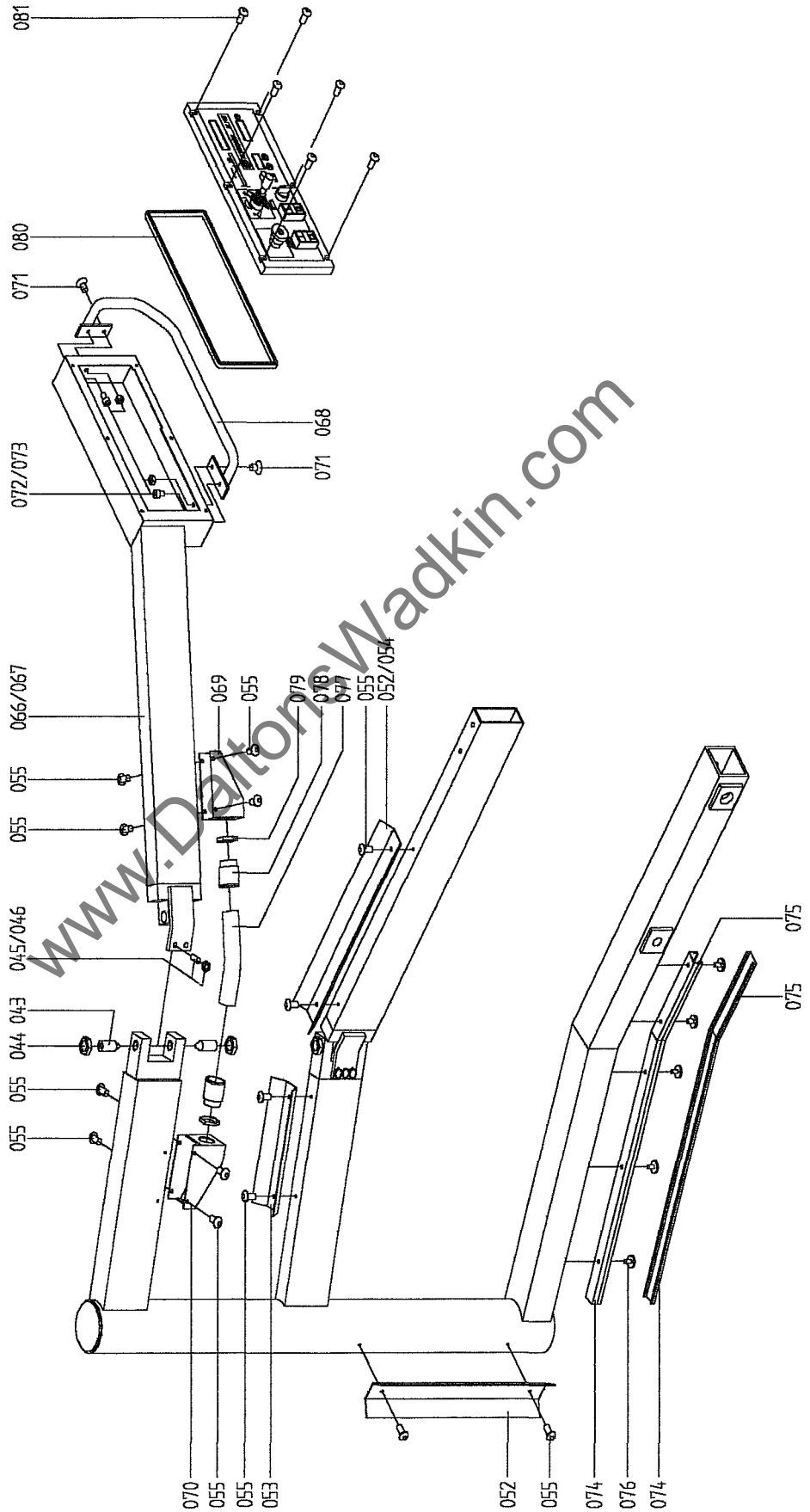
### 17.2 ELMO extension arm (option)

### Ersatzteil-Liste 060 Version 1.00/93



### 17.2.1 Extension arm

Spare parts list 060  
Version 1.00/93



## 17.2. Extension arm

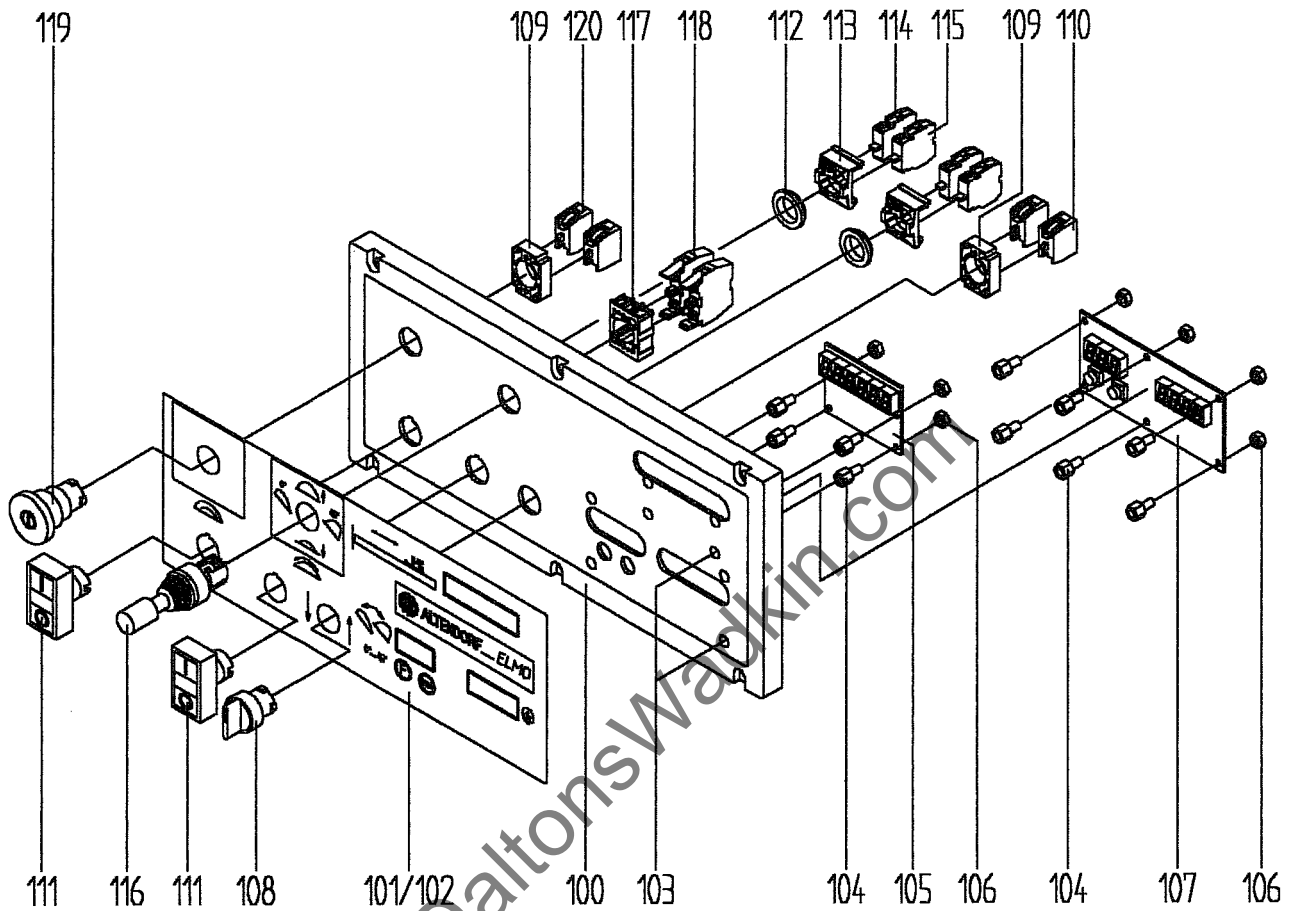
## Spare parts list 060 Version 1.00/93

Pos.	Article No.	Designation	Pos.	Article No.	Designation
001	B9301.0052	extension arm bottom section	043	F9301.0570	centering bolt
002	B9301.0062	extension arm top section F45/1000mm	044	K3200.0016	hexagonal nut M20
003	B9301.0072	extension arm top section F45/1300mm	045	K3100.0138	setscrew M10x25
004	F9301.0650	channel section	046	K3200.0045	hexagonal nut M10
005	B9301.0091	parallel guide rod	047	F9301.0720	fastening bolt
006	F9301.0643	jointed plate	048	K3200.0050	washer 21x44x8
007	F9002.0670	hood joint WA109	049	B9301.0110	star grip handle
008	K3700.0032	star grip handle M8	050	K3200.0051	locking washer 16x1
009	K3100.0131	countersunk screw M5x30	051	K3200.0052	supporting ring 16x22
010	B9301.0770	parallel guide rod mounting bolt	052	F9301.0681	mounting 1
011	K3200.0002	washer A10.5	053	F9301.0691	mounting 2
012	K3200.0042	cap nut M10	054	F9301.0711	mounting 4
013	F9301.0602	axle	055	K3100.0002	oval head screw M5x10
014	F9301.0620	Teflon washer 1	056	K3200.0053	hexagonal nut M20
015	F9301.0630	Teflon washer 2	057	K3700.0036	cover cap
016	K3100.0132	dowel pin 4x12	058	F9002.0832	hood half
017	K3200.0049	locking nut M12	059	F9002.0860	roller, narrow at the front
018	F9301.0610	sintered sleeve 1	060	F9002.0870	axle
019	F9002.0630	push stick holder	061	K3100.0139	countersunk screw M6x10
020	K3100.0133	countersunk screw M4x8	062	F9002.0850	roller, narrow at the rear
021	K3100.0134	countersunk screw M6x10	063	F9002.0891	hood, wide
022	F9002.0720	bolt	064	F9002.0910	roller, wide
023	F9002.0740	rubber seal	065	F9002.0920	axle, wide
024	F9002.0730	seal	066	B931.0060	extension arm for 1000mm cutting width
025	K3100.0135	cheese head screw M6x12	067	B9313.0070	extension arm for 1300mm cutting width
026	F9301.0199	seal	068	B9313.0080	handle
027	F9002.0700	joint seal	069	F9302.0590	cable mounting
028	K3100.0136	flat head screw M8 x 12	070	F9302.0600	cable mounting 1
029	F9301.0580	guide lateral adjustment	071	K3100.0140	countersunk screw M6x12
030	K3100.0126	cheese head screw M10x20	072	K3200.0018	hexagonal nut M6
031	F9301.0590	spacer element	073	K3100.0018	cheese head screw M6x10
032	K3200.0007	washer A13	074	K6510.0001	cable duct
033	K3700.0033	star grip	075	K6510.0002	cable duct
034	K3700.0003	square plug	076	K3100.0141	flat head screw M5x10
035	B9301.0101	lateral adjustment mount	077	K6510.0003	protection tube
036	K3100.0005	oval head screw M8x16	078	K6450.0007	cable screw connection PG21
037	K3200.0005	washer A8.4	079	K6450.0005	hexagonal nut PG21
038	F9002.0660	extraction manifold	080	F9300.0650	seal
039	K3100.0137	oval head screw M6x16	081	K3100.0142	oval head screw M6x25
040	K3100.0083	dowel pin 6x45			
041	K3700.0034	conical plug			
042	F9002.0930	push stick			



## 17.2. Operating panel

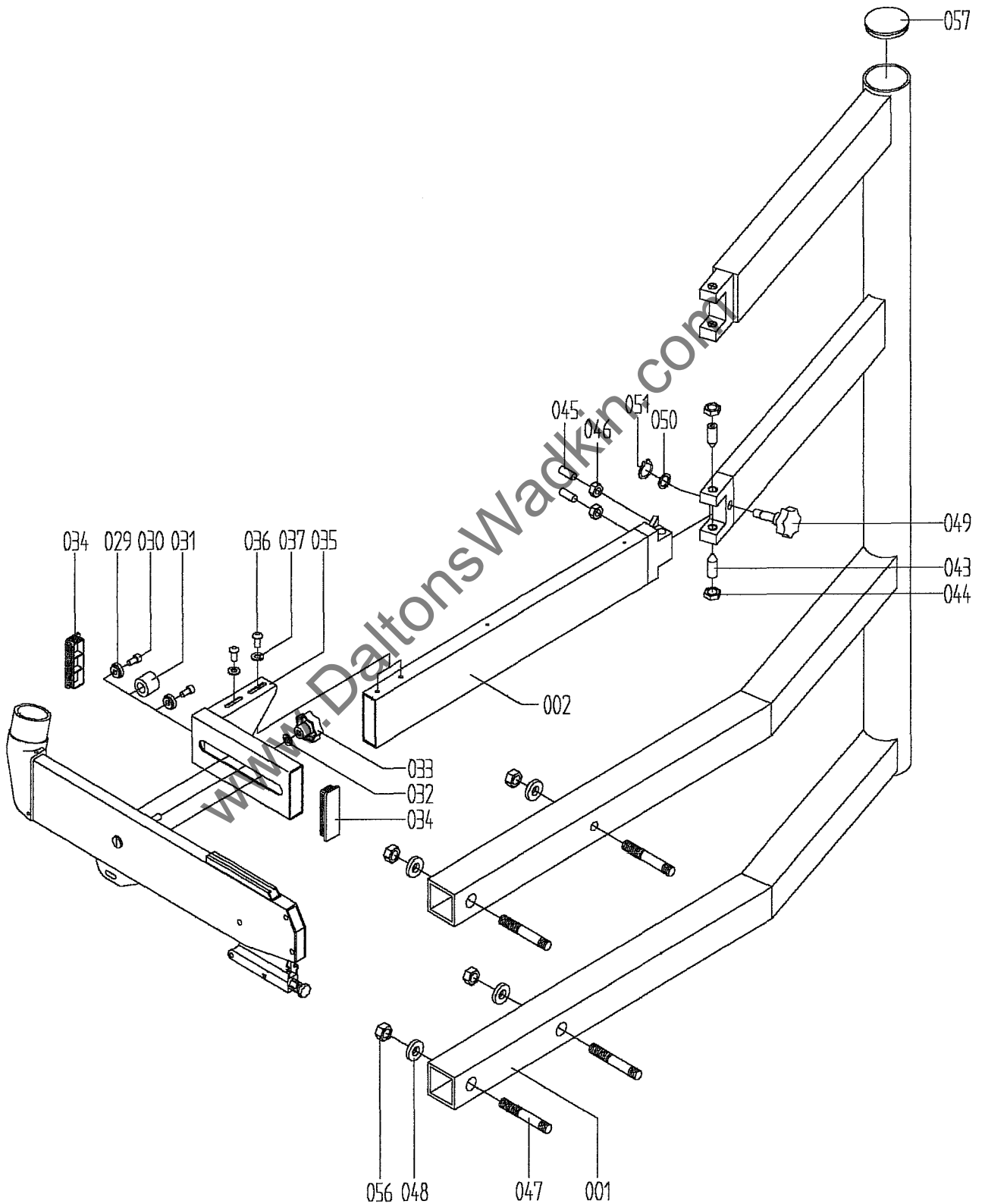
Spare parts list 060  
Version 1.00/93



Pos.	Article No.	Designation
100	F9300.0640	ELMO panel
101	F9304.0670	ELMO foil with digit X
102	F9304.0770	ELMO foil without digit X
103	K3100.0143	countersunk screw M4x6
104	K6540.0006	spacer bolt
105	K6720.0003	display for DIGIT X
106	K3200.0030	hexagonal nut M4
107	K6720.0006	combined display unit
108	K6320.0002	toggle switch ZB2-BD5
109	K6320.0003	lower section
110	K6320.0004	auxiliary switch block ZB2-BE101
111	K6320.0005	twin push button
112	K6320.0006	nut
113	K6320.0007	fastening adapter
114	K6320.0008	contact element EK01
115	K6320.0009	contact element EK10
116	K6320.0010	coordinate switch
117	K6320.0011	holder
118	K6320.0012	switching element
119	K6320.0013	EMERGENCY STOP button ZB2-BC4
120	K6320.0014	auxiliary switch block ZB2-BE102

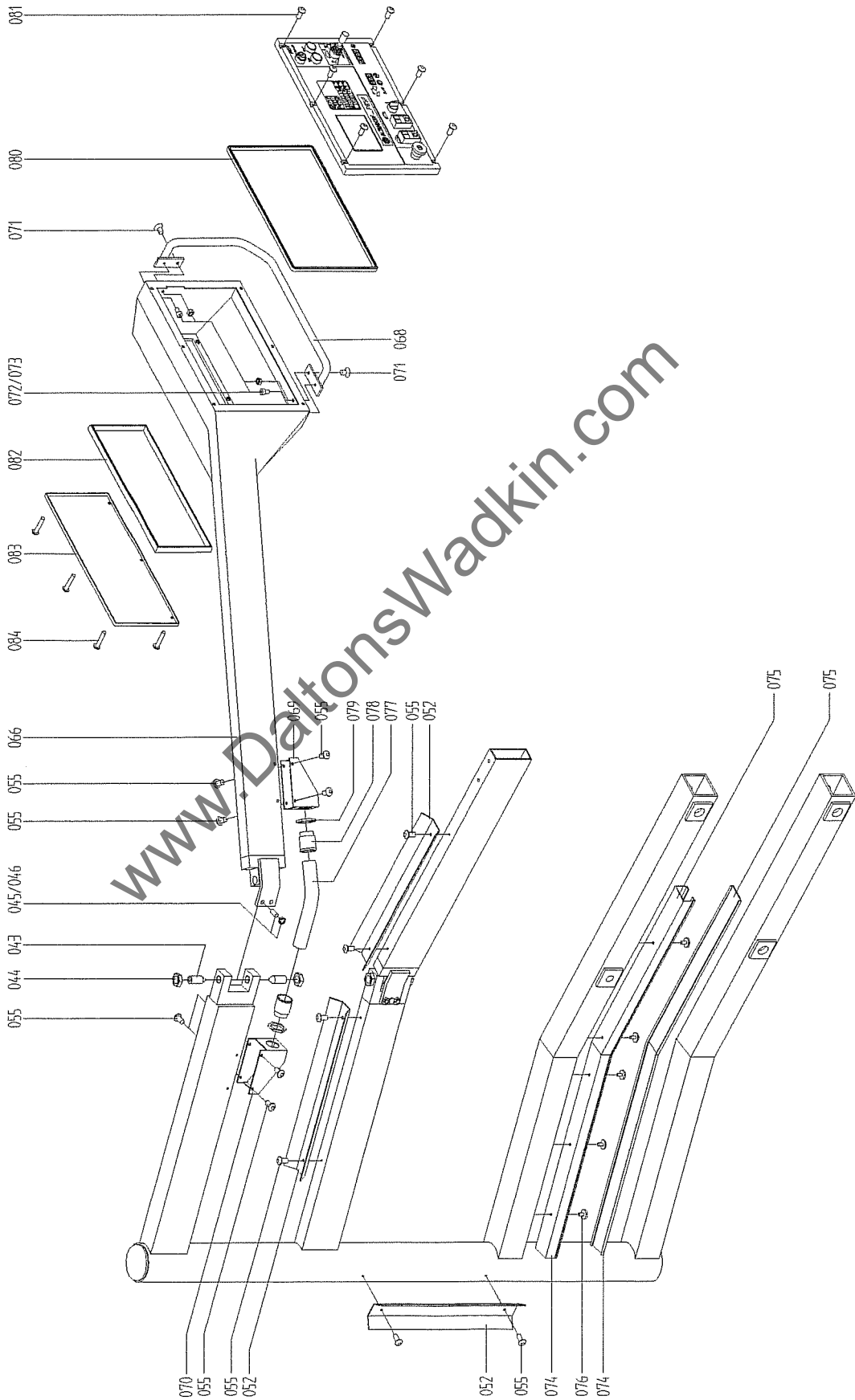
### 17.3 POSIT extension arm

Spare parts list 061  
Version 1.00/93



### 17.3.1 Extension arm

### Spare parts list 061 Version 1.00/93



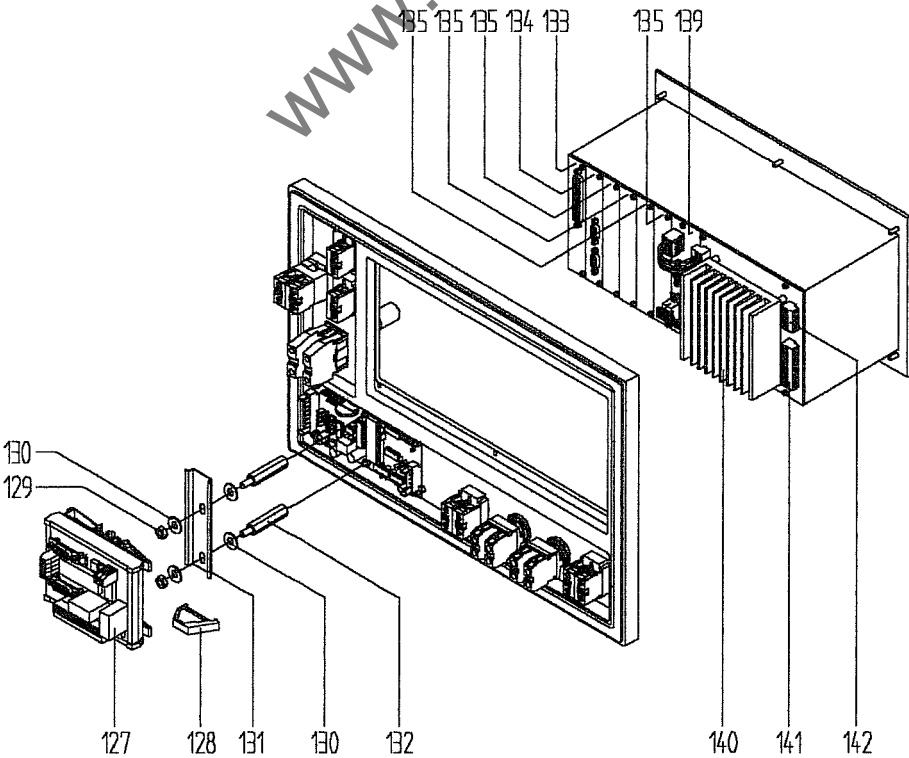
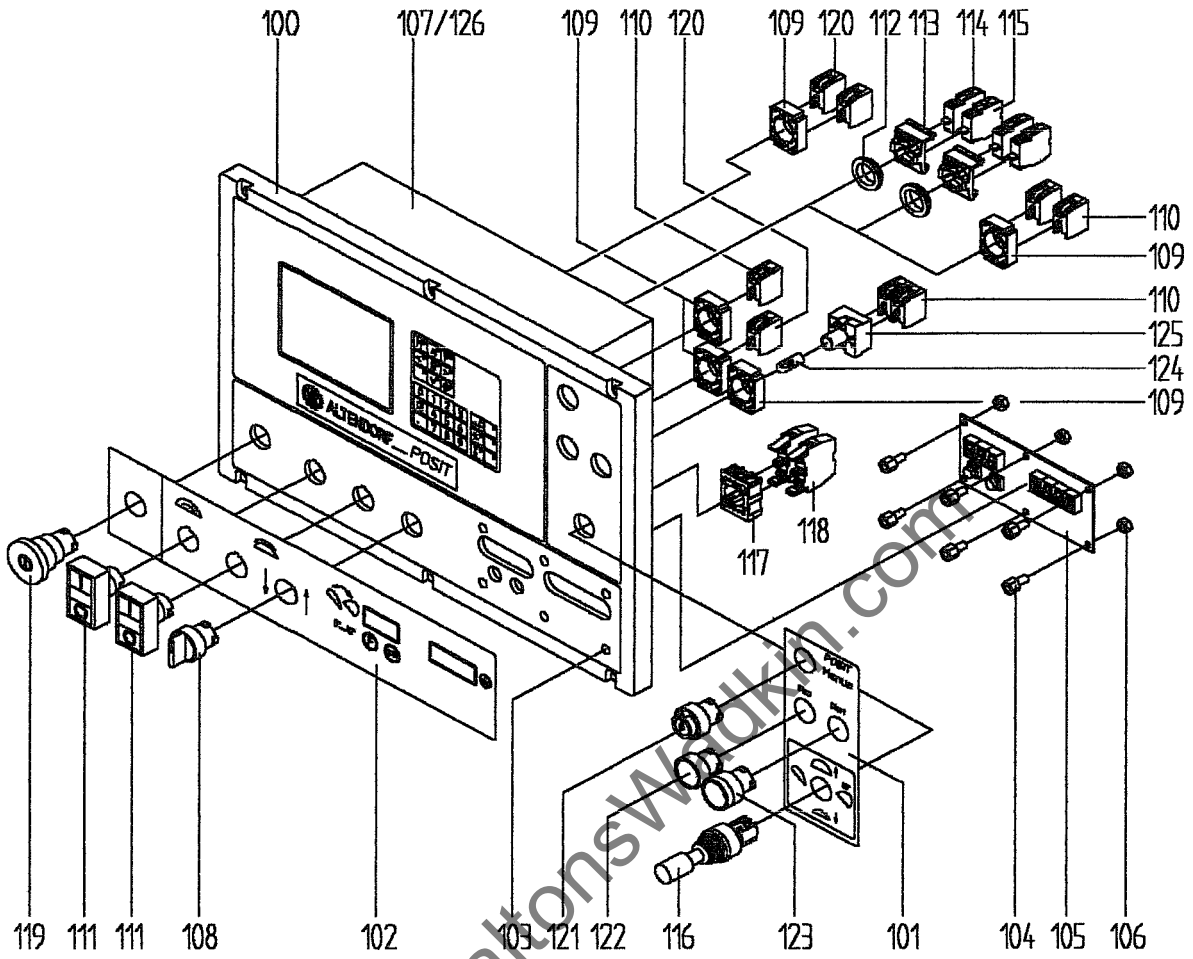
### 17.3 Extension arm (POSIT)

Spare parts list 061  
Version 1.00/93

Pos.	Article No.	Designation	Pos.	Article No.	Designation
001	B9301.0054	extension arm bottom section	043	F9301.0570	centering bolt
002	B9301.0062	extension arm top section F45/1000mm	044	K3200.0016	hexagonal nut M20
003	B9301.0072	extension arm top section F45/1300mm	045	K3100.0138	setscrew M10x25
004	F9301.0650	channel profile	046	K3200.0045	hexagonal nut M10
005	B9301.0091	parallel guide rod	047	F9301.0720	fastening bolt
006	F9301.0643	jointed plate	048	K3200.0050	washer 21x44x8
007	F9002.0670	hood joint WA109	049	B9301.0110	star grip handle
008	K3700.0032	star grip handle M8	050	K3200.0051	locking washer 16x1
009	K3100.0131	countersunk screw M5x30	051	K3200.0052	supporting ring 16x22
010	B9301.0770	parallel guide rod mounting bolt	052	F9301.0681	mounting 1
011	K3200.0002	washer A10.5	053	F9301.0691	mounting 2
012	K3200.0042	cap nut M10	054	F9301.0711	mounting 4
013	F9301.0602	axle	055	K3100.0002	oval head screw M5x10
014	F9301.0620	Teflon washer 1	056	K3200.0053	hexagonal nut M20
015	F9301.0630	Teflon washer 2	057	K3700.0036	cover cap
016	K3100.0132	dowel pin 4x12	058	F9002.0832	hood half
017	K3200.0049	lock nut M12	059	F9002.0860	roller, narrow at the front
018	F9301.0610	sintered sleeve 1	060	F9002.0870	axle
019	F9002.0630	push stick holder	061	K3100.0139	countersunk screw M6x10
020	K3100.0133	countersunk screw M4x8	062	F9002.0850	roller, narrow at the rear
021	K3100.0134	countersunk screw M6x10	063	F9002.0891	hood, wide
022	F9002.0720	bolt	064	F9002.0910	roller, wide
023	F9002.0740	rubber seal	065	F9002.0920	axle, wide
024	F9002.0730	seal	066	B9302.0065	extension arm for 1000mm cutting width
025	K3100.0135	cheese head screw M6x12	067	B9302.0080	extension arm for 1300mm cutting width
026	F9301.0199	seal	068	B9302.0070	handle
027	F9002.0700	joint seal	069	F9302.0590	cable mounting
028	K3100.0136	flat head screw M8x12	070	F9302.0600	cable mounting 1
029	F9301.0580	guide lateral adjustment	071	K3100.0140	countersunk screw M6x12
030	K3100.0126	cheese head screw M10x20	072	K3200.0018	hexagonal nut M6
031	F9301.0590	spacer element	073	K3100.0065	cheese head screw M6x10
032	K3200.0007	washer A13	074	K6510.0001	cable duct
033	K3700.0033	star grip	075	K6510.0002	cable duct
034	K3700.0003	square plug	076	K3100.0141	flat head screw M5x10
035	B9301.0101	lateral adjustment mounting	077	K6510.0003	protection tube
036	K3100.0005	oval head screw M8x16	078	K6450.0007	cable screw connection PG21
037	K3200.0005	washer A8.4	079	K6450.0005	hexagonal nut PG21
038	F9002.0660	extraction manifold	080	F9300.0016	seal (O ring)
039	K3100.0137	oval head screw M6x16	081	K3100.0142	oval head screw M6x25
040	K3100.0083	dowel pin 6x45	082	K3900.0017	housing seal
041	K3700.0034	conical plug	083	F9302.0620	housing cover
042	F9002.0930	push stick	084	K3100.0144	oval head screw M5x25

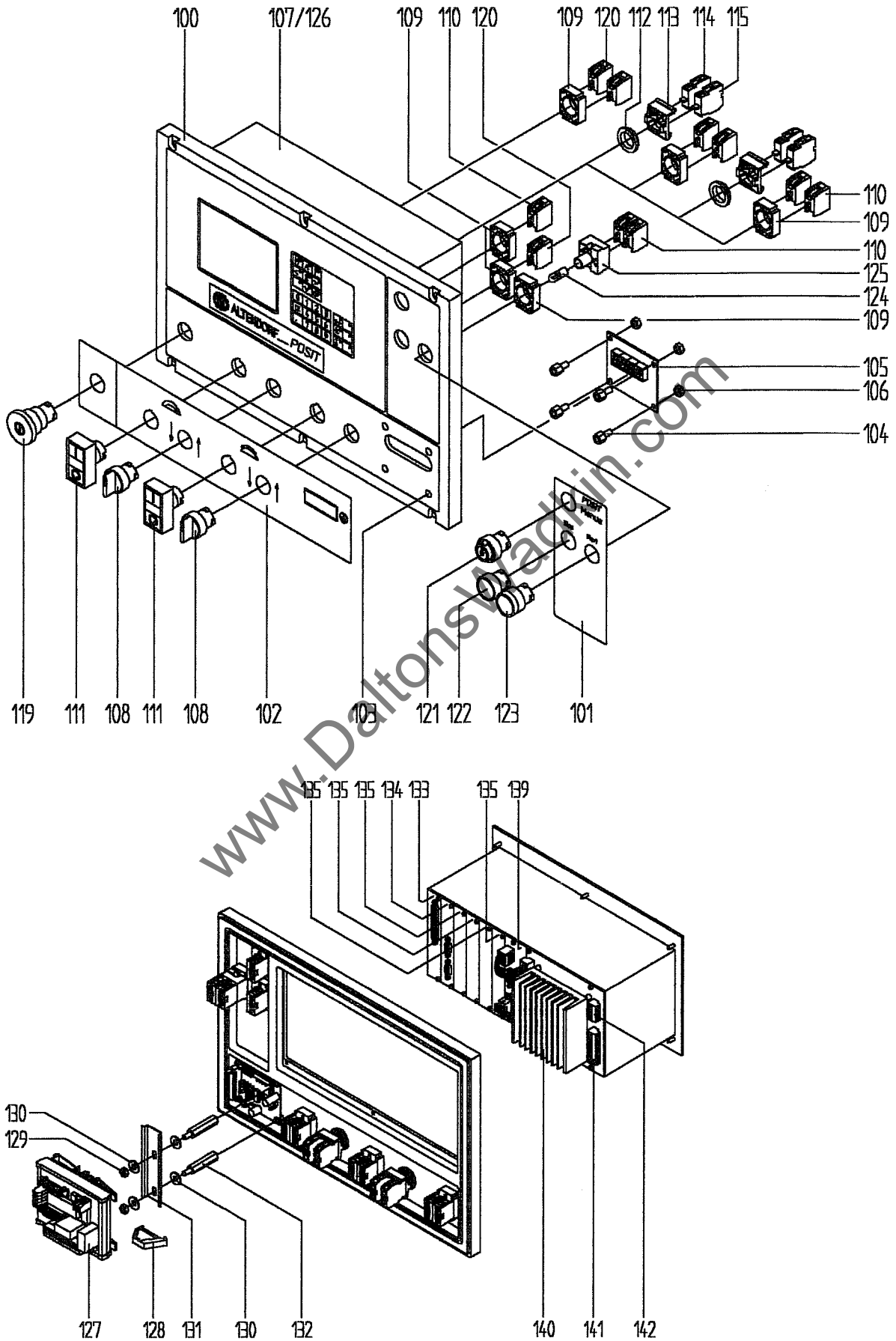
**17.3.2 Operating panel**  
**17.3.2.1 POSIT**

**Spare parts list 061**  
**Version 1.00/93**



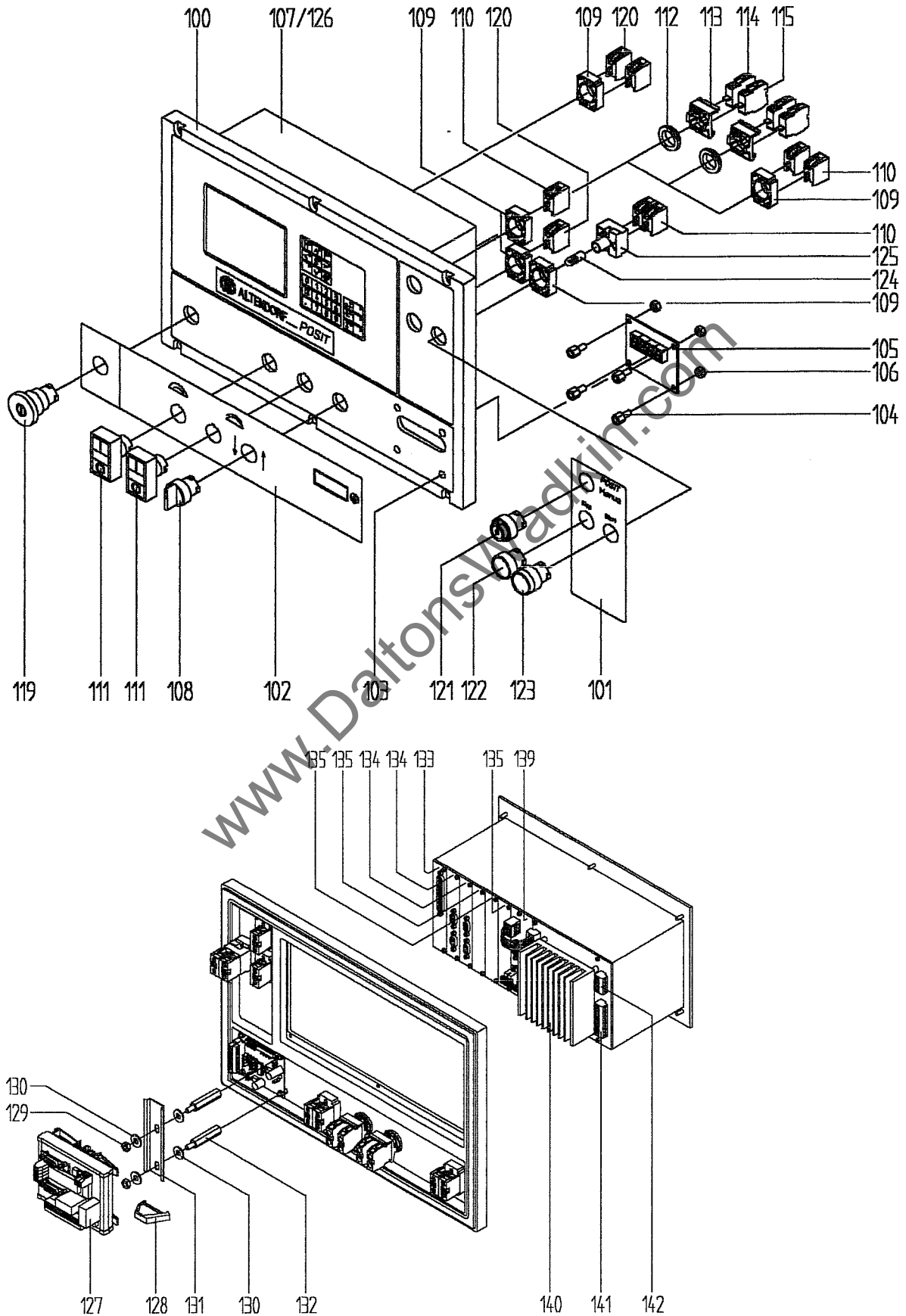
17.3.2 Operating panel  
17.3.2.2 POSIT 45

Spare parts list 061  
Version 1.00/93



17.3.2 Operating panel  
17.3.2.3 POSIT 45H

Spare parts list 061  
Version 1.00/93



## 17.3.2 Operating panel

Spare parts list 061  
Version 1.00/93

### Pos. Article No. Designation

100	F9304.0700	POSIT panel
101	F9304.0590	foil (POSIT)
101	F9304.0580	foil (POSIT 45, POST 45H)
102	F9304.0570	foil (POSIT)
102	F9304.0600	foil (POSIT 45)
102	F9304.0610	foil (POSIT 45H)
103	K3100.0143	countersunk screw M4x6
104	K6540.0006	spacer bolts M4
105	K6720.0006	combined display unit (POSIT)
106	K3200.0030	hexagonal nut M4
107	F9304.0520	positioning controls foil
108	K6320.0002	toggle switch ZB2-BD5
109	K6320.0003	bottom section
110	K6320.0004	auxiliary switching block ZB2-BE101
111	K6320.0005	twin push button
112	K6320.0006	nut
113	K6320.0007	fixing adapter
114	K6320.0008	contact element EK01
115	K6320.0009	contact element EK10
116	K6320.0010	coordinate switch
117	K6320.0011	holder
118	K6320.0012	switching element
119	K6320.0013	EMERGENCY STOP button ZB2-BC4
120	K6320.0014	auxiliary switching block ZB2-BE102
121	K6320.0015	key selector switch
122	K6320.0016	push button ZB2-BA432
123	K6340.0001	illuminated button
124	K6340.0002	lamp 30V/1.2 VA
125	K6340.0003	lower section ZB2-BW063
126	K6710.0001	positioning controls
127	K6740.0001	operating housing interface
128	K6420.0001	end support
129	K3200.0054	locking nut M4
130	K3200.0027	washer A4.3
131	F6540.0007	mounting rail
132	K6540.0004	spacer bolt
133	K6710.0002	plug-in PCB MIO-18/8
134	K6710.0003	plug-in PCB 2VRZ
135	K6710.0004	end plate
139	K6710.0005	plug-in PCB PWM/RS232
140	K6710.0006	plug-in PCB controller
141	K6720.0017	plug 1
142	K6720.0018	plug 2