



ULTRACARE

At the Cutting Edge of Industry

HT

DELTA SERIES

**THROUGH FEED FOUR
SIDE PLANING
MACHINE**

ILLUSTRATED PARTS MANUAL

PARTS MANUAL REFERENCE No 2048/1

THROUGH FEED FOUR SIDE PLANING MACHINE

MODEL: HT DELTA series

ILLUSTRATED PARTS MANUAL

Wadkin ULTRACARE Ltd.

Tel: spares +44 (0) 116 2744 500

: service +44 (0) 116 2744 544

: tooling +44 (0) 116 2744 555

Fax: +44 (0) 116 2744 567

E-mail: info@wadkinultracare.com

Web: www.wadkinultracare.com

CONTENTS

	Page Nos.
SECTION. 1 : INFEEED	1
INFEEED TABLE RISE & FALL	2 – 4
SECTION. 2 : 1st BOTTOM HEAD	5
40mm SPINDLE ASSEMBLY	6 – 7
1-13/16” & 50mm SPINDLE ASSEMBLY	8 – 9
OUTBOARD BEARING	10 – 11
HEAD DRIVE	12 – 13
RISE AND FALL	14 – 16
SECTION. 3 : FENCE SIDE HEAD	17
40mm SPINDLE ASSEMBLY	18 – 19
1-13/16” & 50mm SPINDLE ASSEMBLY	20 – 21
BEDPLATE ADJUSTMENT	22 – 23
HEAD DRIVE	24 – 25
LATERAL ADJUSTMENT	26 – 27
RISE AND FALL	28 – 29
EXTRACTION HOOD	30 – 32
SECTION. 4 : NEAR SIDE HEAD	33
40mm SPINDLE ASSEMBLY	34 – 35
1-13/16”&50mm SPINDLE ASSEMBLY	36 – 37
BEDPLATE ADJUSTMENT	38 – 39
HEAD DRIVE	40 – 41
LATERAL ADJUSTMENT	42 – 43
RISE AND FALL	44 – 45
CHIPBREAKER	46 – 50
SECTION. 5 : TOP HEAD	51
40mm SPINDLE ASSEMBLY	52 – 53
1-13/16”&50mm SPINDLE ASSEMBLY	54 – 55
OUTBOARD BEARING	56 – 57
HEAD DRIVE	58 – 59
LATERAL (AXIAL) ADJUSTMENT	60 – 61
RISE AND FALL	62 – 65
CHIPBREAKER SUPPORT	66 – 67
CHIPBREAKER	68 – 69
PNEUMATIC CHIPBREAKER	70 – 71
PAD PRESSURE	72 – 76

CONTENTS

	Page Nos.
SECTION. 6 : 2nd BOTTOM HEAD	77
40mm SPINDLE ASSEMBLY	78 – 79
1-13/16”&50mm SPINDLE ASSEMBLY	80 – 81
OUTBOARD BEARING	82 – 83
HEAD DRIVE	84 – 85
LATERAL (AXIAL) ADJUSTMENT	86 – 87
RISE AND FALL	88 – 90
 SECTION. 7 : TOP BEAM AND FEED	 91
INFEED TIMBER GATE	92 – 93
INFEED TIMBER GATE – PUSHFEED	94 – 95
BEAM ASSEMBLY	96 – 106
DRIVE MOTOR MOUNTING	107
INFEED DRIVEN NIP ROLL	108 – 111
TOP INFEED SWINGS – PUSHFEED	112 – 113
BOTTOM INFEED SWINGS – PUSHFEED	114 – 115
FEEDROLL SWING – SHAFT MOUNTED	116 – 117
FEEDROLL SWING – FLANGE MOUNTED	118 – 119
INTERMEDIATE & OUTFEED BEDROLL	120 – 121
TOP BEAM RISE AND FALL	122 – 123
TOP BEAM RISE AND FALL DRIVE SHAFTS	124 – 126
 SECTION. 8 : BEDPLATES AND FENCES	 127
BEDPLATE AND FENCE SUPPORTS	128 – 129
BEDPLATES	130 – 131
FENCES	132 – 133
PUSHFEED BEDPLATES & FENCES	134 – 136
 SECTION. 9 : TOP AND SIDE PRESSURES	 137
MOUNTING FOR TOP ROLLER PRESSURES	138 – 139
TOP ROLLER PRESURE – PNEUMATIC	140 – 141
INFEED SIDE ROLLER PRESSURE – PNEUMATIC	142 – 143
INFEED PNEU.ROLLER PRESSURE – PUSHFEED	144 – 145
PNEU.SKID PRESSURE AFTER PUSHFEED ROLLS	146 – 147
SKID PRESSURE OPPOSITE FSH – PNEUMATIC	148 – 150
 SECTION. 10 : JOINTERS (MANUAL)	 151
1 st BOTTOM HEAD JOINTER FEED CONTROL	152 – 153
1 st BOTTOM HEAD JOINTER	154 – 155
FENCE S IDE HEAD JOINTER	156 – 159
NEAR SIDE HEAD JOINTER	160 – 161
TOP HEAD JOINTER	162 – 165
2 nd BOTTOM HEAD JOINTER	166 – 170

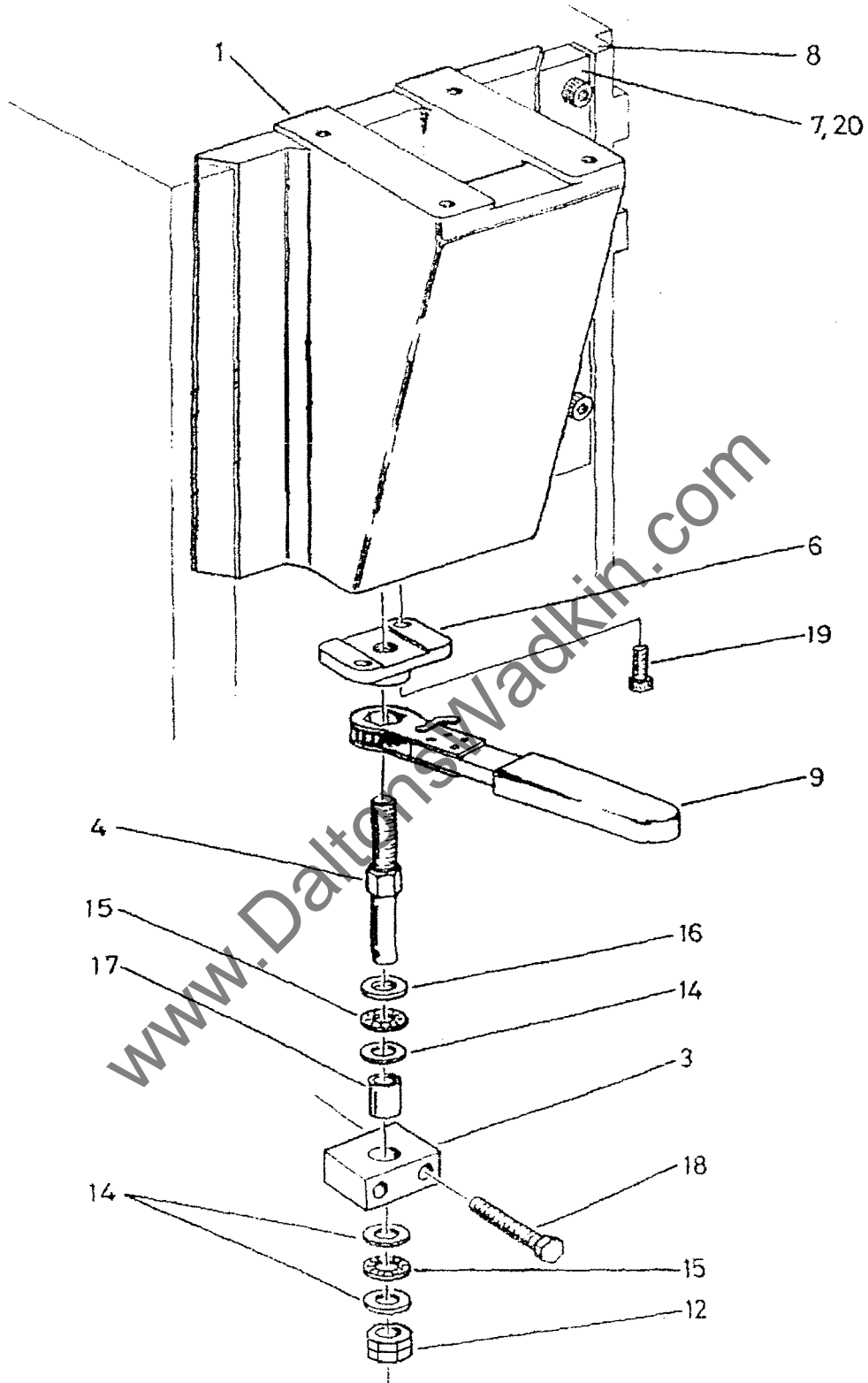
CONTENTS

	Page Nos.
SECTION. 11 : ENCLOSURES	171
HT 5	172 – 176
HT 6	177 – 181
HTPF6	182 – 188
SECTION. 12 : CIRCUITS AND CHARTS	189
BED LUBRICATION	190 – 191
CENTRALISED LUBRICATION	192 – 197
PNEUMATIC CIRCUIT	198 – 203
PNEUMATIC CONTROL PANEL	204 – 209
ELECTRICAL SYSTEM	210 – 215
HT 5 ELECTRICAL DIAGRAM 60HZ	216
HT 6 ELECTRICAL DIAGRAM 50HZ	217
HT 6 ELECTRICAL DIAGRAM 60HZ	218
MOTOR AND DRIVE BELT DATA	219 – 220
SECTION. 13 : OPTIONAL EQUIPMENT	221
ANTI-KICKBACK FINGER UNIT	222 – 224

SECTION 1 : INFEEED

www.DaltonsWadkin.com

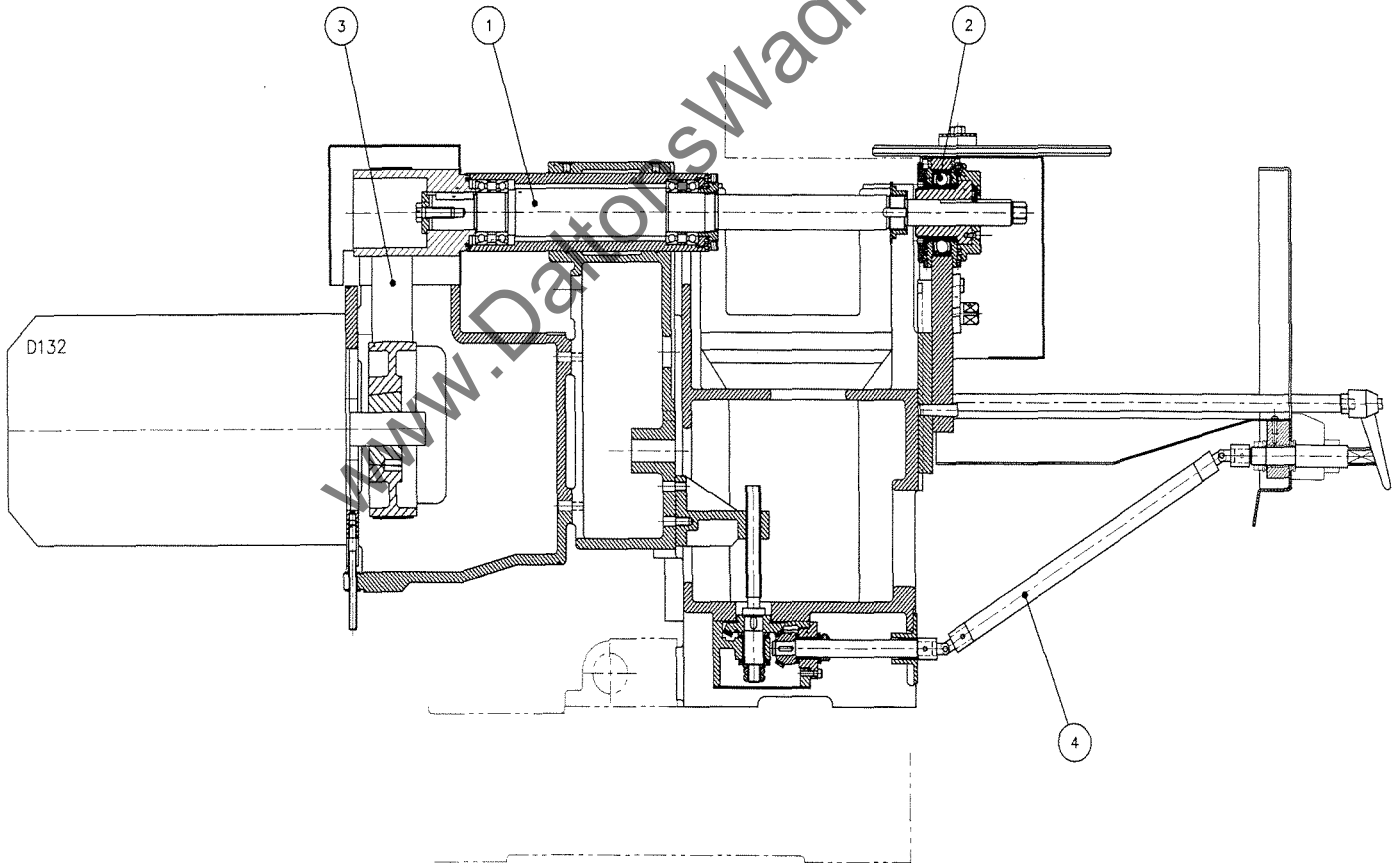
Ref.No	Part No		Description	Quantity
	Delta	Delta Plus		
1	GA20835	GA6195	Vertical Slide	1
2				
3	GA3053	GA6188	Bearing Block	1
4	GA8460	GA8460	Rise and Fall Screw	1
5				
6	GA7790	GA6189	Rise and Fall Nut	1
7	GA1728	GA21451	Slide Strip	1
8	GA20830	GA20830	Infeed Frame	1
9	K3073756	K3073756	Ratchet Spanner	1
10	K3029904	K3029904	Adj.Handle M12	1
11				
12	K0527111	K0527111	Hexagon Locknut M12	2
13				
14	K0610251	K0610251	INA`Thrust Washer	3
15	K0610211	K0610211	INA`Thrust Bearing	2
16	K0610312	K0610312	INA`Shaft Washer	1
17	K0531575		Bronze Bush 20 O/D x 16 I/D x 25 long	1
		K0531551	Bronze Bush 20 O/D x 16 I/D x 16 long	1
18	K0525732		Hexagon Head Screw M10 x 60 long	2
		K0525218	Hexagon Socket Capscrew M10 x 70 long	2
19	K0525209		Hexagon Socket Capscrew M10 x 25 long	2
		K0525215	Hexagon Socket Capscrew M10 x 55 long	2
20	K0525211		Hexagon Socket Capscrew M10 x 35 long	4
		K0525215	Hexagon Socket Capscrew M10 x 55 long	8
21	SSR257	SSR257	Scale	1



SECTION 2 : 1st BOTTOM HEAD

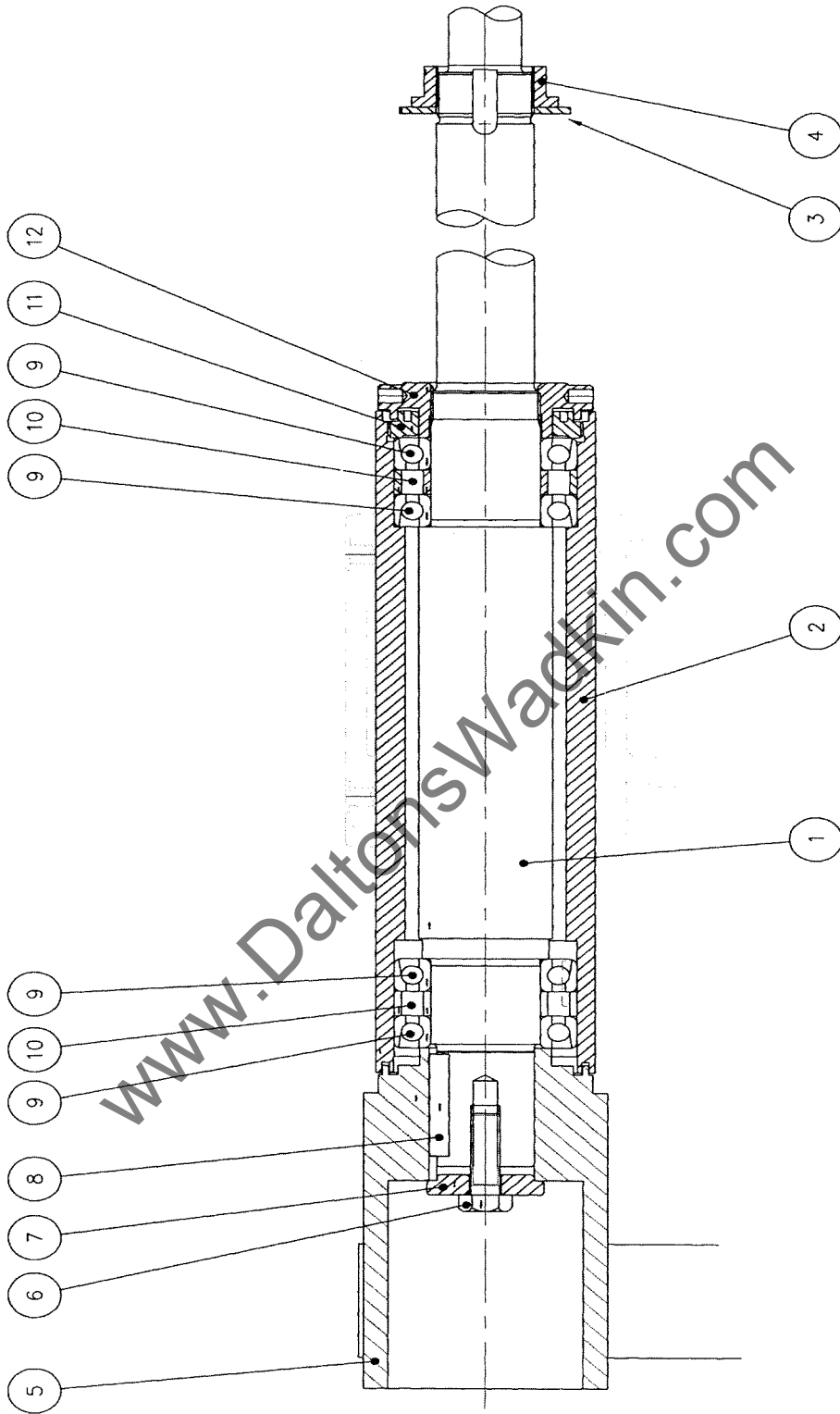
Item

- 1 1st Bottom Head Spindle Assy.40mm
1st Bottom Head Spindle Assy.1,13/16"
- 2 1st Bottom Head Outboard Bearing
- 3 1st Bottom Head Drive
- 4 1st Bottom Head Rise and Fall



40mm Dia.1st Bottom Head Spindle Assembly

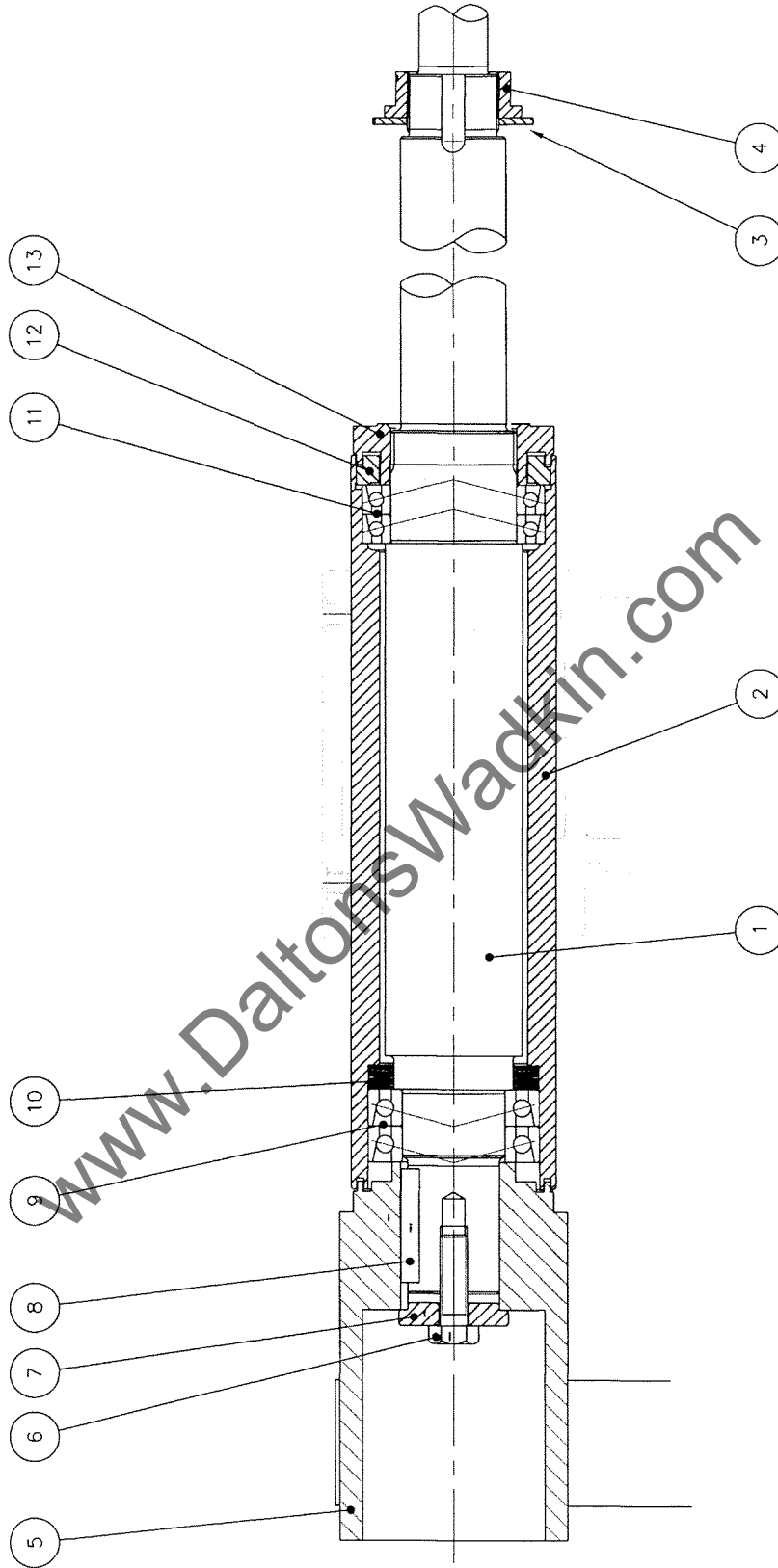
Ref.No	Part No	Description	Quantity
1	GA15329	40mm Horizontal Spindle	1
2	GA1478	Spindle Barrel	1
3	GA4788	Spindle Locking Collar	1
4	GA98	Spindle Shaft Nut	1
5	GA8674	Spindle Pulley	1
6	K0525546	Hexagon Head Screw M12 x 40 long	1
7	GA7702	Pulley Spigot for Spindle	1
8	K0523162	Parallel Key 12 x 8 x 50mm	1
9	K0601510	Paired Bearing,Kluber Grease Packed	2
10	GA8439	Bearing Spacer Ring Assembly	2
11	GA6564	Barrel Front Brg.Nut	1
12	GA6565	Spindle Front Brg.Nut	1



40mm 1st BOTTOM HEAD SPINDLE ASSEMBLY

1,13/16" & 50mm Dia.1st Bottom Head Spindle Assembly

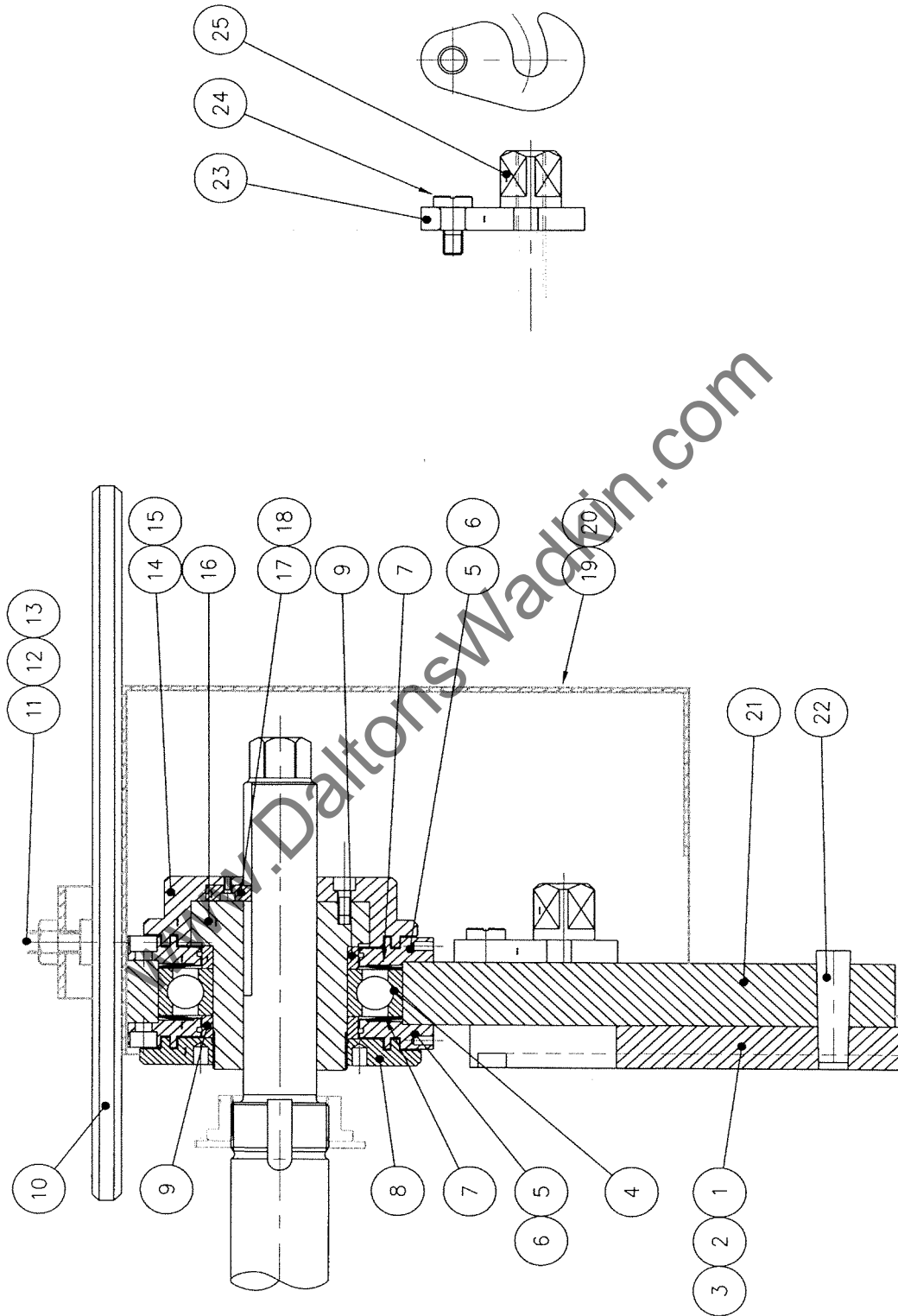
Ref.No	Part No	Description	Quantity
1	GA18587	1,13/16" Horizontal Spindle	1
	GA19523	50mm Horizontal Spindle	
2	GA3774	Spindle Barrel	1
3	GA4788	Spindle Locking Collar	1
4	GA98	Spindle Shaft Nut	1
5	GA8674	Spindle Pulley	1
6	K0525546	Hexagon Head Screw M12 x 40 long	1
7	GA7702	Pulley Spigot for Spindle	1
8	K0523162	Parallel Key 12 x 8 x 50mm	1
9	K0601510	Paired Bearing,Kluber Grease Packed	1
10	K3073996	Disc Springs	12
11	K0601169	Paired Bearing,Kluber Grease Packed	1
12	GA1707	Nut for Spindle Barrel	1
13	GA1708	Nut for Spindle Front Bearing	1



1,13/16" & 50mm 1st BOTTOM HEAD SPINDLE ASSEMBLY

1st Bottom Head Outboard Bearing

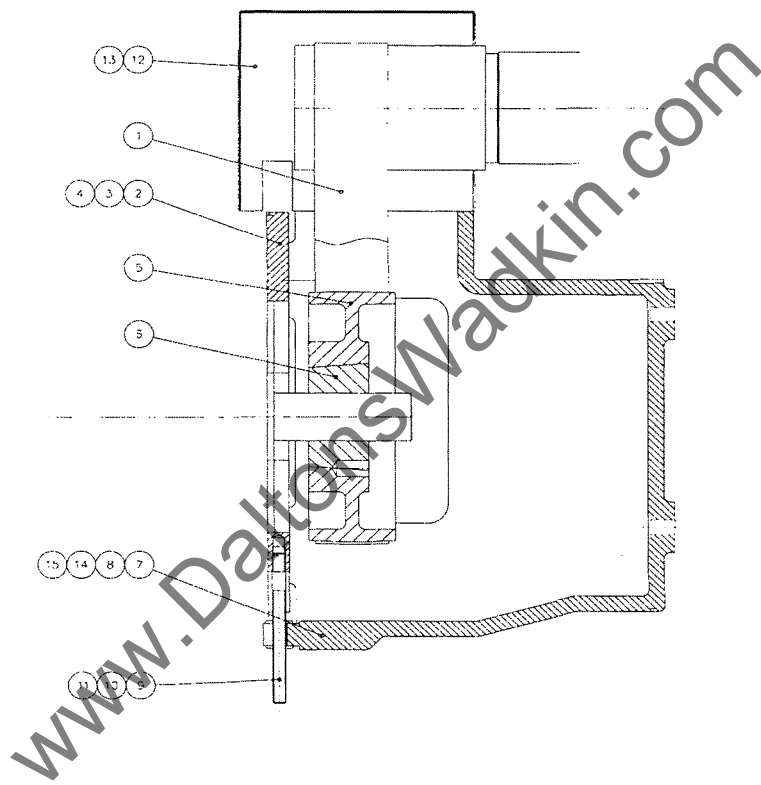
Ref.No	Part No	Description	Quantity
1	GA20865	Mounting Plate for Outboard Bearing	1
2	GA20866	Tenon for Mounting Plate	1
3	K0525783	Hex.Socket Button Head Screw M8 x 12mm	2
4	K0620110	Ball Bearing, Kluber Grease Packed	1
5	FDR4502	End Cap for Outboard Bearing	2
6	K0525164	Hex.Socket Caphead Screw M6 x 12mm	8
7	K0524203	Disc Spring 99.0 OD x 70.5 ID x 1mm	2
8	FDR4503	Locknut for Outboard Bearing	1
9	GEM3801	Spacer for Bearing	2
10	GA84	Wooden Sliding Guard	1
11	GA76	Locking Pad for Guard	1
12	GA77	Locking Screw for Guard	1
13	K0530272	Handwheel M10	1
14	FDR4504	Protective Ring for Outboard Bearing	1
15	K0525143	Hex.Socket Caphead Screw M5 x 12mm	2
16	K3073908	ETP hydrogrip Outboard Bearing Sleeve	1
17	FDR4481	Drive Key for Outboard Bearing	1
18	K0525118	Hex.Socket Caphead Screw M3 x 10mm	1
19	GA3050	Cover for Outboard Bearing	1
20	GA7913	Bracket for Sliding Guard	1
	K0525783	Hex.Socket Button Head Screw M8 x 12mm	2
21	GA20864	Housing for Outboard Bearing	1
22	K0529324	Taper Dowel Pin 12 dia.x 40 long	2
23	GA7115	C' Washer	2
24	K3072879	Shoulder Screw M8	2
25	GA15731	Collared Nut M12	2
	K0526302	Stud M12 x 80 long	2



1st BOTTOM HEAD OUTBOARD BEARING

1st Bottom Head Drive

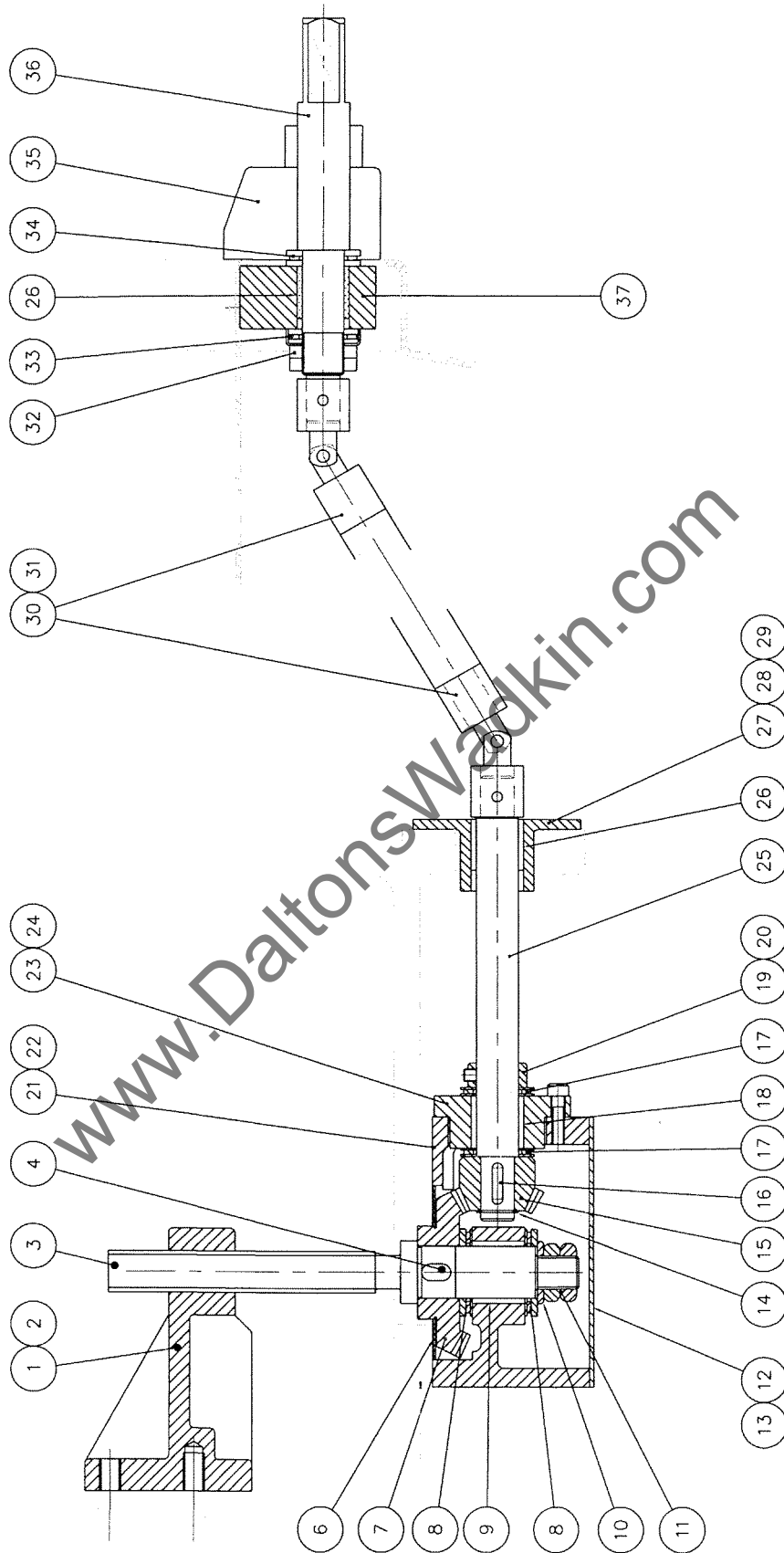
Ref.No	Part No	Description	Quantity
1	K3005564	940 x 55 Flat Belt 50HZ Drive	1
	K3005567	880 x 55 Flat Belt 60HZ Drive	1
2	GA5820	Motor Mounting Plate	1
3	K0526296	Stud M12 x 50mm long	4
4	K0527104	Hexagon Nut M12	4
	K0528105	Washer M12	4
5	GA20941	Motor Pulley,6000rpm 50HZ Drive	1
	GA20942	Motor Pulley,6000rpm 60HZ Drive	1
6	K3077194	Taperlock Bush, 38mm bore	1
7	GA4461	Motor Mounting Bracket	1
8	K0525210	Hex.Socket Caphead Screw M10 x 30mm	4
	K0526298	Stud M12 x 60mm long	4
	K0527104	Hexagon Nut M12	4
	K0528105	Washer M12	4
9	GA6170	Stud for Motor Mounting R&F Lock	1
10	K0527110	Hexagon Locknut M10	2
11	K0528104	Washer M10	2
12	GA21087	Belt Guard RH for Horizontal Heads	1
13	K0525179	Hex.Socket Caphead Screw M6 x 8mm	4
14	GA16553	Cover Plate	2
15	K0525500	Hexagon Head Screw M6 x 10mm	4
	K0528102	Washer M6	4



1st BOTTOM HEAD DRIVE

1st Bottom Head Rise & Fall

Ref.No	Part No	Description	Quantity
1	GA6774	Nut For Bottom Head Rise & Fall	1
2	K0525531	Hexagon Head Screw M10 x 30 long	4
3	GA2324	Screw for Bottom Head Rise & Fall	1
4	K0523440	Parallel Key 8 x 7 x 14mm	1
6	GA7867	Sealing Ring	1
7	GA6751	Bevel Gear 32t	1
8	K0610213	Bearing	2
	K0610254	Washer	2
	K0610310	Thrust Washer	2
9	K0531577	Oilite Bush 25 x 30 x 25 long	1
10	K0528106	Washer 16mm	1
11	K0527112	Hexagon Locknut M16	2
12	GA6761	Cover for Bevel Box	1
13	K0525137	Hex.Socket Caphead Screw M4 x 8 long	3
14	K3009298	External Circlip 16mm	1
15	GA6752	Bevel Gear 16t	1
16	K0523110	Parallel Key 5 x 5 x 20mm	1
17	K0610212	Thrust Bearing	2
	K0610252	Thrust Washer	4
18	K0531576	Oilite Bush 20 x 25 x 25 long	1
19	K0528226	Collar	1
20	K0526112	Hex.Socket Screw M6 x 6 long	1
21	GA6748	Bevel Box	1
22	K0525177	Hex.Socket Caphead Screw M6 x 75 long	4
23	GA6756	End Cap for Rise & Fall Bevel Box	1
24	K0525166	Hex.Socket Caphead Screw M6 x 20 long	3
25	GA19796	Cross Shaft for Bottom Head Rise & Fall	1
26	K0531576	Oilite Bush 20 x 25 x 25 long	2
27	GA19802	Bearing Block	1
28	K0525186	Hex.Socket Caphead Screw M8 x 16 long	2
29	K0528103	Washer 8mm	2
30	GA20860	Universal Joint for Bottom Head Rise & Fall	1
31	K0520503	Taper Pin	2
32	K0527205	Notch Nut M20	2
33	K0614241	Nadella Bearing	1
34	K0610212	Thrust Bearing	1
	K0610320	Thrust Washer	2
35	K3025500	Digital Readout (Metric)	1
	K3025501	Digital Readout (Imperial)	1
36	GA19798	Input Shaft	1
37	GA20869	Bearing Block for 1st Bottom Head	1

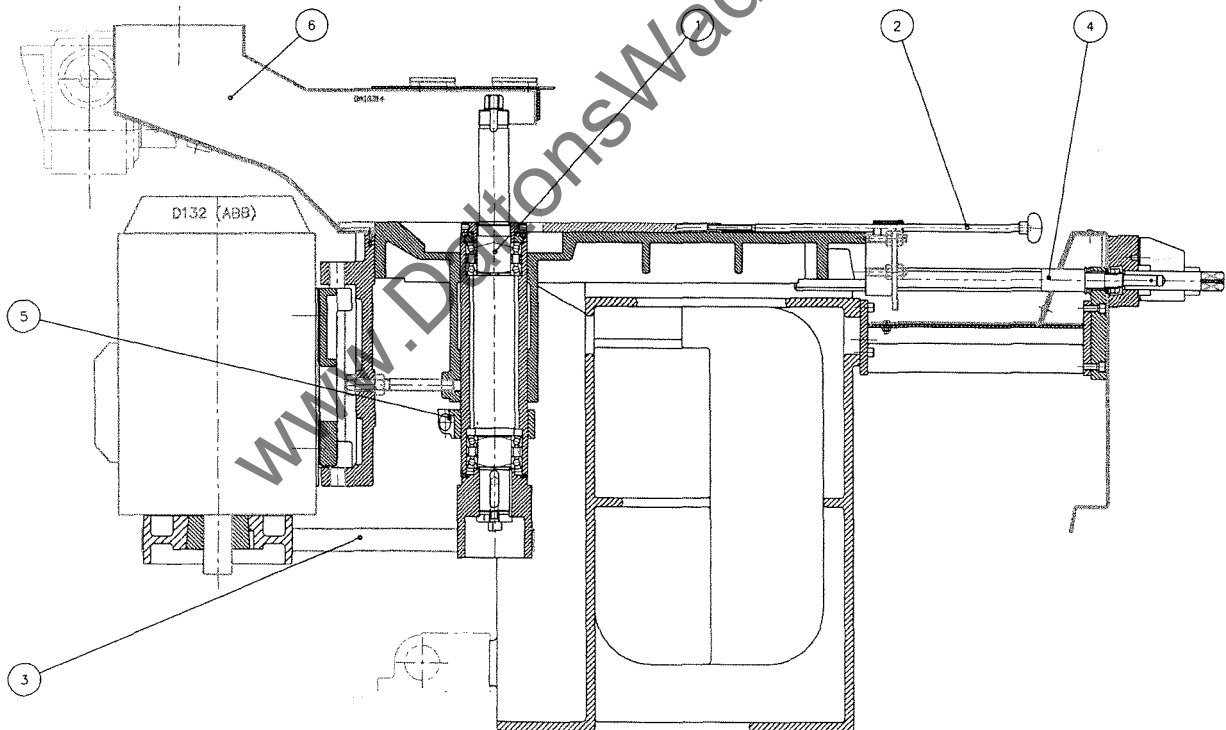


1st BOTTOM HEAD RISE & FALL

SECTION 3 : FENCE SIDE HEAD

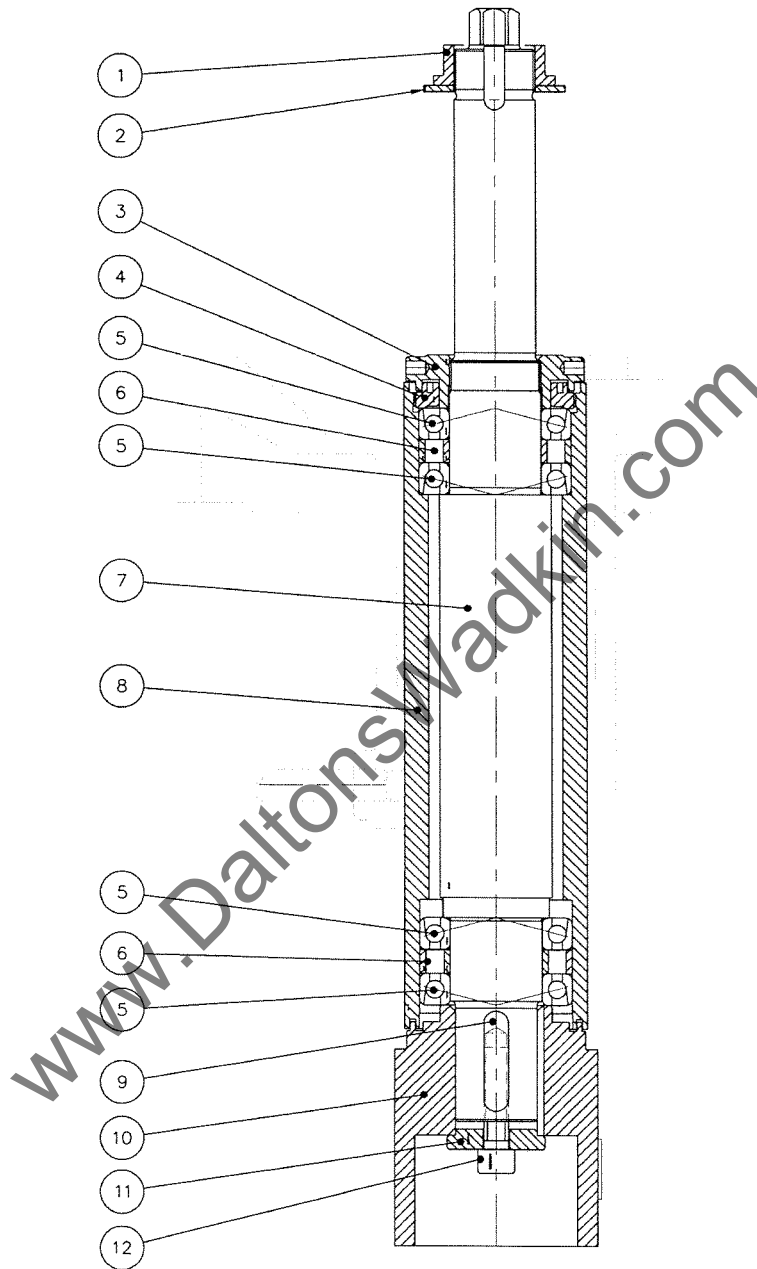
Item

- 1 Side Head Spindle Assy. 40mm
Side Head Spindle Assy. 1,13/16"
- 2 Fence Side Head Bedplate Adjust
- 3 Fence Side Head Drive
- 4 Fence Side Head Lateral Adjustm
- 5 Fence Side Head Rise & Fall
- 6 Fence Side Head Hood



40mm Dia.Fence Side Head Spindle Assembly

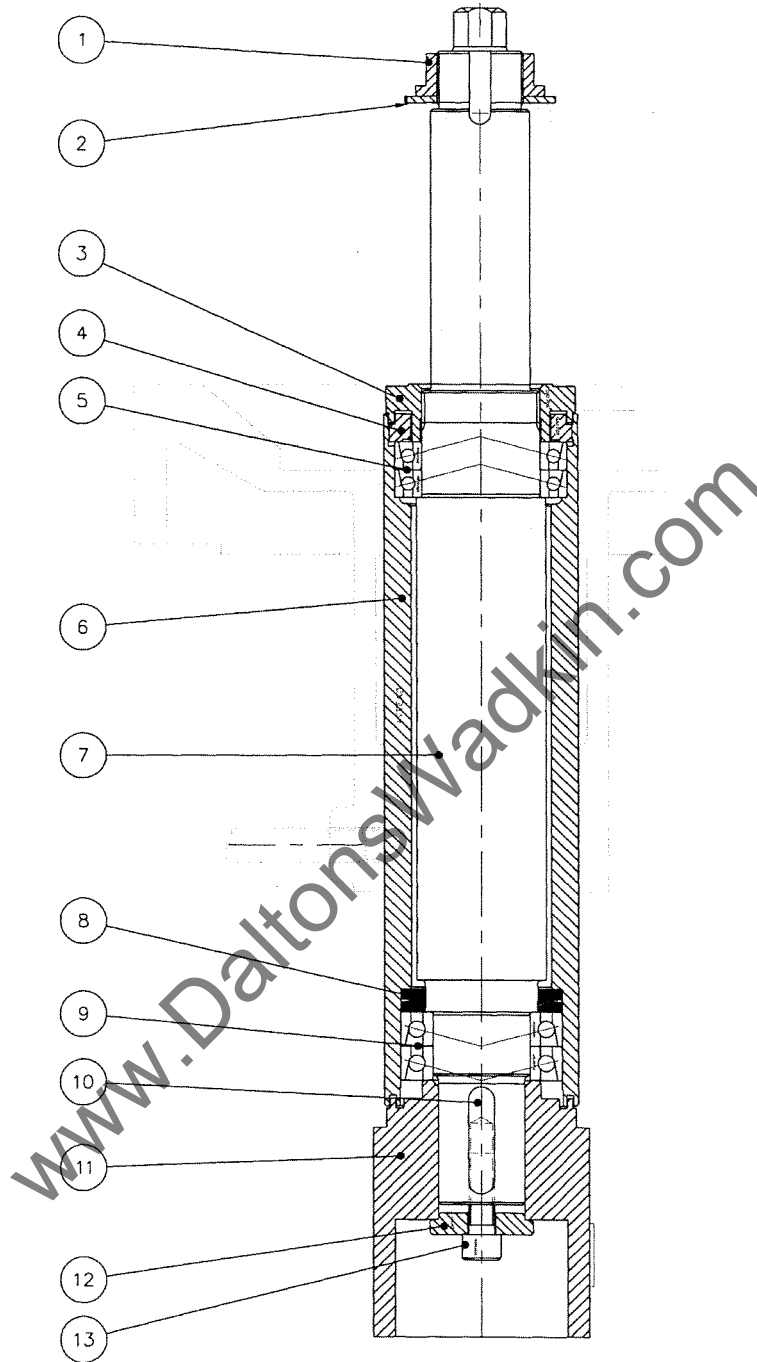
Ref.No	Part No	Description	Quantity
1	GA98	Spindle Shaft Nut	1
2	GA4788	Spindle Locking Collar	1
3	GA6565	Spindle Front Brg.Nut	1
4	GA6564	Barrel Front Brg.Nut	1
5	K0601510	Paired Bearing,Kluber Grease Packed	2
6	GA8439	Bearing Spacer Ring Assembly	2
7	GA15327	40mm Vertical Spindle	1
8	GA1478	Spindle Barrel	1
9	K0523162	Parallel Key 12 x 8 x 50mm	1
10	GA20940	Spindle Pulley	1
11	GA7702	Pulley Spigot for Spindle	1
12	K0525546	Hexagon Head Screw M12 x 40 long	1



40mm SIDE HEAD SPINDLE ASSEMBLY

1,13/16" & 50mm Dia.Fence Side Head Spindle Assembly

Ref.No	Part No	Description	Quantity
1	GA98	Spindle Shaft Nut	1
2	GA4788	Spindle Locking Collar	1
3	GA1708	Nut for Spindle Front Bearing	1
4	GA1707	Nut for Spindle Barrel	1
5	K0601169	Paired Bearing,Kluber Grease Packed	1
6	GA3774	Spindle Barrel	1
7	GA18585	1,13/16" Vertical Spindle	1
	GA19524	50mm Vertical Spindle	1
8	K3073996	Disc Springs	12
9	K0601510	Paired Bearing,Kluber Grease Packed	1
10	K0523162	Parallel Key 12 x 8 x 50mm	1
11	GA20940	Spindle Pulley	1
12	GA7702	Pulley Spigot for Spindle	1
13	K0525546	Hexagon Head Screw M12 x 40 long	1

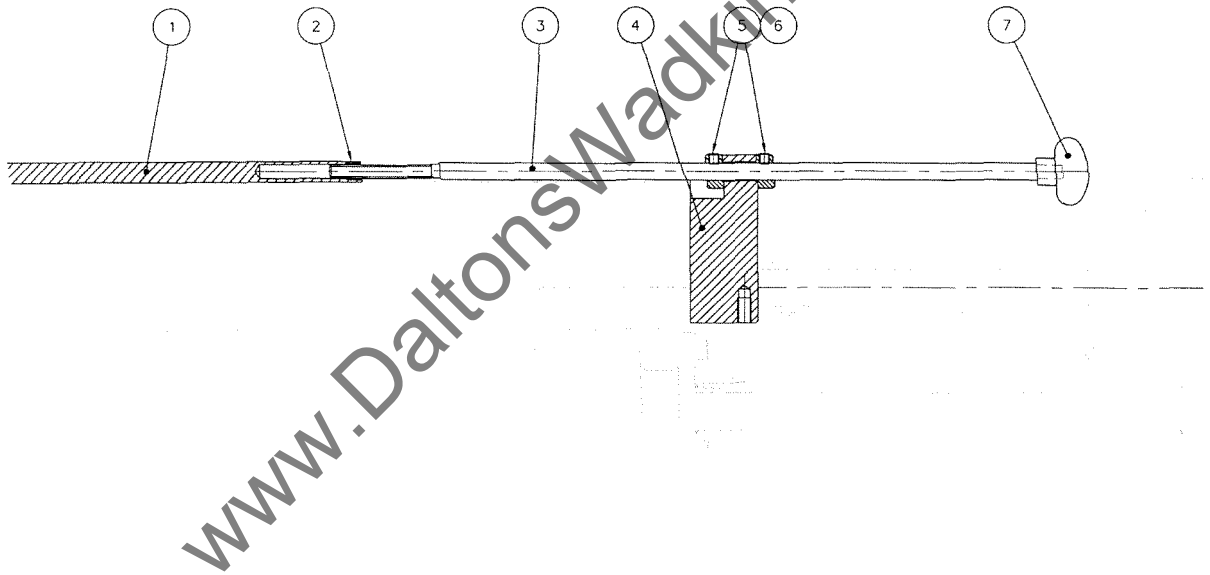


1,13/16" & 50mm SIDE HEAD SPINDLE ASSEMBLY

Fence Side Head Bedplate Adjustment

Ref.No	Part No	Description	Quantity
1	GA7281	Bedplate Opposite Fence Side Head	1
2	K3033113	Helicoil Insert M8	1
3	GA20889	Screw for Bedplate Adjustment	1
4	GA16113	Nut for Fence Side Head Traverse	1
5	K0528205	Loose Collar 10mm bore	2
6	K0526112	Hexagon Socket Screw M6 x 6 long	2
7	K5127137	Handwheel	1

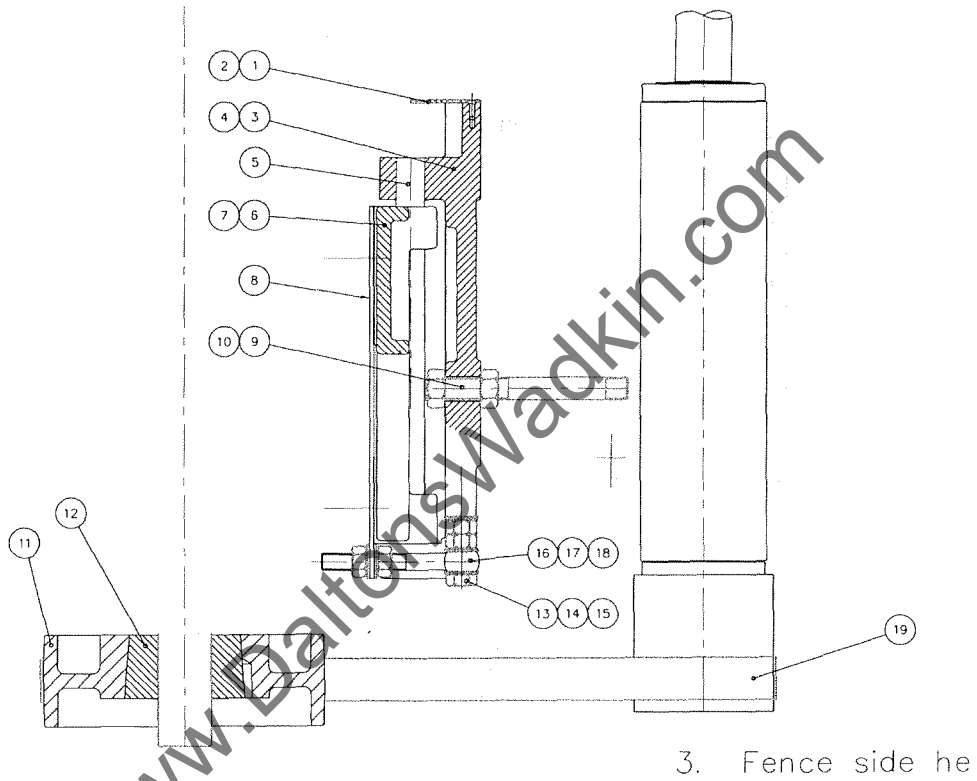
www.DaltonsWadkin.com



FENCE SIDE HEAD BEDPLATE ADJUSTMENT

Fence Side Head Drive

Ref.No	Part No	Description	Quantity
1	GA21073	Plate for Fence Side Hood	1
2	K0525310	Hex.Socket C/sunk Head Screw M4 x 12mm	3
3	GA20939	Fence Side Head Motor Bracket	1
4	K0525211	Hex.Socket Caphead Screw M10 x 35 long	4
	K0528155	Spring Coil Washer M10	4
5	GA165	Motor Bracket Pivot Shaft	1
6	GA182	Motor Bracket	1
7	K0526125	Hexagon Socket Screw M8 x 10 long	1
	K0526268	Stud M10 x 55 long	4
	K0527103	Hexagon Nut	4
	K0528104	Washer 10mm	4
8	GA21074	Motor Packing Strip	2
9	GA176	Support Stud	1
10	K0527105	Hexagon Nut M16	2
11	GA20941	Motor Pulley, 6000rpm 50HZ Drive	1
	GA20942	Motor Pulley, 6000rpm 60HZ Drive	1
12	K3077194	Taperlock Bush 38mm bore	1
13	K0525551	Hexagon Head Screw M12 x 70 long	1
14	K0528105	Washers 12mm	2
15	K0527111	Hexagon Locknut M12	2
16	K3005677	Swing Bolt M12	1
17	K0528105	Washers 12mm	2
18	K0527104	Hexagon Nut M12	2
19	K3005566	1220 x 30 Flat Belt 50HZ Drive	1
	K3005569	1145 x 30 Flat Belt 60HZ Drive	1

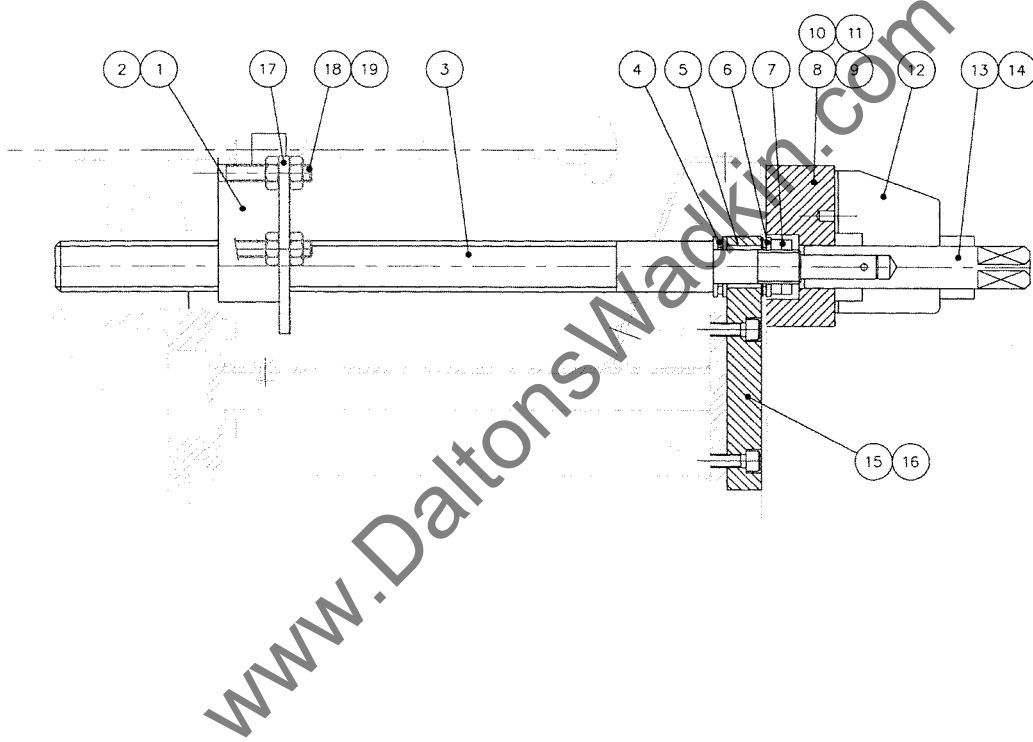


3. Fence side he

FENCE SIDE HEAD DRIVE

Fence Side Head Lateral Adjustment

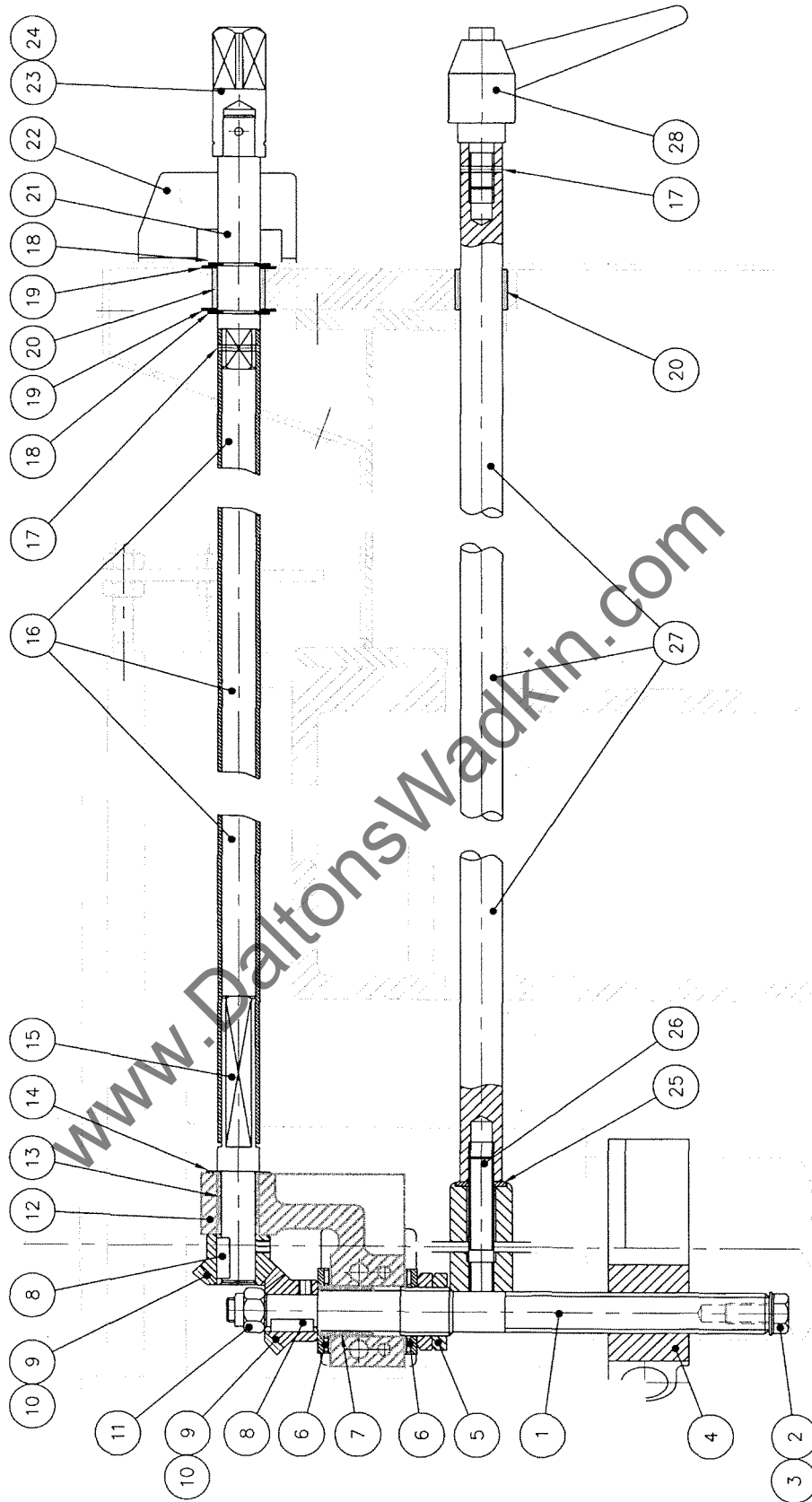
Ref.No	Part No	Description	Quantity
1	GA16113	Nut for Fence Side Head Traverse	1
2	K0525217	Hex.Socket Caphead Screw M10 x 65 long	2
3	GA16114	Screw for Fence Side Head Traverse	1
4	K0614241	Nadella Bearing	1
5	K0531564	Oilite Bush 20 x 25 x 20 long	1
6	K0610212	Thrust Bearing	1
	K0610252	Thrust Washer	1
	K0610320	Thrust Washer	1
7	K0527205	Notch Nut M20	2
8	GA20878	Side Head Lock Block	1
9	K0525173	Hex.Socket Caphead Screw M6 x 55 long	3
10	K3029900	Adj.Locking Handle M10 x 25 long	1
11	K0525472	Brass Locking Pad	1
12	K3025488	Digital Readout (Metric)	1
	K0525492	Digital Readout (Imperial)	1
13	GA20879	Extended Square End	1
14	K0520504	Taper Pin	1
15	GA20874	Side Head Windings Plate	1
16	K0525191	Hex.Socket Caphead Screw M8 x 40 long	4



FENCE SIDE HEAD LATERAL ADJUSTMENT

Fence Side Head Rise & Fall

Ref.No	Part No	Description	Quantity
1	GA8850	Rise & Fall Screw	1
2	K0525529	Hexagon Head Screw M10 x 20 long	1
3	K0528113	Large Dia.Washer 10mm	1
4	GA286	Rise & Fall Nut	1
	K0525620	Hexagon Head Screw M10 x 80 long	1
	K0528104	Washer 10mm	1
	K0527103	Hexagon Nut M10	1
5	K0527224	Notch Nut M24	2
6	K0610213	Thrust Bearing	2
	K0610254	Thrust Washer	2
	K0610310	Thrust Washer	2
7	K0531576	Oilite Bush 20 x 25 x 25 long	1
8	K0523110	Parallel Key 5 x 5 x 20mm	1
9	GA22	Bevel Gear	2
10	K0526112	Hexagon Socket Screw M6 x 6 long	2
11	K0527147	Self Lockin Nut M12	1
12	GA8851	Bevel Gear Bracket	1
13	K0531575	Oilite Bush 16 x 20 x 25 long	1
14	K0610251	Thrust Washer	1
15	GA16038	Shaft for Bevel Gear	1
16	GA20883	Tube for Fence Side Head Rise & Fall	1
17	K0520482	Tension Pin 4 dia.x 20 long	2
18	K3009923	E Retainer 20mm	2
19	K0610252	Thrust Washer	2
20	K0531564	Oilite Bush 20 x 25 x 20 long	2
21	GA16130	Shaft	1
22	K3025489	Digital Readout (Metric)	1
	K3025493	Digital Readout (Imperial)	1
23	GA15797	Square End	1
24	K0520504	Taper Pin	1
25	K0528105	Washer 12mm	1
26	K0526300	Stud M12 x 70 long	1
27	GA20884	Locking Shaft for Fence Side Head Rise & Fall	1
28	K3029902	Adj.Handlever M12 x 25 long	1

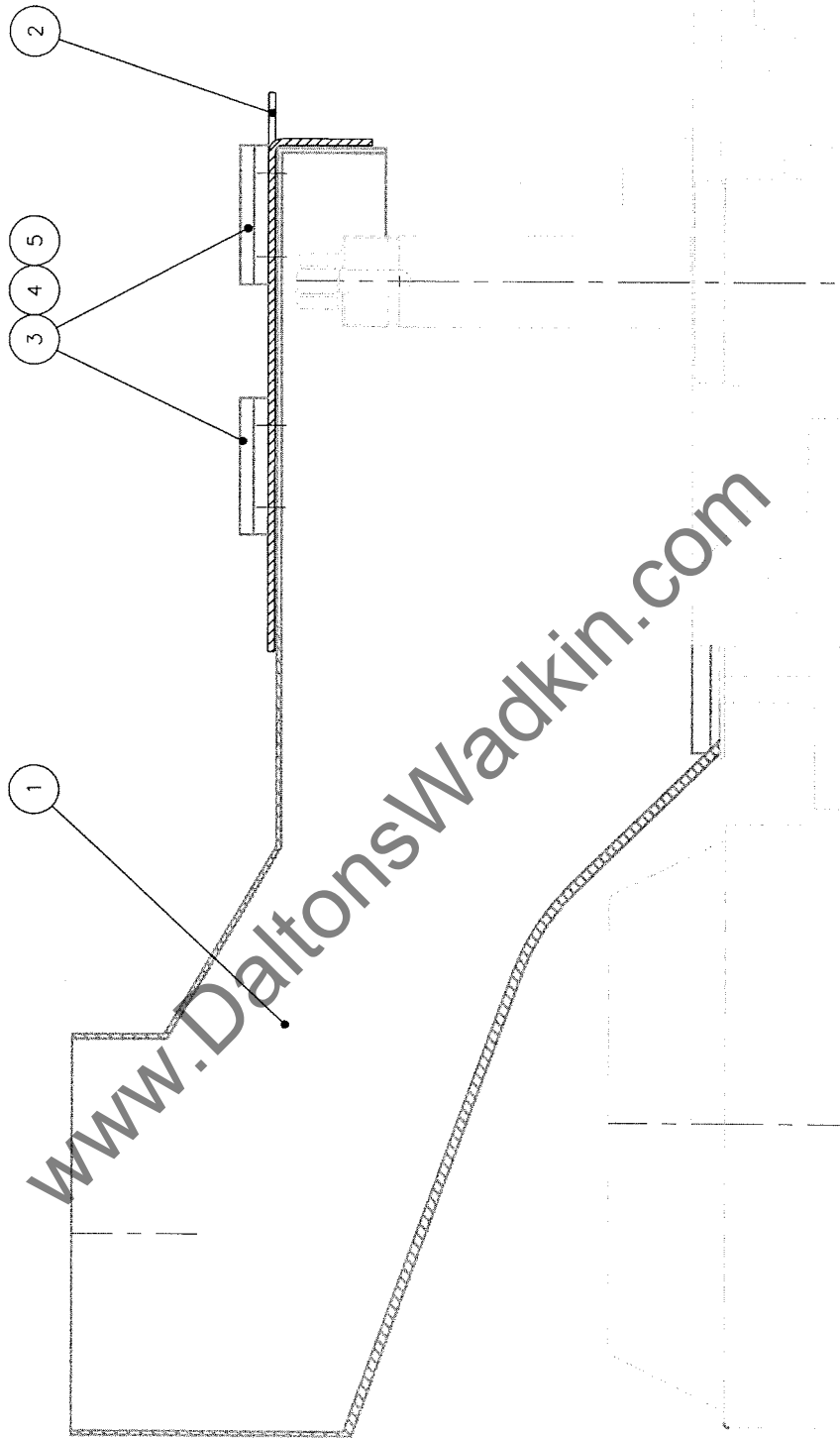


FENCE SIDE HEAD RISE & FALL

Fence Side Head Hood

Ref.No	Part No	Description	Quantity
1	GA16314	Hood for Fence Side Head	1
2	GA16337	Lid for Hood	1
3	K3029186	Hinge	2
4	K0525333	Hex.Socket C/sunk Head Screw M8 x 20mm	8
5	K0527109	Hexagon Locknut M8	8

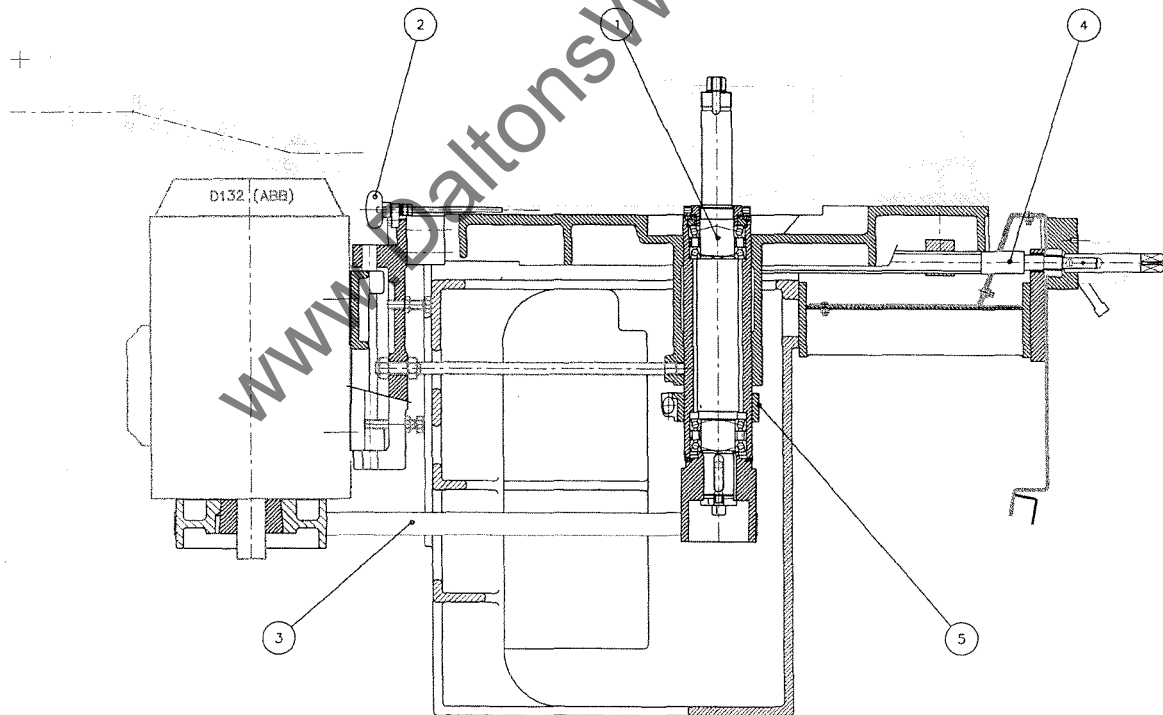
www.DaltonsWadkin.com



FENCE SIDE HEAD HOOD

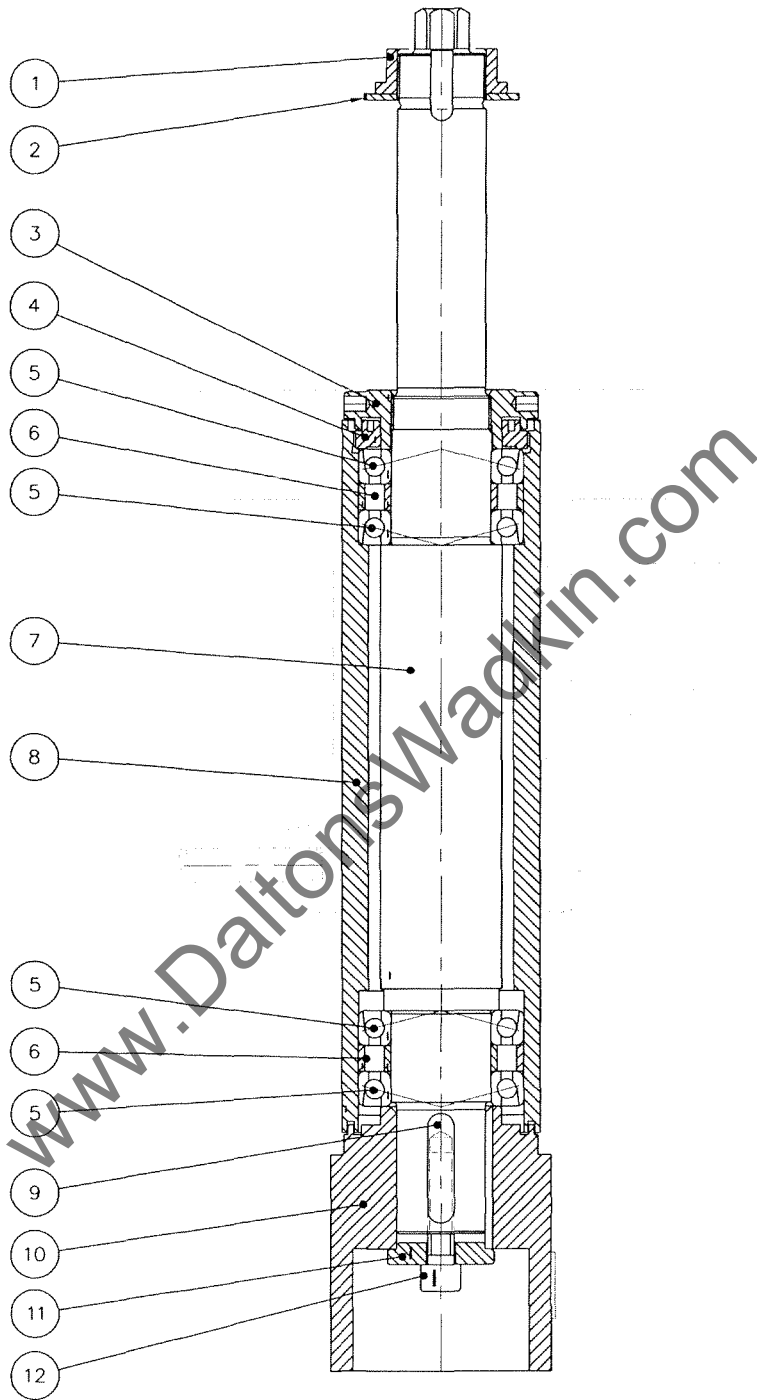
SECTION 4 : NEAR SIDE HEAD

Item		Page
1	Side Head Spindle Assy. 40mm Side Head Spindle Assy. 1,13/16"	
2	Near Side Head Bedplate Adjustment	
3	Near Side Head Drive	
4	Near Side Head Lateral Adjustment	
5	Near Side Head Rise & Fall Near Side Head Pneumatic Chipbreaker	



40mm Dia.Near Side Head Spindle Assembly

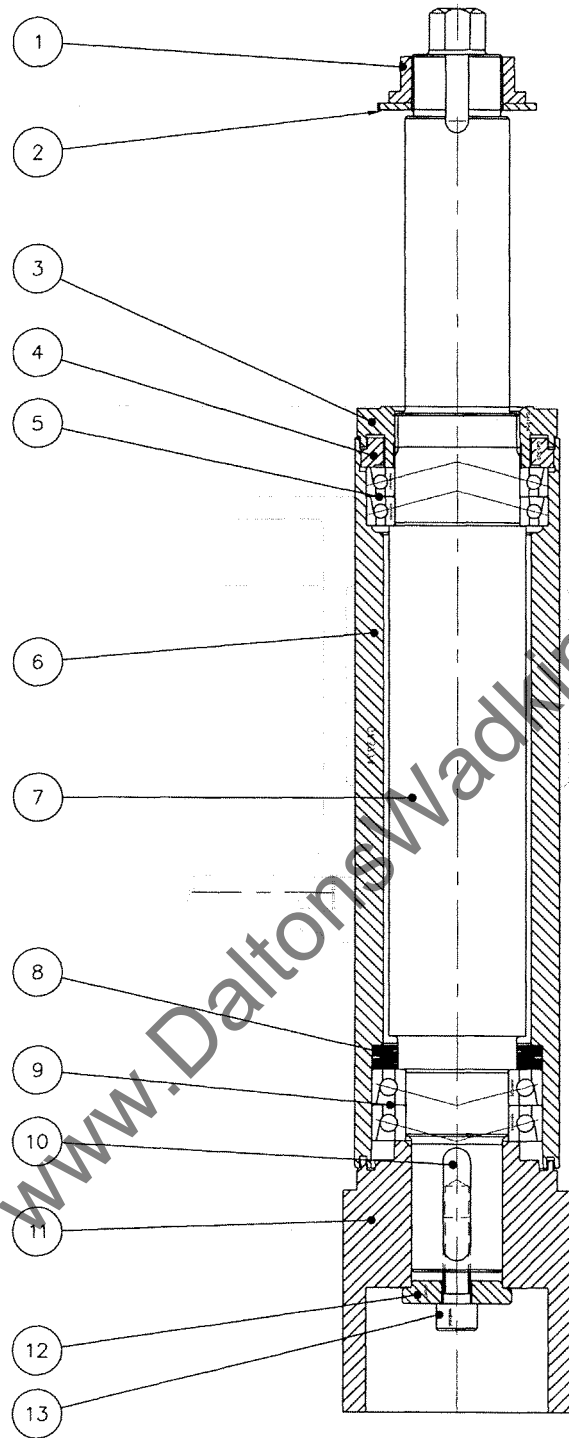
Ref.No	Part No	Description	Quantity
1	GA98	Spindle Shaft Nut	1
2	GA4788	Spindle Locking Collar	1
3	GA6565	Spindle Front Brg.Nut	1
4	GA6564	Barrel Front Brg.Nut	1
5	K0601510	Paired Bearing,Kluber Grease Packed	2
6	GA8439	Bearing Spacer Ring Assembly	2
7	GA15327	40mm Vertical Spindle	1
8	GA1478	Spindle Barrel	1
9	K0523162	Parallel Key 12 x 8 x 50mm	1
10	GA20940	Spindle Pulley	1
11	GA7702	Pulley Spigot for Spindle	1
12	K0525546	Hexagon Head Screw M12 x 40 long	1



40mm SIDE HEAD SPINDLE ASSEMBLY

1,13/16" & 50mm Dia.Near Side Head Spindle Assembly

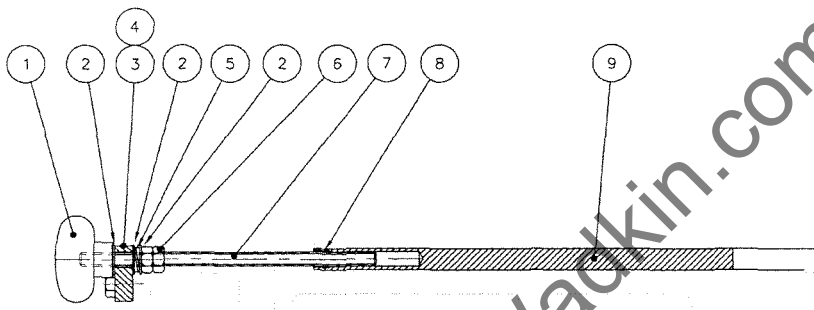
Ref.No	Part No	Description	Quantity
1	GA98	Spindle Shaft Nut	1
2	GA4788	Spindle Locking Collar	1
3	GA1708	Nut for Spindle Front Bearing	1
4	GA1707	Nut for Spindle Barrel	1
5	K0601169	Paired Bearing,Kluber Grease Packed	1
6	GA3774	Spindle Barrel	1
7	GA18585	1,13/16" Vertical Spindle	1
	GA19524	50mm Vertical Spindle	1
8	K3073996	Disc Springs	12
9	K0601510	Paired Bearing,Kluber Grease Packed	1
10	K0523162	Parallel Key 12 x 8 x 50mm	1
11	GA20940	Spindle Pulley	1
12	GA7702	Pulley Spigot for Spindle	1
13	K0525546	Hexagon Head Screw M12 x 40 long	1



1,13/16" & 50mm SIDE HEAD SPINDLE ASSEMBLY

Near Side Head Bedplate Adjustment

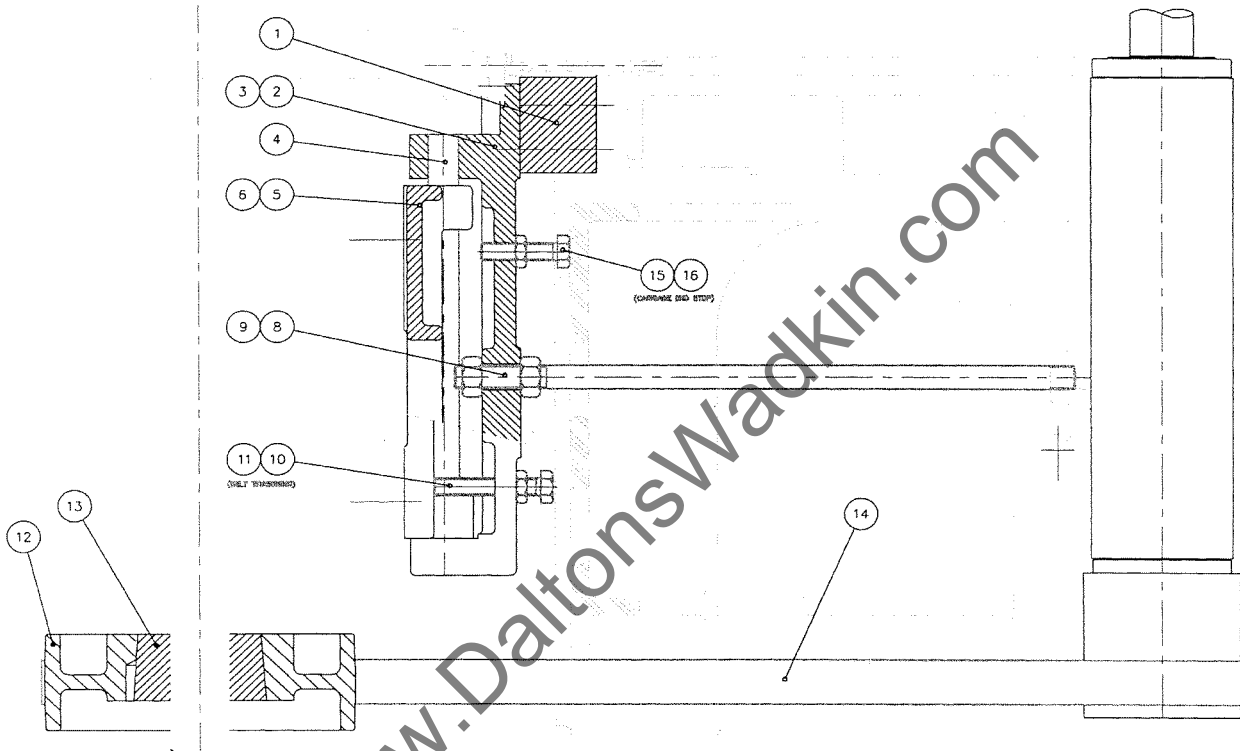
Ref.No	Part No	Description	Quantity
1	K0530271	Handwheel M8	1
2	K0528103	Washer M8	2
3	GA7794	Plate for Bedplate Adjusting Screw	1
4	K0525529	Hexagon Head Screw M10 x 20 long	2
	K0528104	Washer M10	2
5	K0528154	Spring Coil Washer M8	1
6	K0527102	Hexagon Nut M8	1
	K0527109	Hexagon Locknut M8	1
7	GA20982	Screw for Near Side Head Bedplate	1
8	K3033113	Helicoil Insert M8	1
9	GA7281	Bedplate Opposite Near Side Head	1



NEAR SIDE HEAD BEDPLATE ADJUSTMENT

Near Side Head Drive

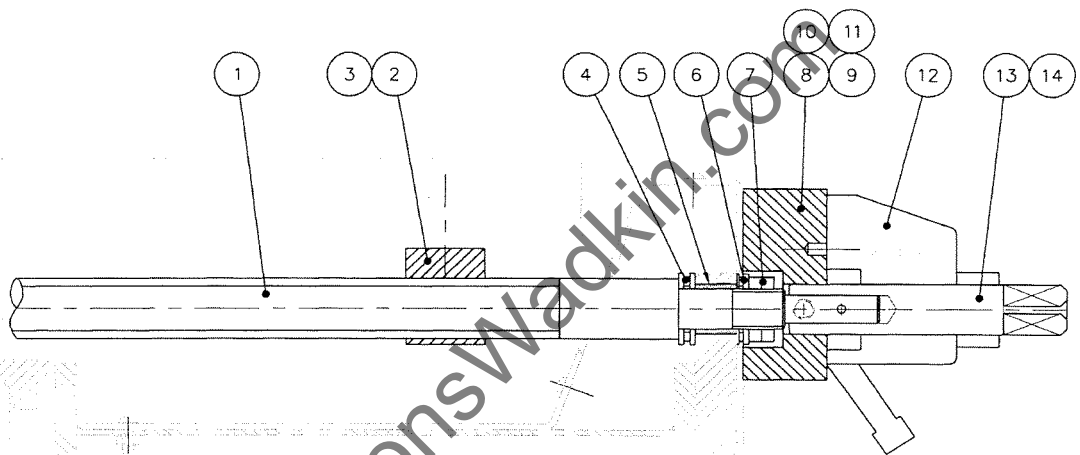
Ref.No	Part No	Description	Quantity
1	GA21055	Packing Piece for Near Side Head Carriage	1
2	GA20981	Motor Pivot Bracket	1
3	K0525211	Hex.Socket Caphead Screw M10 x 35 long	4
	K0528155	Spring Coil Washer M10	4
4	GA165	Motor Bracket Pivot Shaft	1
5	GA182	Motor Bracket	1
6	K0526125	Hexagon socket Screw M8 x 10 long	1
	K0526268	Stud M10 x 55 long	4
	K0527103	Hexagon Nut	4
	K0528104	Washer 10mm	4
8	GA20935	Stud for Near Side Head Motor Mount	1
9	K0527105	Hexagon Nut M16	2
10	K0525551	Hexagon Head Screw M12 x 70 long	1
11	K0527111	Hexagon Locknut M12	1
12	GA20941	Motor Pulley, 6000rpm 50HZ Drive	1
	GA20942	Motor Pulley, 6000rpm 60HZ Drive	1
13	K3077194	Taperlock Bush 38mm bore	1
14	K3005565	1700 x 30 Flat Belt 50HZ Drive	1
	K3005568	1650 x 30 Flat Belt 60HZ Drive	1
15	K0525548	Hexagon Head Screw M12 x 50 long	1
16	K0527111	Hexagon Locknut M12	1



NEAR SIDE HEAD DRIVE

Near Side Head Lateral Adjustment

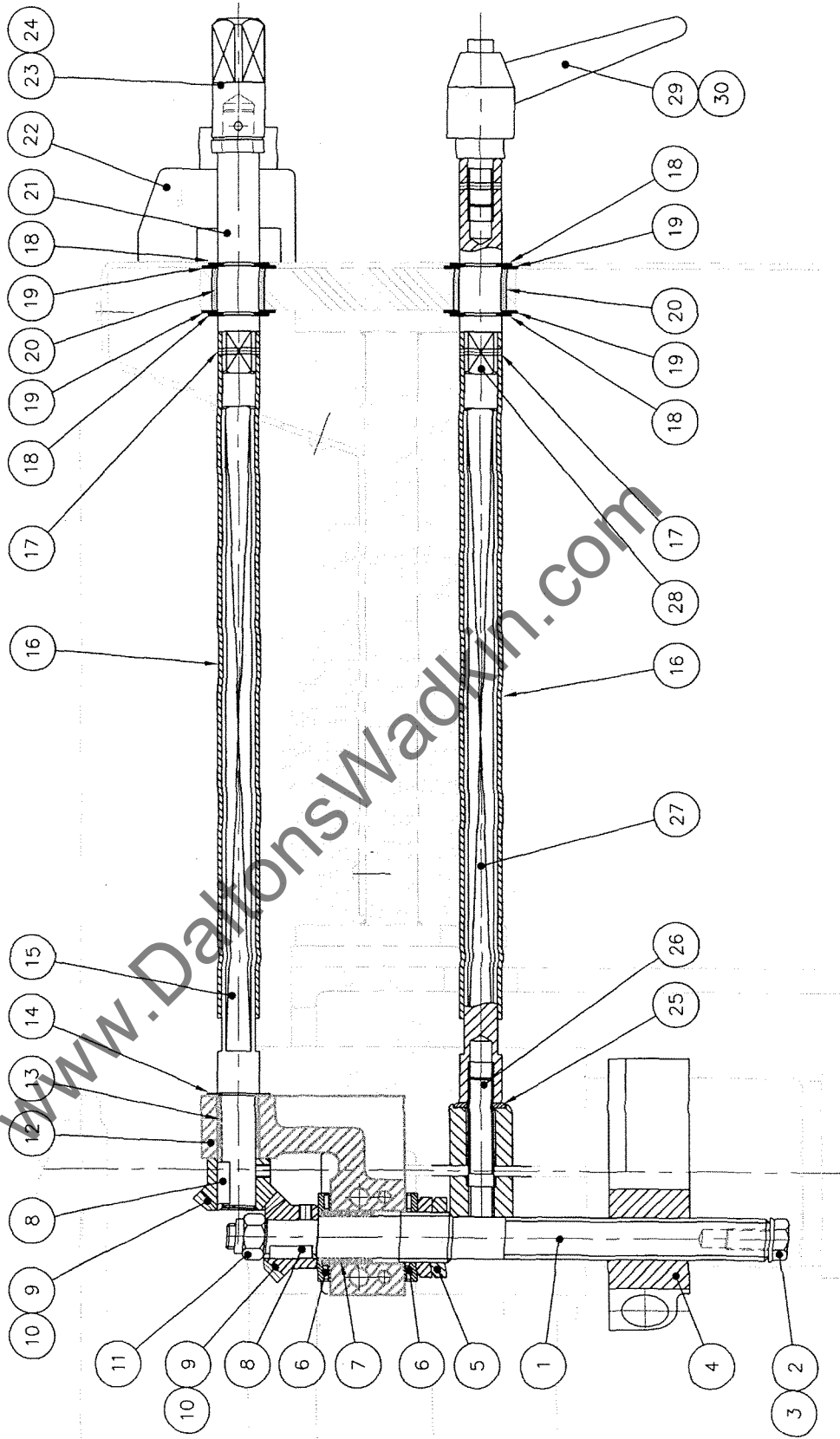
Ref.No	Part No	Description	Quantity
1	GA16114	Screw for Near Side Head Traverse	1
2	GA16112	Nut for Near Side Head Traverse	1
3	K0525233	Hex.Socket Caphead Screw M12 x 40 long	2
4	K0614241	Nadella Bearing	1
5	K0531564	Oilite Bush 20 x 25 x 20 long	1
6	K0610212	Thrust Bearing	1
	K0610252	Thrust Washer	1
	K0610320	Thrust Washer	1
7	K0527205	Notch Nut M20	2
8	GA20878	Side Head Lock Block	1
9	K0525173	Hex.Socket Caphead Screw M6 x 55 long	3
10	K3029900	Adj.Locking Handle M10 x 25 long	1
11	K0525472	Brass Locking Pad	1
12	K3025491	Digital Readout (Metric)	1
	K3025495	Digital Readout (Imperial)	1
13	GA20879	Extended Square End	1
14	K0520504	Taper Pin	1
15	GA20874	Side Head Windings Plate	1
16	K0525191	Hex.Socket Caphead Screw M8 x 40 long	4



NEAR SIDE HEAD LATERAL ADJUSTMENT

Near Side Head Rise & Fall

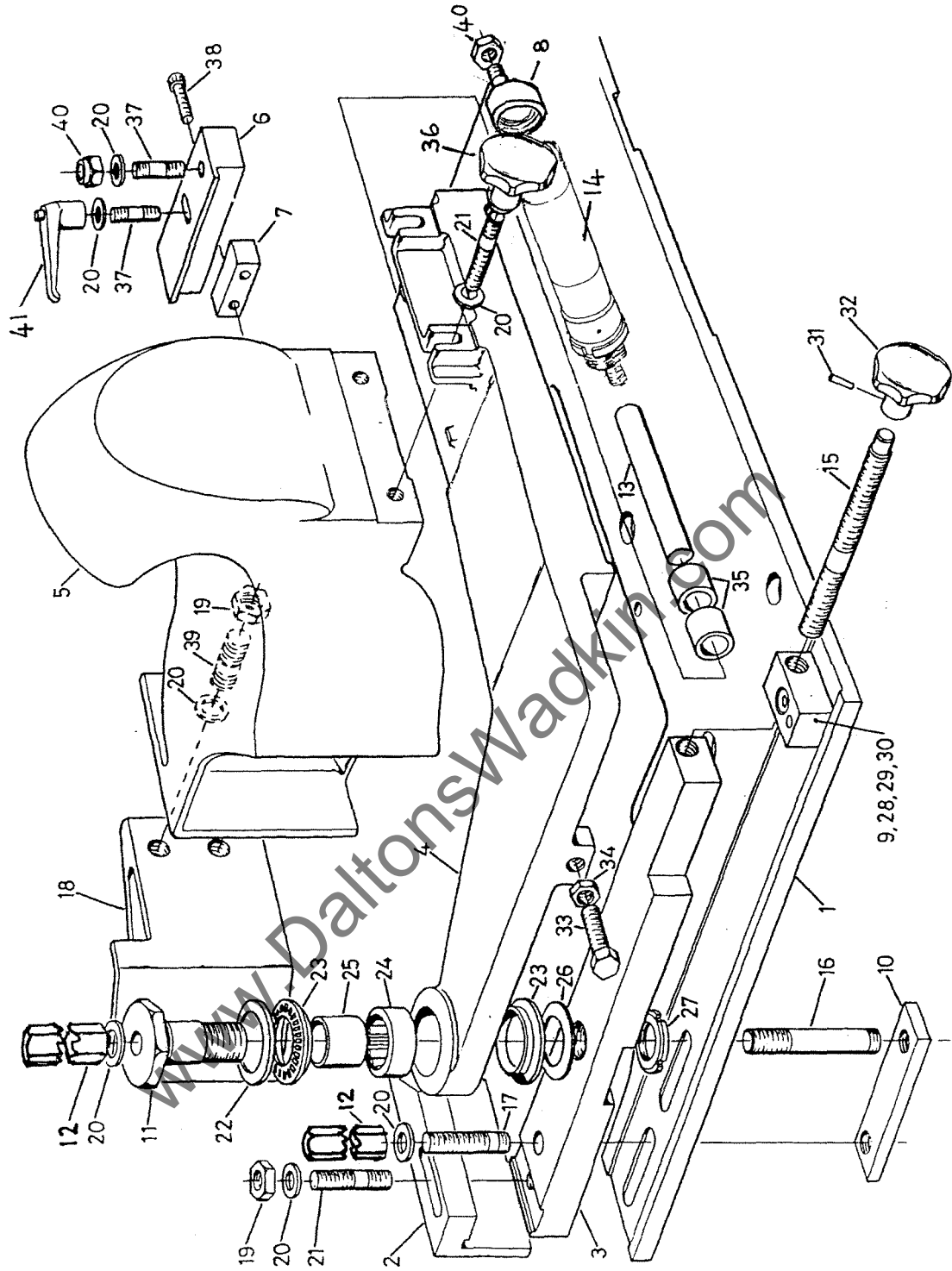
Ref.No	Part No	Description	Quantity
1	GA8850	Rise & Fall Screw	1
2	K0525529	Hexagon Head Screw M10 x 20 long	1
3	K0528113	Large Dia.Washer 10mm	1
4	GA286	Rise & Fall Nut	1
	K0525620	Hexagon Head Screw M10 x 80 long	1
	K0528104	Washer 10mm	1
	K0527103	Hexagon Nut M10	1
5	K0527224	Notch Nut M24	2
6	K0610213	Thrust Bearing	2
	K0610254	Thrust Washer	2
	K0610310	Thrust Washer	2
7	K0531576	Oilite Bush 20 x 25 x 25 long	1
8	K0523110	Parallel Key 5 x 5 x 20mm	1
9	GA22	Bevel Gear	2
10	K0526112	Hexagon Socket Screw M6 x 6 long	2
11	K0527147	Self Lockin Nut M12	1
12	GA8851	Bevel Gear Bracket	1
13	K0531575	Oilite Bush 16 x 20 x 25 long	1
14	K0610251	Thrust Washer	1
15	GA20881	Shaft for Bevel Gear	1
16	GA20882	Tube for Near Side Head Rise & Fall	2
17	K0520482	Tension Pin 4 dia.x 20 long	2
18	K3009923	E Retainer 20mm	4
19	K0610252	Thrust Washer	4
20	K0531564	Oilite Bush 20 x 25 x 20 long	2
21	GA16130	Shaft	1
22	K3025489	Digital Readout (Metric)	1
	K3025493	Digital Readout (Imperial)	1
23	GA15797	Square End	1
24	K0520504	Taper Pin	1
25	K0528105	Washer 12mm	1
26	K0526300	Stud M12 x 70 long	1
27	GA20885	Locking Shaft for Near Side Head Rise & Fall	1
28	GA20886	Lock for Near Side Head Rise & Fall	1
29	K3029902	Adj.Handlever M12 x 25 long	1
30	K0520482	Tension Pin 4 dia x 20 long	1



NEAR SIDE HEAD RISE & FALL

Near Side Head Pneumatic Chipbreaker

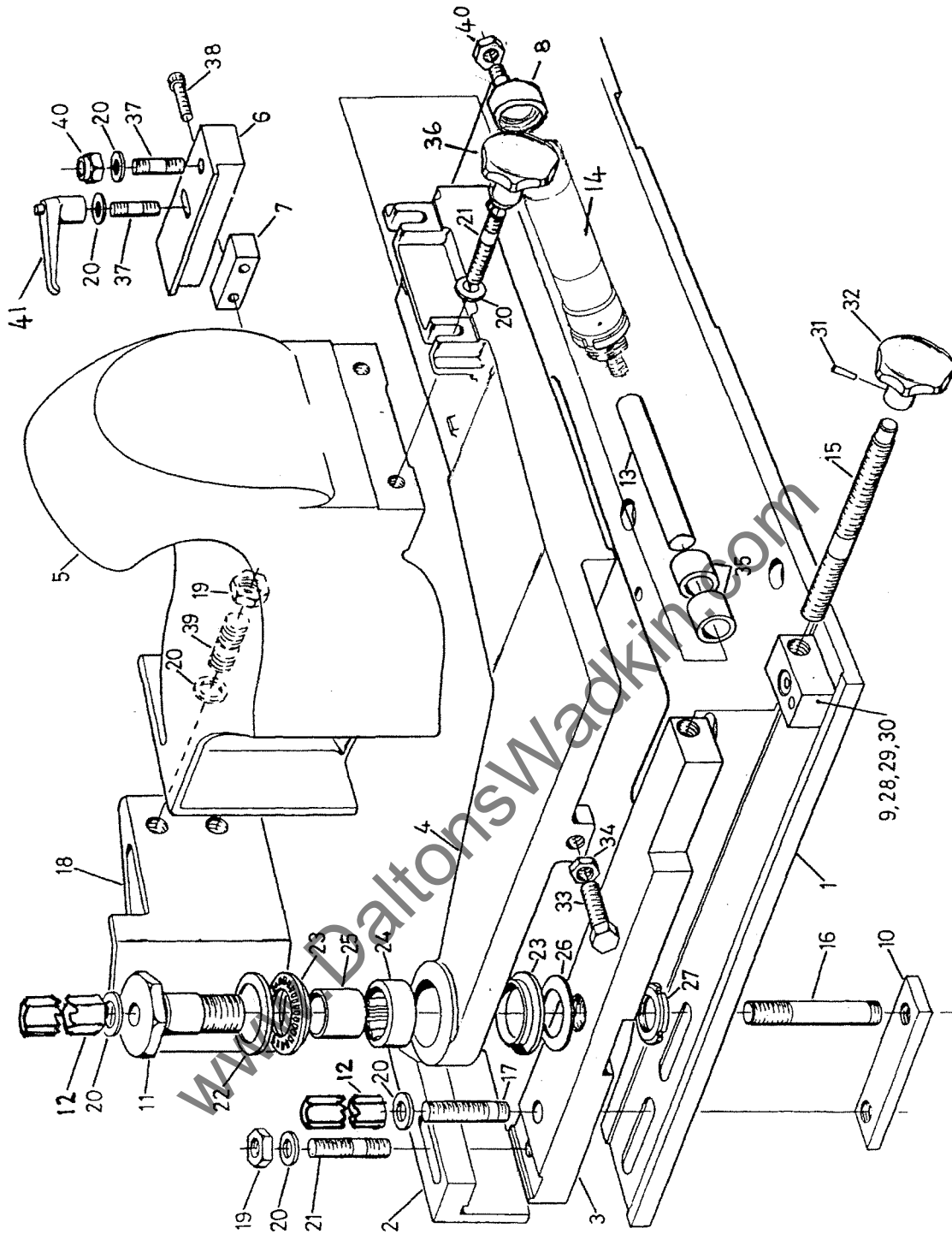
Ref.No	Part No	Description	Quantity
1	GA17390	Plate for Mounting Near Side Head Chipbreaker	1
	K0525209	Hex.Socket Caphead Screw M10 x 25 long	4
	K0520536	Tension Pin 8 dia.x 32 long	3
	K0529132	Dowel Pin 6 dia.x 30 long	1
	K0525531	Hexagon Head Screw M10 x 30 long	1
	K0527103	Hexagon Nut M10	1
2	GA4962	Pad for Near Side Head Side Guide	1
	GA4963	Tenon for Pad	1
	K0520481	Tension Pin 4 dia.x 16 long	2
	K0525188	Hex.Socket Caphead Screw M8 x 25 long	2
3	GA15335	Block for Mounting Near Side Head Chipbreaker	1
	GA7931	Guard Plate	1
	K0525324	Hex.Socket C/Sink Head Screw M6 x 12 long	2
4	GA3570	Arm for Near Side Head Chipbreaker	1
5	GA7852	Hood for Near Side Head	1
6	GA8134	Latch for Near Side Head Chipbreaker	1
7	GA7948	Block for Retaining Near Side Head Chipbreaker	1
8	GA3564	Cylinder Mounting Cap	1
9	GA7946	Block for Near Side Head Adjustment	1
10	GA7947	Clamp for Near Side Head Adjustment	1
11	GA7926	Bolt for Near Side Head Chipbreaker Pivot	1
12	GA19417	Extended Nut M12	2
13	GA7943	Plunger	1
14	K3063720	Pneumatic Cylinder	1
	K3063153	Swivel Elbow 1/8"BSP/6mm	1
15	GA7938	Screw for Side Guide Adjustment	1
16	GA8311	Stud for Pivot Bolt	1



NEAR SIDE HEAD PNEUMATIC CHIPBREAKER

Near Side Head Pneumatic Chipbreaker

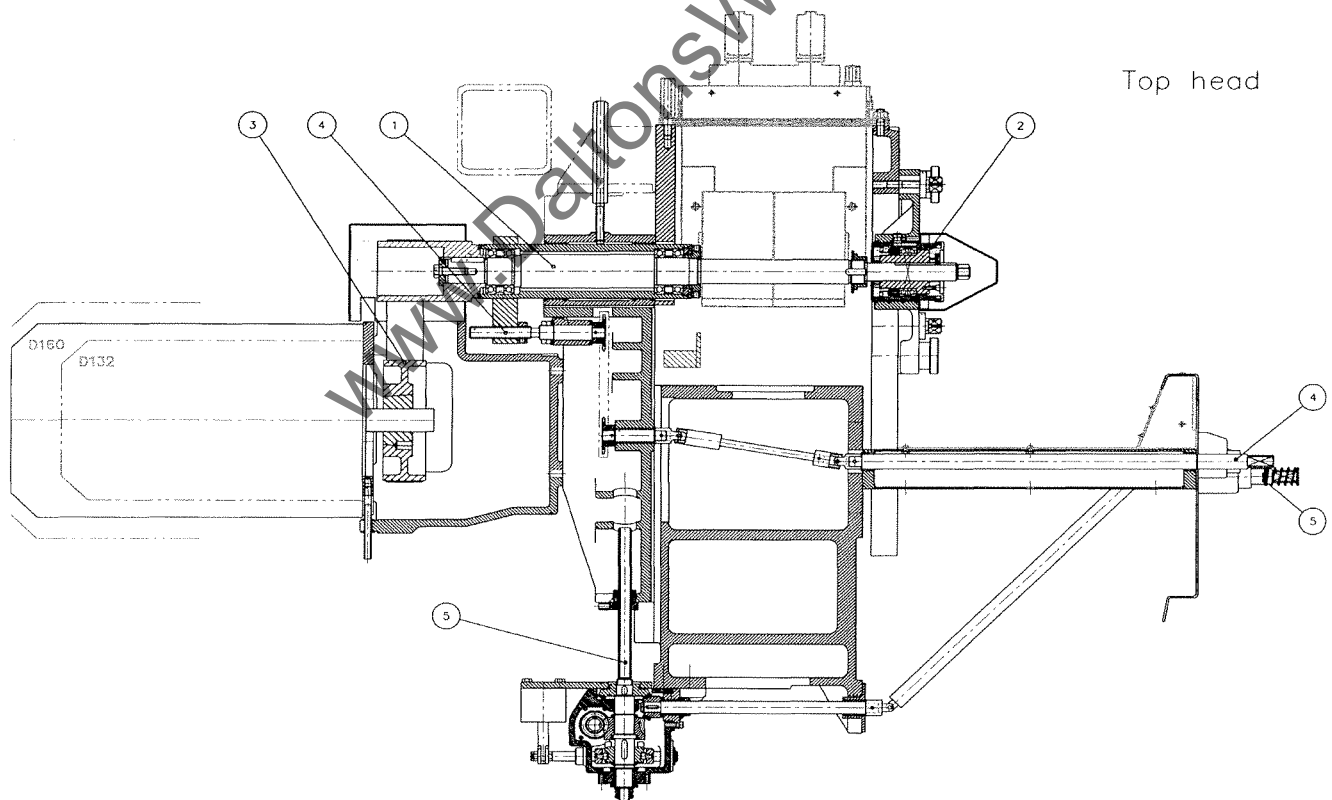
Ref.No	Part No	Description	Quantity
17	GA8312	Stud for Block	1
18	GA7925	Shoc for Chipbreaker	1
19	K0527104	Hexagon Nut M12	3
20	K0528105	Washer 12mm	11
21	K0526297	Stud M12 x 55 long	3
22	K0610323	Thrust Washer	1
23	K0610357	Thrust Bearing	2
24	K0615145	Needle Bearing	1
25	K0616155	Inner Ring IR25 x 30 x 30	1
26	K0610253	Thrust Washer	1
27	K0527224	Notch Nut M24	1
28	K0520538	Tension Pin 8 dia.x 40 long	1
29	K0525211	Hex.Socket Caphead Screw M10 x 35 long	1
30	K3033114	Helicoil Insert M12	1
31	K0520504	Taper Pin	1
32	K0530256	Handwheel 10mm bore	1
33	K0525545	Hexagon Head Screw M12 x 35 long	1
34	K0527111	Hexagon Locknut M12	1
35	K0531551	Oilite Bush 16 x 20 x 16 long	2
36	K0530252	Handwheel M12	2
37	K0526299	Stud M12 x 65 long	2
38	K0525231	Hex.Socket Caphead Screw M12 x 30 long	2
39	K0526295	Stud M12 x 45 long	2
40	K0527147	Self Locking Nut M12	2
41	K3029904	Adj.Handlever M12	1



NEAR SIDE HEAD PNEUMATIC CHIPBREAKER

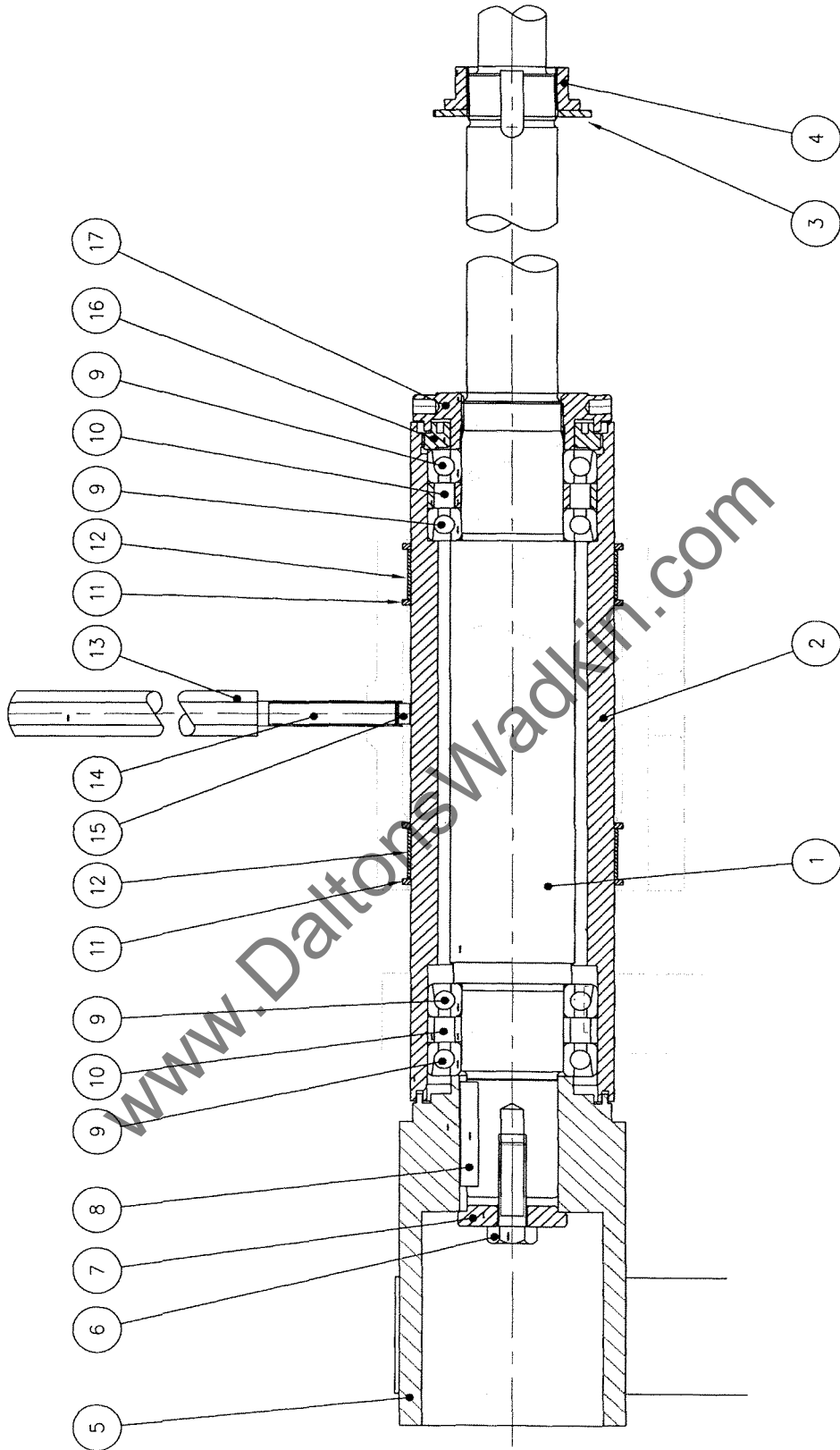
SECTION 5 : TOP HEAD

Item	Page
1	Top Head Spindle Assy. 40mm Top Head Spindle Assy. 1,13/16"
2	Top Head Outboard Bearing
3	Top Head Drive
4	Top Head Axial Adjustment
5	Top Head Rise and Fall Top Head Chipbreaker Support Top Head Chipbreaker Top Head Pneumatic Chipbreaker Top Head Pad Pressure



40mm Dia.Top Head Spindle Assembly

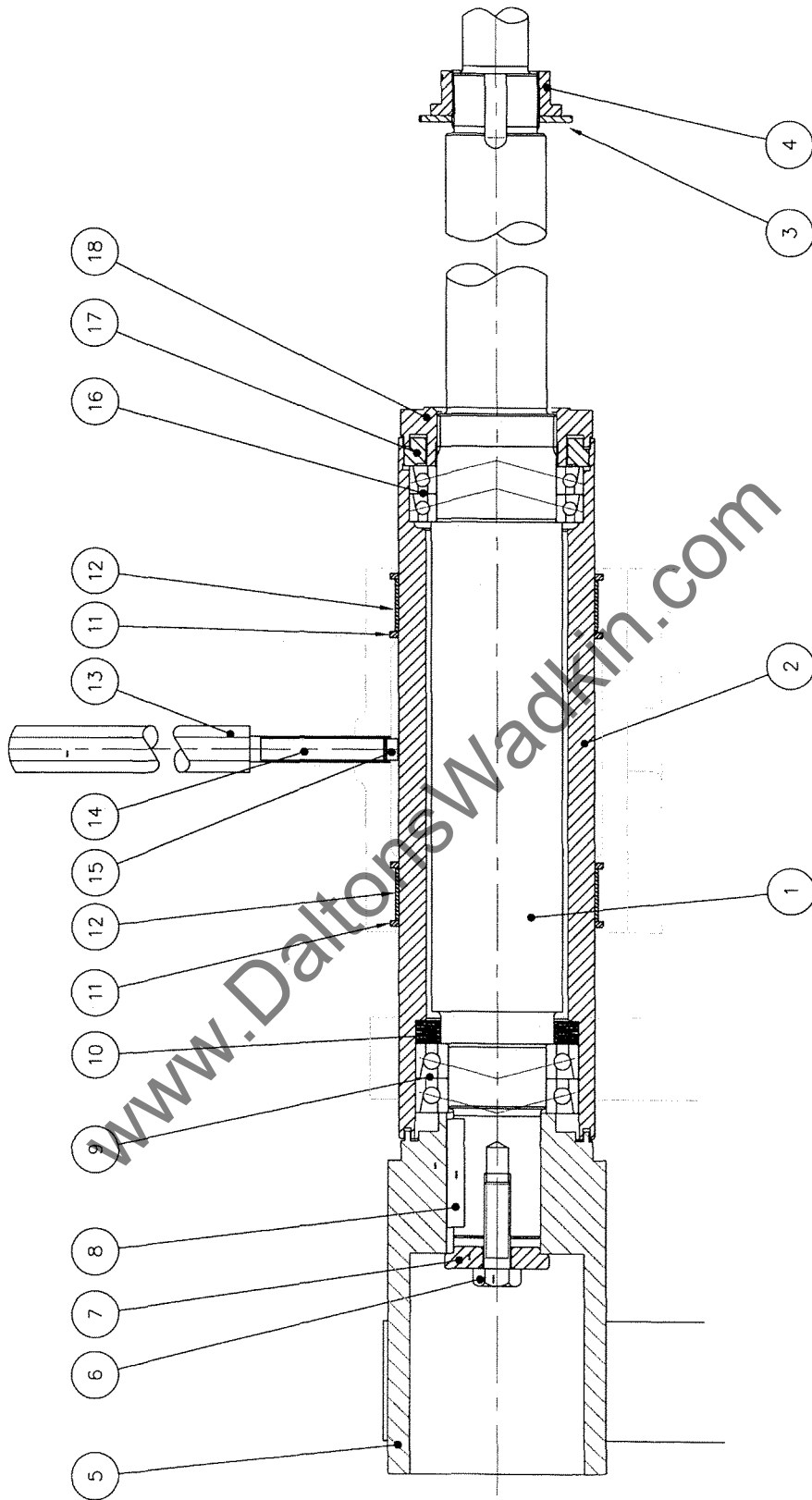
Ref.No	Part No	Description	Quantity
1	GA15329	40mm Horizontal Spindle	1
2	GA1478	Spindle Barrel	1
3	GA4788	Spindle Locking Collar	1
4	GA98	Spindle Shaft Nut	1
5	GA8674	Spindle Pulley	1
6	K0525546	Hexagon Head Screw M12 x 40 long	1
7	GA7702	Pulley Spigot for Spindle	1
8	K0523162	Parallel Key 12 x 8 x 50mm	1
9	K0601510	Paired Bearing,Kluber Grease Packed	2
10	GA8439	Bearing Spacer Ring Assembly	2
11	K3009945	Internal Snap Ring BR95	4
12	K3053353	Split Wear Ring 93 x 90 x 25	2
13	GA5895	Clamping Nut	1
14	K0526302	Stud M12 x 80 long	1
15	K0525473	Brass Pad	1
16	GA6564	Barrel Front Brg.Nut	1
17	GA6565	Spindle Front Brg.Nut	1



40mm TOP HEAD SPINDLE ASSEMBLY

1,13/16" & 50mm Top Head Spindle Assembly

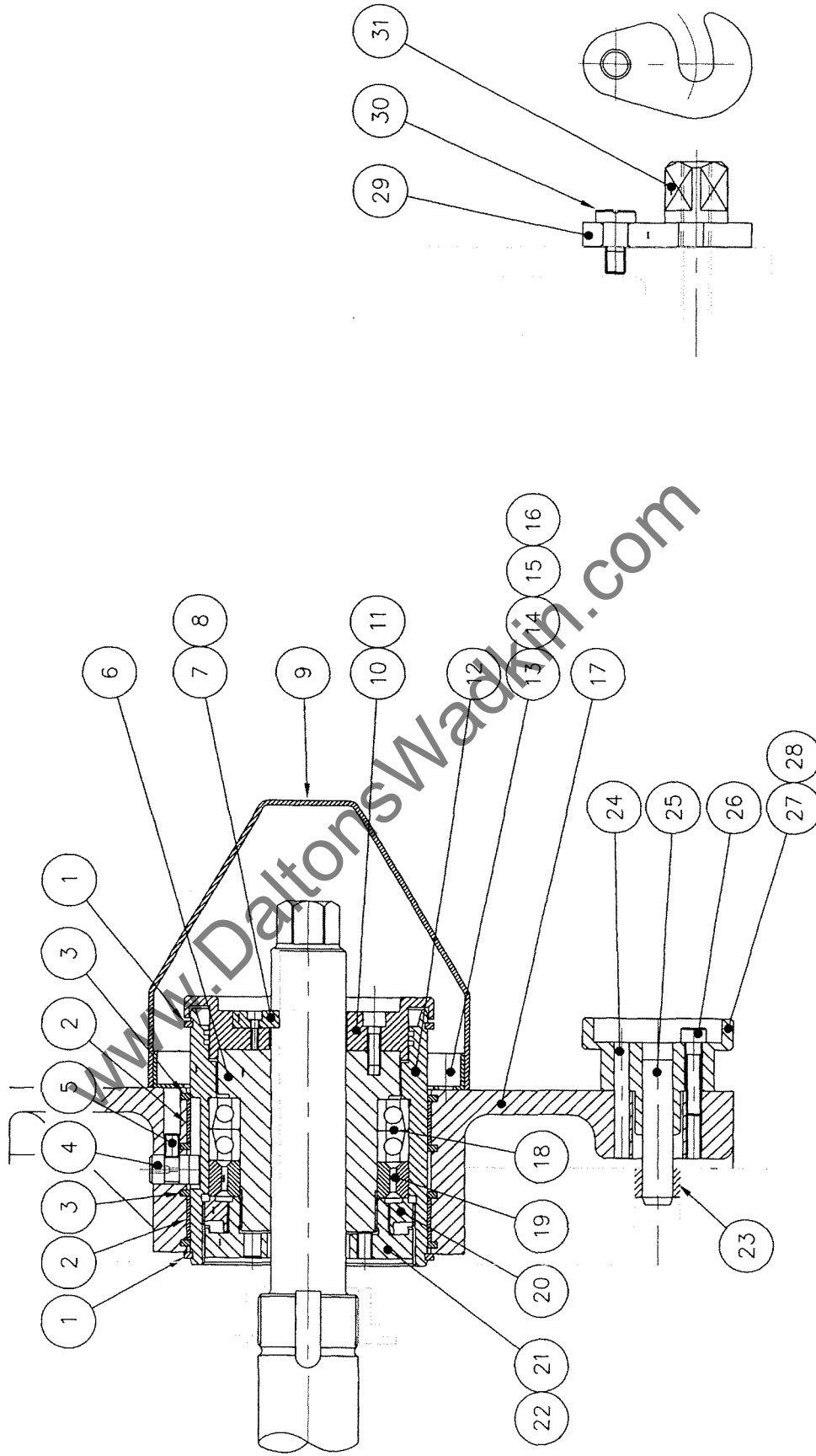
Ref.No	Part No	Description	Quantity
1	GA18587	1,13/16" Horizontal Spindle	1
	GA19523	50mm Horizontal Spindle	1
2	GA3774	Spindle Barrel	1
3	GA4788	Spindle Locking Collar	1
4	GA98	Spindle Shaft Nut	1
5	GA8674	Spindle Pulley	1
6	K0525546	Hexagon Head Screw M12 x 40 long	1
7	GA7702	Pulley Spigot for Spindle	1
8	K0523162	Parallel Key 12 x 8 x 50mm	1
9	K0601510	Paired Bearing,Kluber Grease Packed	1
10	K3073996	Disc Springs	12
11	K3009945	Internal Snap Ring BR95	4
12	K3053353	Split Wear Ring 93 x 90 x 25	2
13	GA5895	Clamping Nut	1
14	K0526302	Stud M12 x 80 long	1
15	K0525473	Brass Pad	1
16	K0601169	Paired Bearing,Kluber Grease Packed	1
17	GA1707	Nut for Spindle Barrel	1
18	GA1708	Nut for Spindle Front Bearing	1



1,13/16" & 50mm TOP HEAD SPINDLE ASSEMBLY

Top Head Outboard Bearing

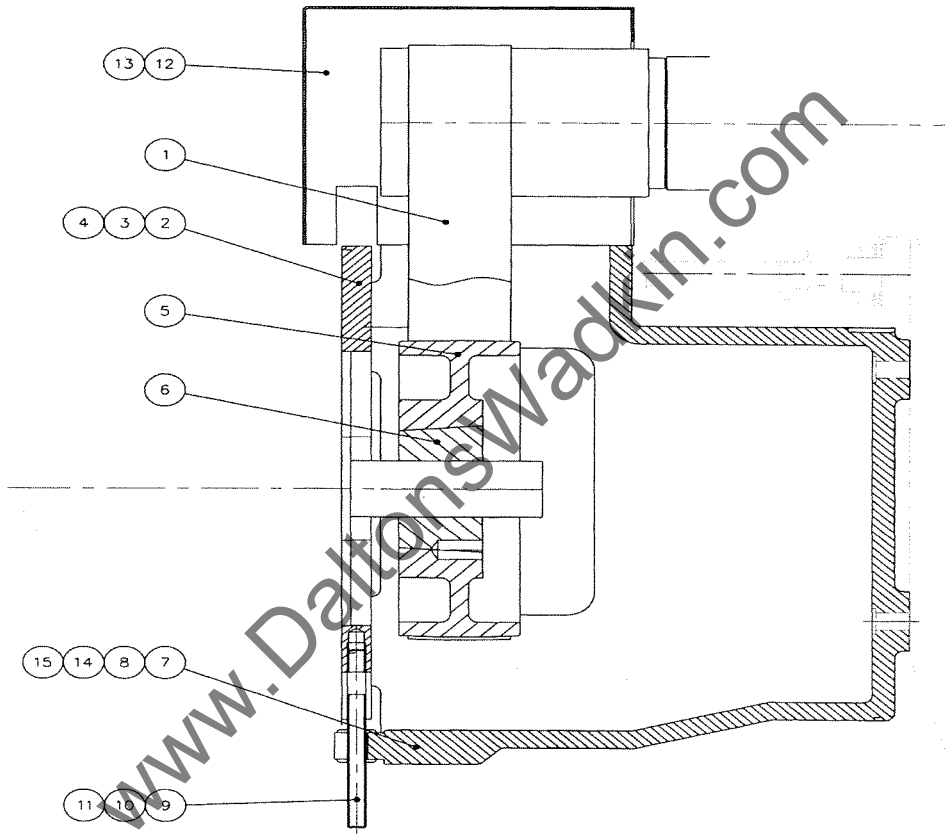
Ref.No	Part No	Description	Quantity
1	K3009242	External Circlip	2
2	K3053350	Split Wear Ring 98 x 95 x18	2
3	K3009475	Internal Snap Ring BR100	4
4	GA8195	Pin for Anti-Rotation	1
5	K0526114	Hexagon Socket Screw M6 x 10mm	1
6	K3073908	ETP Hydrogrip Outboard Bearing Sleeve	1
7	FDR4481	Drive Key for Outboard Bearing	1
8	K0525118	Hex.Socket Caphead Screw M3 x 10mm	1
9	FDR4562	Plastic Spindle Guard	1
10	GA16400	End Cap	1
11	K0525144	Hex.Socket Caphead Screw M5 x 16mm	2
12	GA8190	Housing for Outboard Bearing Sleeve	1
13	GA16099	Adaptor for Spindle Guard	1
14	K0525164	Hex.Socket Caphead Screw M6 x 12mm	2
15	K0525740	Hex.Socket Buttonhead Screw M4 x 10mm	2
16	K0527115	Hexagon Nut M4	2
17	GA8184	Outboard Bearing Housing	1
18	K0605198	Ball Bearing, Kluber Grease Packed	2
19	GA8395	Paired Spacer for Outboard Bearing	1
20	GA8153	Locknut for Bearing Housing	1
21	GA8154	Locknut for Bearing Sleeve	1
22	K0526114	Hexagon Socket Screw M6 x 10mm	2
23	K3005161	Bush PP18E12R	2
24	K0520526	Tension Pin 6 dia.x 32 long	4
25	K0529176	Hardened Dowel Pin 12 dia.x 60 long	2
26	K0525168	Hex.Socket Caphead Screw M6 x 30mm	4
27	GA8192	Location Knob	2
28	K3062360	Black Plastic Plug	2
29	GA7115	C' Washer	2
30	K3072879	Shoulder Screw M8	2
31	GA15731	Collared Nut M12	2
	GA21318	Stud for O/Brg.Support M12 x 90 long	2



TOP HEAD OUTBOARD BEARING

Top Head Drive

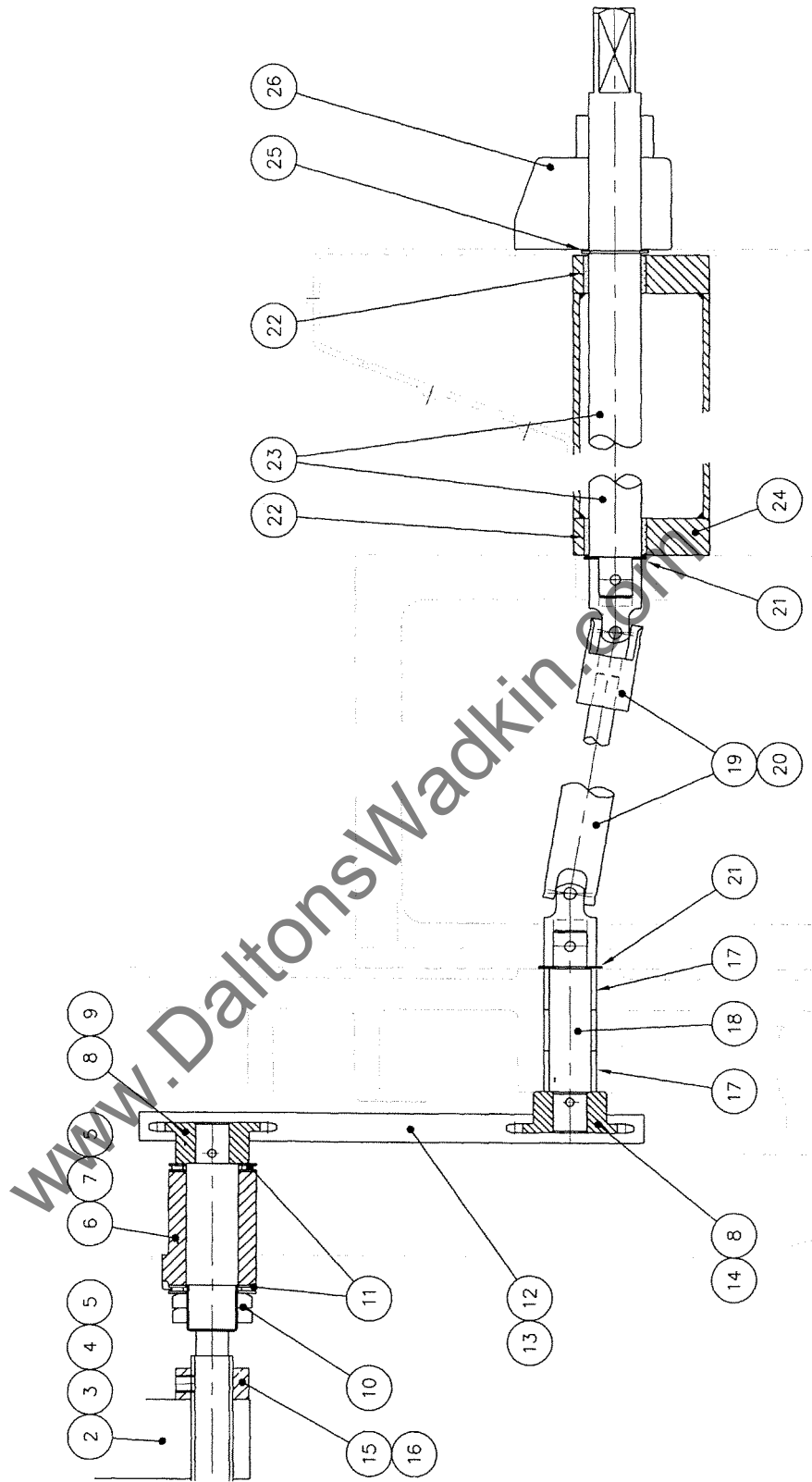
Ref.No	Part No	Description	Quantity
1	K3005564	940 x 55 Flat Belt 50HZ Drive	1
	K3005567	880 x 55 Flat Belt 60HZ Drive	1
2	GA5820	Motor Mounting Plate	1
3	K0526296	Stud M12 x 50mm long	4
4	K0527104	Hexagon Nut M12	4
	K0528105	Washer M12	4
5	GA20941	Motor Pulley,6000rpm 50HZ Drive	1
	GA20942	Motor Pulley,6000rpm 60HZ Drive	1
6	K3077101	Taperlock Bush 42mm bore	1
7	GA6233	Motor Mounting Bracket	1
8	K0525210	Hex.Socket Caphead Screw M10 x 30mm	4
	K0526298	Stud M12 x 60mm long	4
	K0527104	Hexagon Nut M12	4
	K0528105	Washer M12	4
9	GA6170	Stud for Motor Mounting R&F Lock	1
10	K0527110	Hexagon Locknut M10	2
11	K0528104	Washer M10	2
12	GA21086	Belt Guard LH for 1st Top Head	1
	GA21087	Belt Guard RH for 2nd Top Head	1
13	K0525179	Hex.Socket Caphead Screw M6 x 8mm	4
14	GA16553	Cover Plate	2
15	K0525500	Hexagon Head Screw M6 x 10mm	4
	K0528102	Washer M6	4



TOP HEAD DRIVE

Top Head Axial Adustment

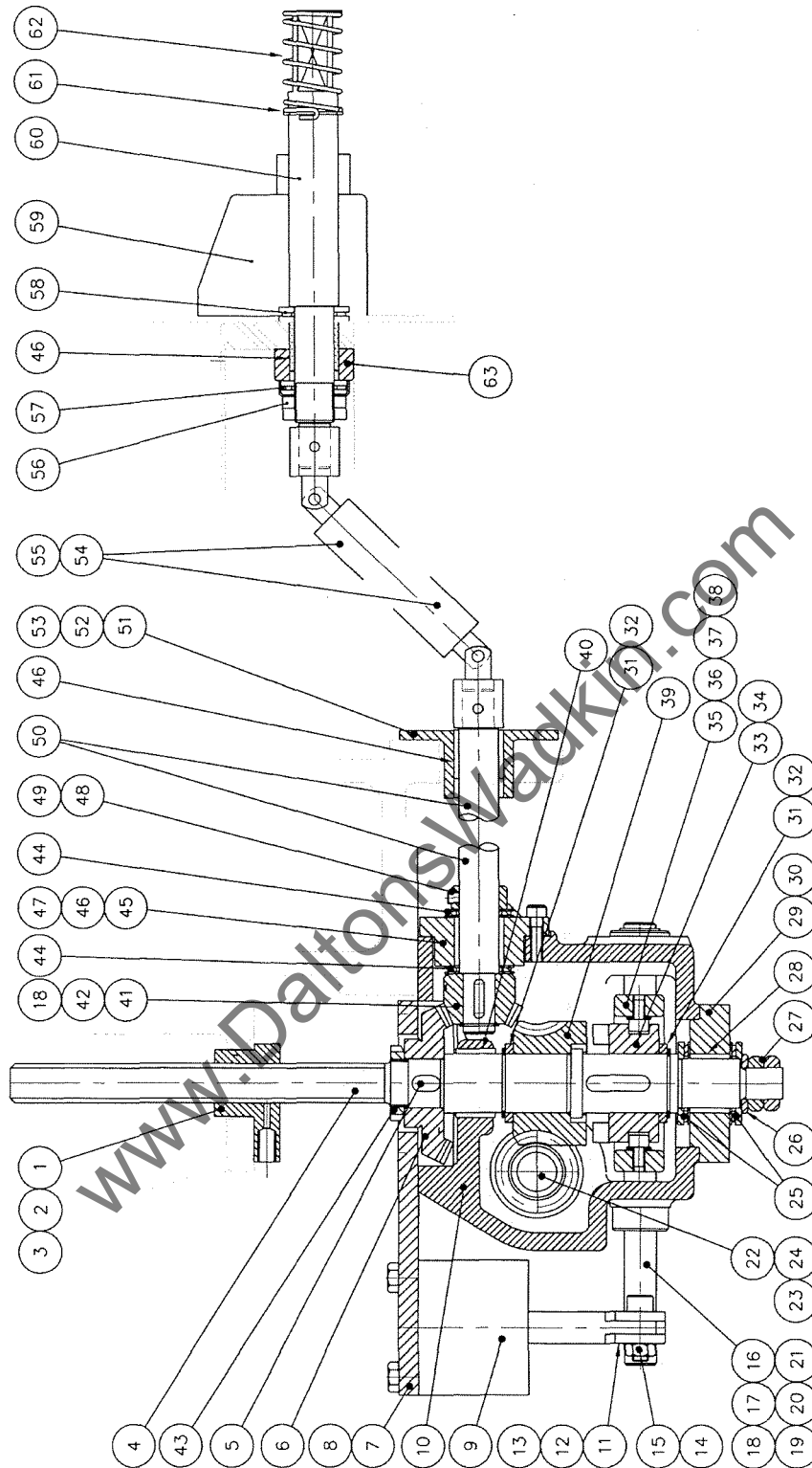
Ref.No	Part No	Description	Quantity
1	GA1929	Screw for Axial adjustment	1
2	GA5821	Nut for Axial Adjustment	1
3	K0525620	Hexagon Head Screw M10 x 80 long	1
4	K0527103	Hexagon Nut M10	1
5	K0528104	Washer M10	4
6	GA7736	Bearing Bracket for Axial Adjustment	1
7	K0525532	Hexagon Head Screw M10 x 35 long	2
8	GA72	Chain Sprocket	2
9	K0520485	Tension Pin 4 dia.x 32 long	1
10	K0527224	Notch Nut M24	2
11	K0610213	Thrust Bearing	2
	K0610254	Thrust Washer	4
12	K3009641	Chain 1/2"pitch x 39 pitches	1
13	K3009381	Chain Connecting Link	1
14	K0520507	Taper Pin	1
15	DP636	Stop Collar	1
16	K0526124	Hexagon Socket Screw M8 x 8 long	2
17	K0531564	Oilite Bush 20 x 25 x 20 long	2
18	GA80	Sprocket Shaft	1
19	GA8526	Universal Joint	1
20	K0520524	Tension Pin 6 dia.x 24 long	2
21	K0610251	Thrust Washer	2
22	K0531565	Oilite Bush 25 x 30 x 20 long	2
23	GA20859	Shaft for Axial Adjustment	1
24	GA20853	Bracket for Top Head Controls	1
25	K3009145	External Circlip 25mm	1
26	K3025489	Digital Readout (Metric)	1
	K3025493	Digital Readout (Imperial)	1



TOP HEAD AXIAL ADJUSTMENT

Top Head Rise & Fall with Pneumatic Clutch

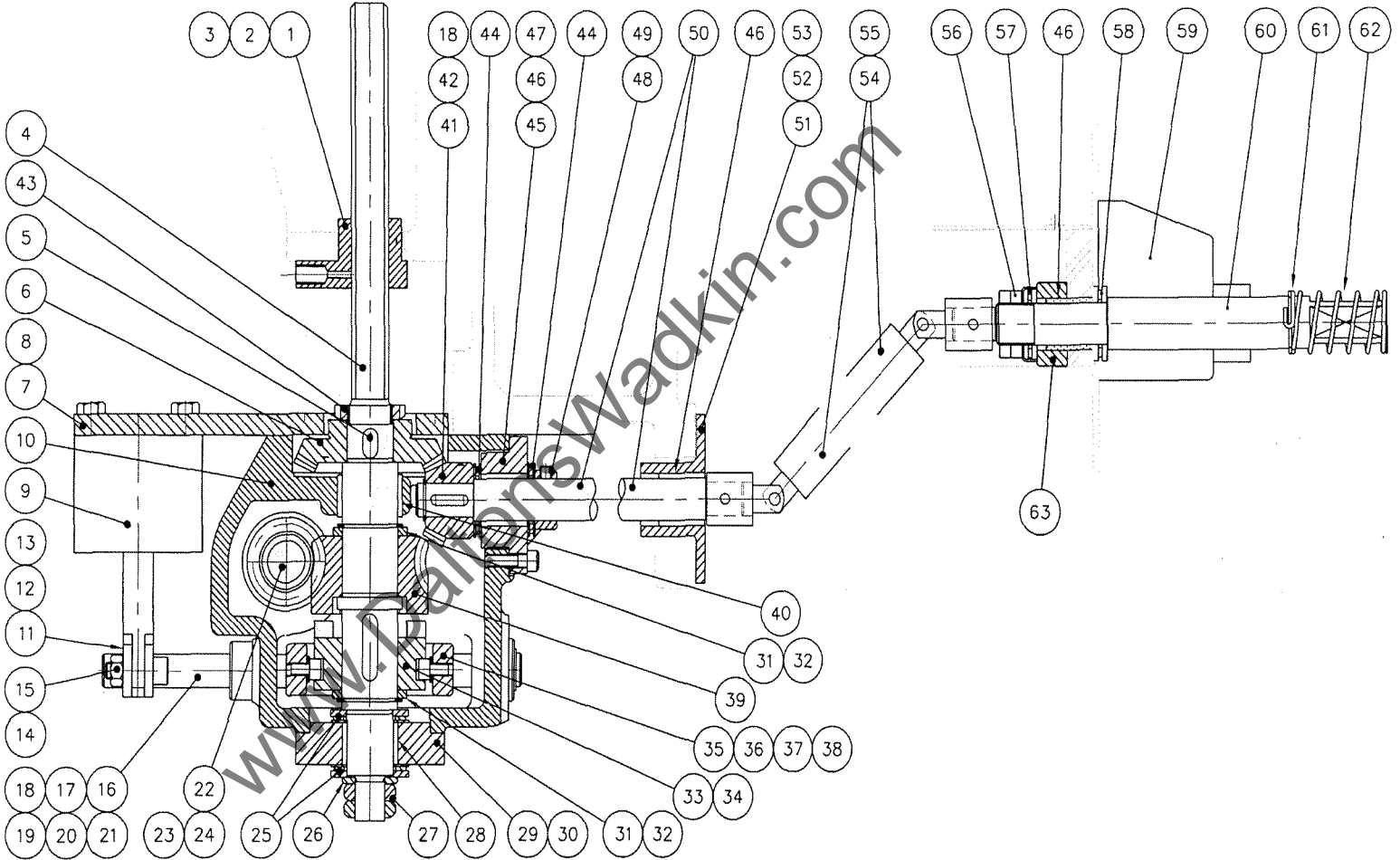
Ref.No	Part No	Description	Quantity
1	GA1519	Nut for Top Head Rise & Fall	1
2	K3062696	Flow Unit	1
3	K0525188	Hex.Socket Caphead Screw M8 x 25 long	2
4	XL2266	Screw for Top Head Rise & Fall	1
5	K0523112	Parallel Key 8 x 7 x 14 long	1
6	GA6751	Bevel Gear 32t	1
7	XL2170	Cylinder Mounting Bracket	1
8	K0525502	Hexagon Head Screw M6 x 16 long	4
	K0525519	Hexagon Head Screw M8 x 35 long	4
	K0528154	Spring Coil Washer M8	4
9	K3063945	Pneumatic Cylinder - Single Acting	1
	K3063153	Elbow fitting 6mm pipe	2
10	GA8701	Wormgear & Clutch Housing	1
	GA6762	Side Cover for Housing	1
	K0525501	Hexagon Head Screw M6 x 12 long	3
	K0528153	Spring Coil Washer M6	3
11	XL2206	Clutch Arm	1
12	K0520504	Taper Pin	1
13	K0526112	Hexagon Socket Screw M6 x 6 long	1
14	K0527148	Self Locking Nut M8	1
15	K0525189	Hex.Socket Caphead Screw M8 x 30 long	1
16	XL2171	Pivot Shaft	1
17	K0528106	Washer M16	1
18	K3009298	External Circlip 16mm	2
19	K0526112	Hexagon Socket Screw M6 x 6 long	1
20	K0528249	Loose Collar 16mm bore	1
21	K0531551	Oilite Bush 16 x 20 x 16 long	2
22	GA6753	Worm for Top Head Rise & Fall	1
23	K0601200	Deep Groove Ball Bearing	2
24	K3009174	Internal Circlip 47mm	2
25	K0610213	Thrust Bearing	2
	K0610254	Washer	2
	K0610310	Thrust Washer	2
26	K0528106	Washer M16	1
27	K0527112	Hexagon Locknut M16	2
28	K0531565	Oilite Bush 25 x 30 x 20 long	1



TOP HEAD RISE & FALL

Top Head Rise & Fall with Pneumatic Clutch

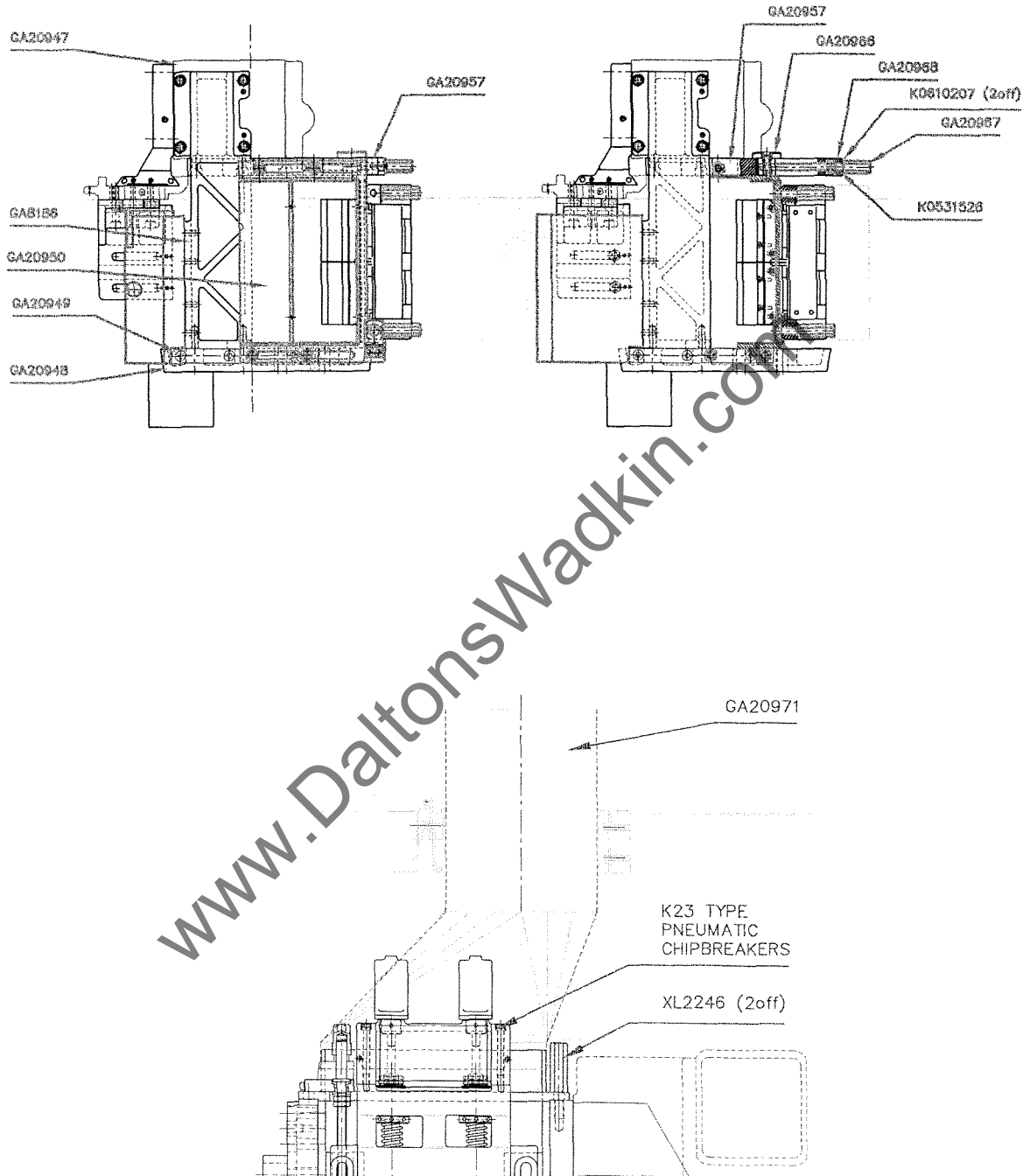
Ref.No	Part No	Description	Quantity
29	GA6755	End Cap	1
30	K0525186	Hex.Socket Caphead Screw M8 x 16 long	4
31	GA6763	Spacer for Clutch	2
32	K3009140	External Circlip 30mm	2
33	XL2020	Clutch for Rise & fall	1
34	K0523128	Parallel Key 8 x 7 x 32 long	1
35	GA296	Clutch Yoke	1
36	K0525163	Hex.Socket Caphead Screw M6 x 10 long	2
37	K0528102	Washer M6	2
38	K0526570	Hex.Socket Nylok Screw Dog Point M8 x 12 long	1
39	XL2019	Wormwheel for Top Head Rise & Fall	1
40	K0531566	Oilite Bush 30 x 35 x 20 long	1
41	GA6752	Bevel Gear 16t	1
42	K0523110	Parallel Key 5 x 5 x 20 long	1
43	K0527224	Notch Nut M24	1
44	K0610212	Thrust Bearing	2
	K0610252	Thrust Washer	4
45	GA6756	End Cap	1
46	K0531576	Oilite Bush 20 x 25 x 25 long	2
47	K0525167	Hex.Socket Caphead Screw M6 x 25 long	3
48	K0528226	Loose Collar 20mm bore	1
49	K0526112	Hexagon Socket Screw M6 x 6 long	1
50	GA19797	Cross Shaft for Top Head Rise & Fall	1
51	GA19802	Bearing Block	1
52	K0525186	Hex.Socket Caphead Screw M8 x 16 long	2
53	K0528103	Washer M8	2
54	XL2327	Universal Joint	1
55	K0520524	Tension Pin 6 dia.x 24 long	2
56	K0527205	Notch Nut M20	2
57	K0614241	Nadella Bearing	1
58	K0610212	Thrust Bearing	1
	K0610320	Thrust Washer	2
59	K3025453	Digital Readout (Metric)	1
	K3025482	Digital Readout (Imperial)	1
60	GA20191	Input Shaft	1
61	K3009145	External Circlip 25mm	1
62	GA723	Compression Spring	1
63	K0528208	Loose Collar 25mm bore	1



TOP HEAD RISE & FALL

Top Head Chipbreaker Support

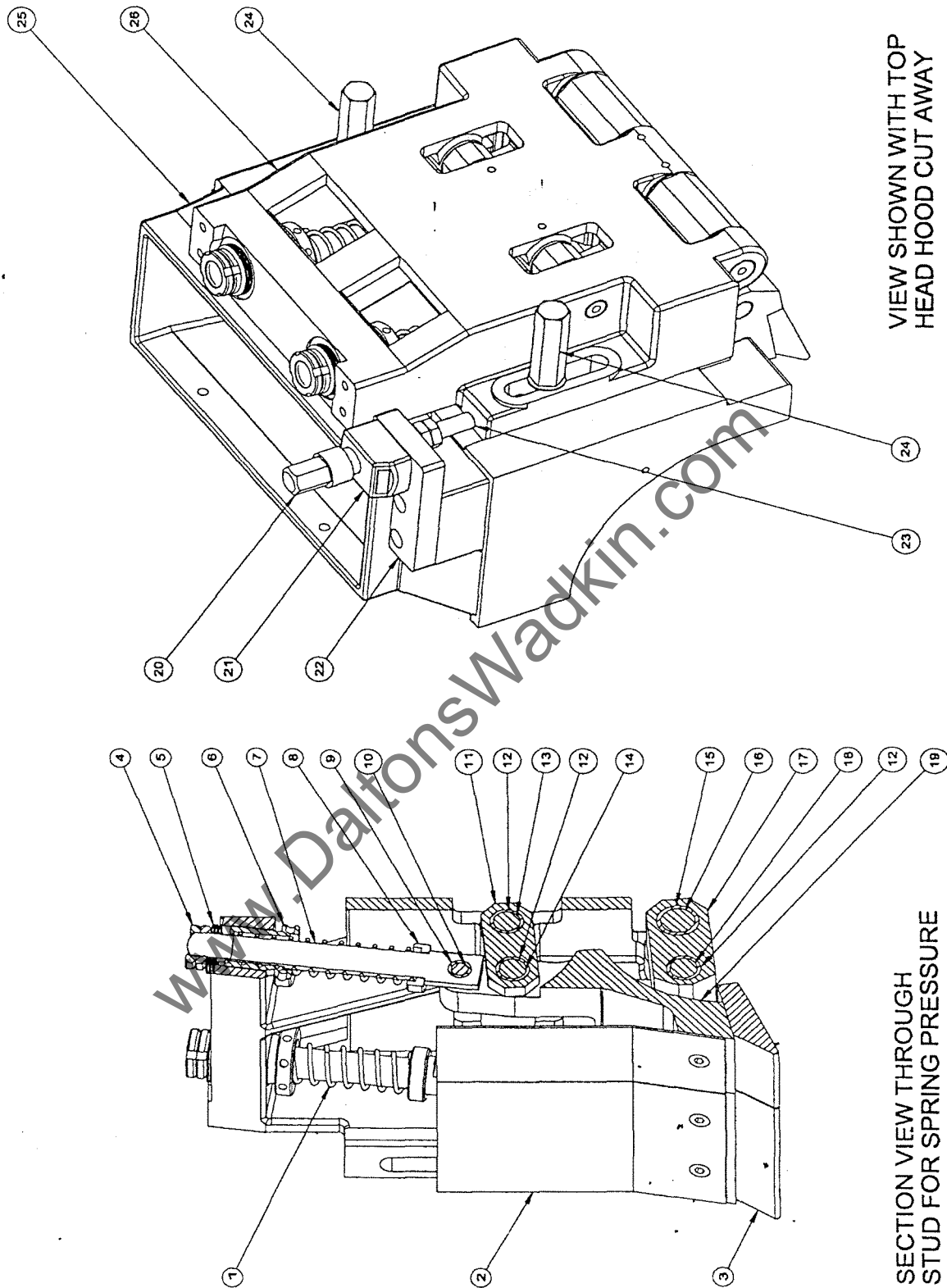
Item	Part No	Description	Quantity
GA8186		Overarm (Top Head Outboard Bearing)	1
	K0525232	Hex.Socket Caphead Screw M12 x 35 long	4
	K0525210	Hex.Socket Caphead Screw M10 x 30 long	4
	K0529145	Dowel Pin 8 dia.x 30 long	2
GA20947		Housing for Top Spindle Barrel	1
	K0525232	Hex.Socket Caphead Screw M12 x 35 long	6
	K0529145	Dowel Pin 8 dia.x 30 long	2
GA20948		Carrier for Top Head Outboard Bearing	1
	K0525234	Hex.Socket Caphead Screw M12 x 45 long	3
	K0520533	Tension Pin 8 dia.x 24 long	2
	K3005161	Bush	2
	GA21318	Stud M12 x 90 long	2
	K0527104	Hexagon Nut M12	2
GA20949		Packing Strip	1
	K0525333	Hex.Socket C/Sink Head Screw M8 x 20 long	3
	K0526297	Stud M12 x 55 long	2
	K0527104	Hexagon Nut M12	2
	K0528105	Washer 12mm	2
GA20950		Hood/Chipbreaker Mounting	1
	K0525501	Hexagon Head Screw M6 x12 long	2
	K0526204	Stud M6 x 25 long	2
	GA14	Domed Washer 6mm	2
	K3029148	Handwheel M6	2
	GA20971	Top Head Extraction Outlet	1
GA20957		Rear Support for Top Head Chipbreaker	1
	K0525233	Hex.Socket Caphead Screw M12 x 40 long	4
	K0526297	Stud M12 x 55 long	2
	XL2246	Extended Hexagon Locking Nut M12	2
	K0528105	Washer 12mm	2
GA20966		Nut for Chipbreaker Adjustment	1
	K0525171	Hex.Socket Caphead Screw M6 x 45 long	2
GA20967		Screw for Chipbreaker Adjustment	1
	K0527111	Hexagon Locknut M12	2
	K0610207	Needle Bearing	2
GA20968		Screw Bearing Plate	1
	K0531526	Oilite Bush 12 x 16 x 12 long	1
	K0525167	Hex.Socket Caphead Screw M6 x 25 long	2



TOP HEAD CHIPBREAKER SUPPORT

Top Head Chipbreaker

Ref.No	Part No	Description	Quantity
1	K3073982	Compression Spring	2
2	GA4302	Chip Deflector	2
	K0525323	Hex.Socket C/sink Head Screw M6 x 10 long	4
3	GA15135	Radial Chipbreaker Shoe	2
4	K0527205	Notch Nut M20	4
5	K3074158	Disc Spring	12
6	GA4258	Adjusting Nut for Spring Pressure	2
7	GA4257	Stud for Spring Pressure	2
8	GA4260	Spring Cap	2
9	K0531549	Oilite Bush 10 x 14 x 16 long	2
10	GA4244	Pin for Eye Joint	2
11	GA4210	Top Pivot Link	2
12	K0531551	Oilite Bush 16 x 20 x 16 long	8
13	GA4206	Short Pivot Bar	2
14	GA4220	Top Bearing Pin	2
15	K0531564	Oilite Bush 20 x 25 x 20 long	4
16	GA4205	Long Pivot Bar	2
17	GA4209	Bottom Pivot Link	2
18	GA4221	Bottom Bearing Pin	2
19	GA4175	Radial Chipbreaker	2
20	XL2195	19 A/F Hexagon End	1
	K0520504	Taper Pin	1
21	K3025457	Digital Readout (Metric)	1
	K3025486	Digital Readout (Imperial)	1
22	GA20970	Mounting Plate for Rise & Fall screw	1
	K0525165	Hex.Socket Caphead Screw M6 x 16 long	2
23	GA20969	Rise & Fall Screw for Chipbreaker	1
24	XL2246	Locking Nut for Rise & Fall	2
25	GA20950	Top Head Hood/Chipbreaker Mounting	1
	K0526301	Stud M12 x 75 long	2
	K0528105	Washer 12mm	2
	K05225501	Hexagon Head Screw M6 x 12 long	2
	K0526204	Stud M6 x 25 long	2
	GA14	Domed Washer 6mm	2
	K3029148	Handwheel M6	2
26	XL2179	Chipbreaker Body	1



VIEW SHOWN WITH TOP
HEAD HOOD CUT AWAY

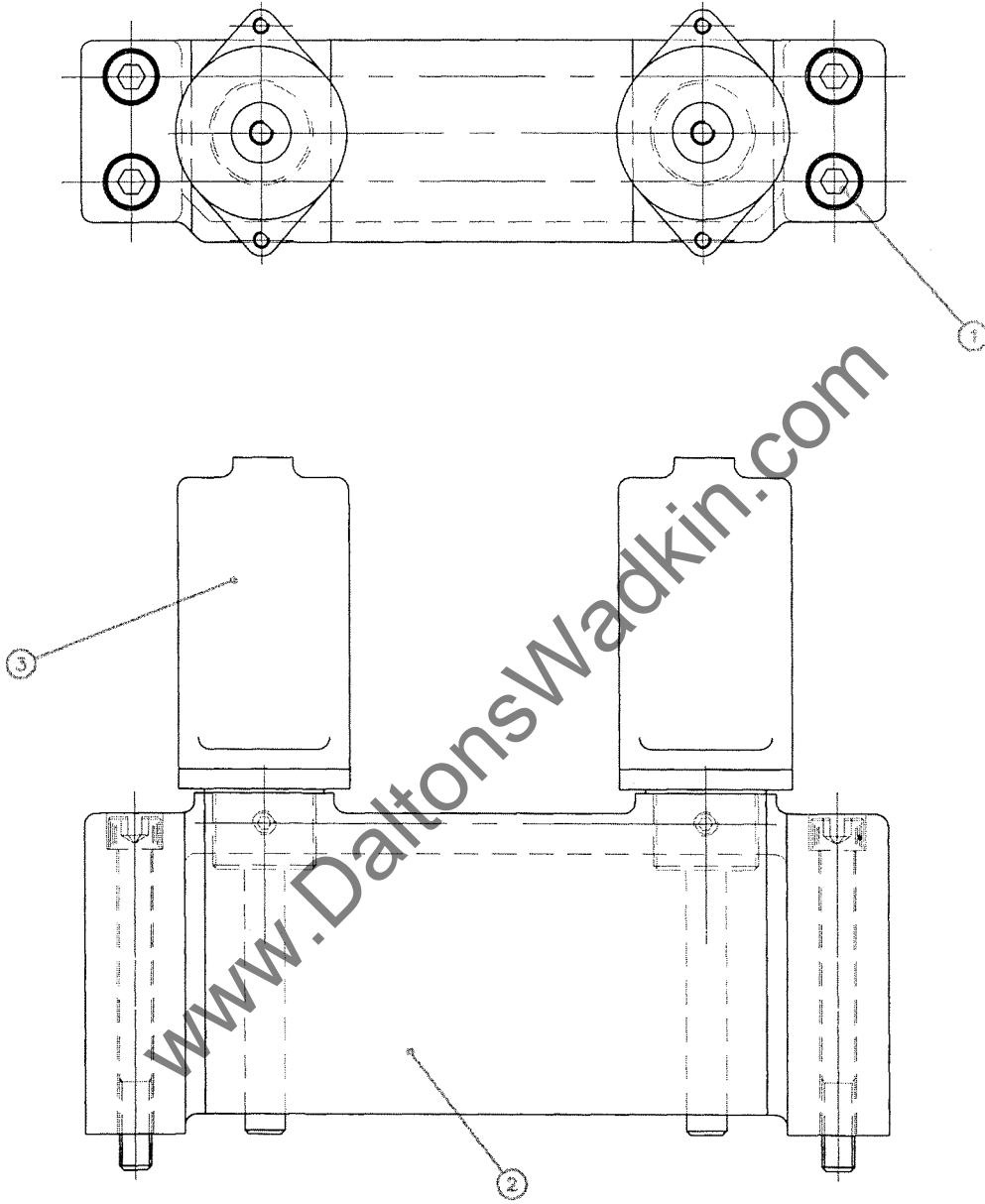
SECTION VIEW THROUGH
STUD FOR SPRING PRESSURE

TOP HEAD CHIPBREAKER

Top Head Pneumatic Chipbreaker

Ref.No	Part No	Description	Quantity
1	K0525199	Hex.Socket Caphead Screw M8 x 80 long	4
2	GA4353	Bracket for Pneumatic Pressure on Chipbreaker	1
	K0526113	Hexagon Socket Screw M6 x 8 long	2
3	K3063762	Single Acting Pneumatic Cylinder	2
	K3063154	Swivel Elbow 1/4"BSP/6mm	2
	K3063123	Tee Connector 6mm	1
	K3061257	Pressure Regulator 1/8"BSP	1
	K3063153	Swivel Elbow 1/8"BSP/6mm	2
	K7070715	Swivel Elbow 1/8"BSP/4mm	1
	K3062502	Pressure Guage	1
	K3062701	Elbow Connector 1/8"BSP	1
	K3064191	Female Elbow 1/8"BSP/4mm	1

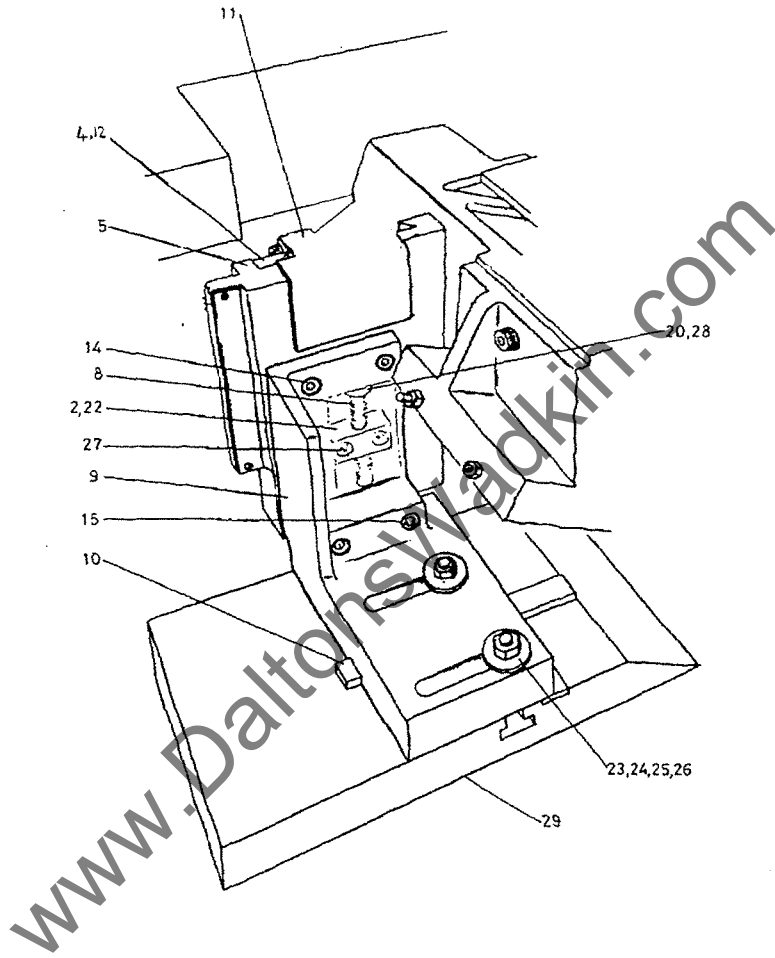
www.DaltonsWadkin.com



TOP HEAD PNEUMATIC CHIPBREAKER

Top Head Pad Pressure

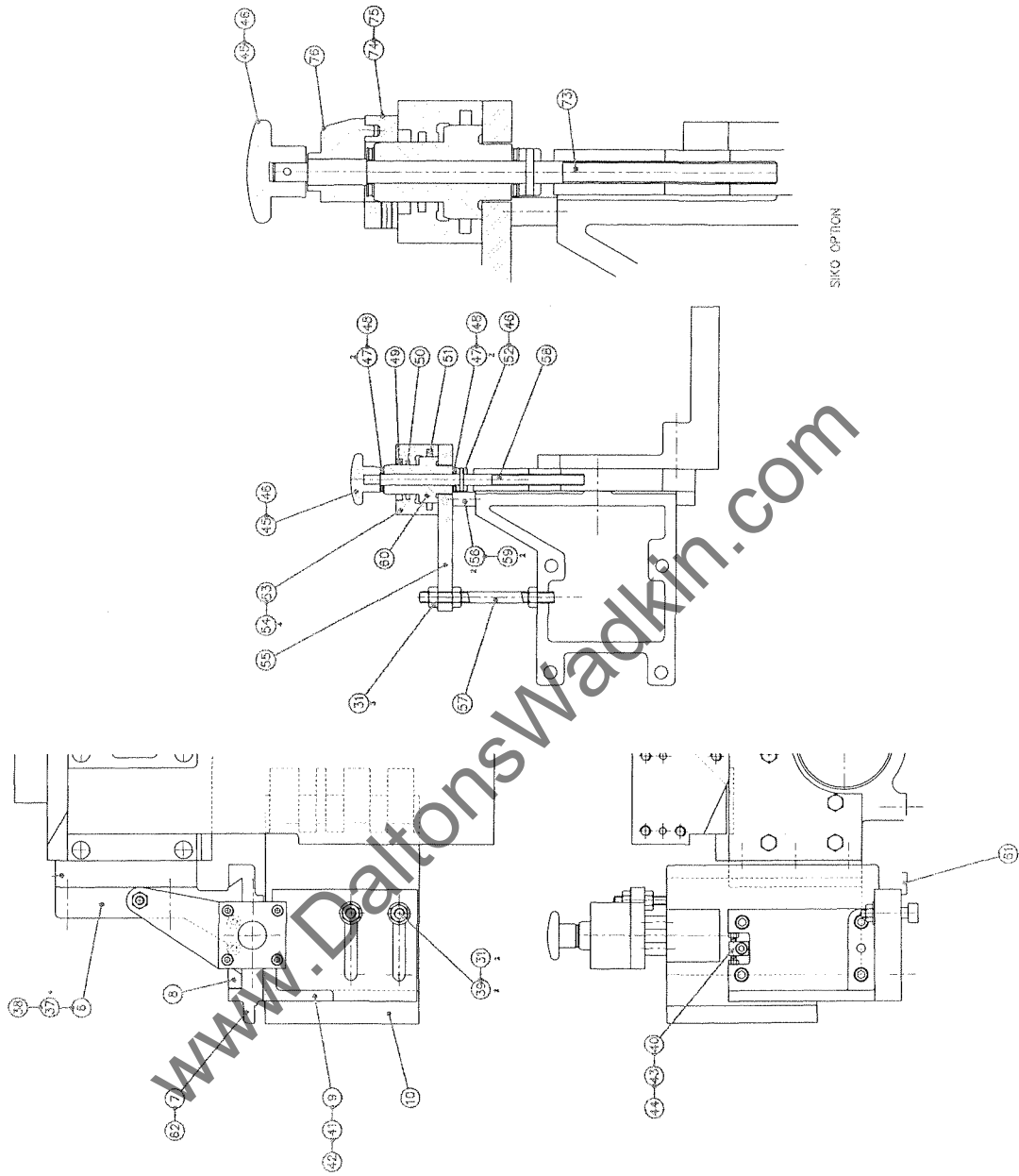
Ref.No	Part No	Description	Quantity
4	GA8247	Wear Strip	1
5	GA3340	Saddle for Top Head Pressure	1
	K0526127	Hexagon Socket Screw M6 x 16 long	4
8	GA17950	Screw for Top Head Pressure Adjustment	1
9	GA8188	Bracket for Mounting Top Head Pressure	1
10	GA336	Cross Tenon	1
11	GA3338	Slide for Top Head Pressure	1
	GA8210	Stop for Top head Pressure Slide	1
	K0525545	Hexagon Head Screw M12 x 35 long	2
	K0527104	Hexagon Nut M12	2
	K0527111	Hexagon Locknut M12	1
	K0525549	Hexagon Head Screw M12 x 55 long	4
	K0528105	Washer 12mm	4
	K0529174	Dowel Pin 12 dia.x 45 long	1
12	K0525519	Hexagon Head Screw M8 x 35 long	4
14	K0525207	Hex.Socket Caphead Screw M10 x 16 long	2
15	K0525214	Hex.Socket Caphead Screw M10 x 50 long	2
20	K0528207	Loose Collar 12mm bore	1
23	K3053218	Tee Nut M10	2
24	K0526269	Stud M10 x 60 long	2
25	K0527103	Hexagon Nut M10	2
26	FDR4408	Spacer	2
28	K0520503	Taper Pin	1
29	FDR4567	Pad for 1st Top Head	1
	FDR4590	Pad for 2nd Top Head	1
	FDR4617	Carrier for Soft Counter Profile for 2nd Top Head	1



TOP HEAD PAD PRESSURE

Top Head Pad Pressure

Ref.No	Part No	Description	Quantity
6	GA3338	Slide for Top Head Pressure	1
7	GA3340	Saddle for Top Pressure	1
	K0526127	Hexagon Socket Screw M6 x 16 long	4
8	GA8247	Wear Strip	1
	K0525519	Hexagon Head Screw M8 x 35 long	4
9	GA8188	Bracket for Mounting Top Head Pressure	1
10	FDR4567	Pad for 1st Top Head	1
	FDR4590	Pad for 2nd Top Head	1
	FDR4617	Carrier for Soft Counter Profile for 2nd Top Head	1
31	K0527103	Hexagon Nut M10	5
37	K0525549	Hexagon Head Screw M12 x 55 long	4
38	K0529174	Dowel Pin 12 dia.x 45 long	1
39	FDR4408	Spacer 35 OD x 11.5 Bore x 6 Thick	2
40	GA8844	Jacking Block	1
41	K0525207	Hex.Socket Caphead Screw M10 x 16 long	2
42	K0525214	Hex.Socket Caphead Screw M10 x 50 long	2
43	K0525501	Hexagon Head Screw M6 x 12 long	2
44	K0525518	Hexagon Head Screw M8 x 30 long	1
45	K0530256	Handwheel 10mm bore	1
46	K0520503	Taper Pin	2
47	K0610242	Thrust Washer	4
48	K0610207	Thrust Bearing	2
49	K3074345	Seal	1
50	K3074344	Step Seal	1
51	K3074343	Step Seal	1
52	K0528207	Loose Collar 12mm bore	1
53	FDR4609	Cylinder Block	1
54	K0525193	Hex.Socket Caphead Screw M8 x 50 long	4
	K3063153	Swivel Elbow 1/8"BSP/6mm	1
55	GA3240	Cylinder Mounting Plate	1
56	GA3367	Spacer for Top Pressure	2
57	K0526282	Stud M10 x 155 long	1
58		Not Applicable	
59	K0525192	Hex.Socket Caphead Screw M8 x 45 long	2
60	FDR4610	Piston for Top Pressure	1
61	GA336	Cross Tenon	1
73	GA17950	Screw for Top Head Pressure Adjustment	1
74	GA17951	Spacer for Digital Readout	1
75	K0526115	Hexagon Socket Screw M6 x 12 long	1
76	K3025457	Digital Readout (Metric)	1
	K3025486	Digital Readout (Imperial)	1



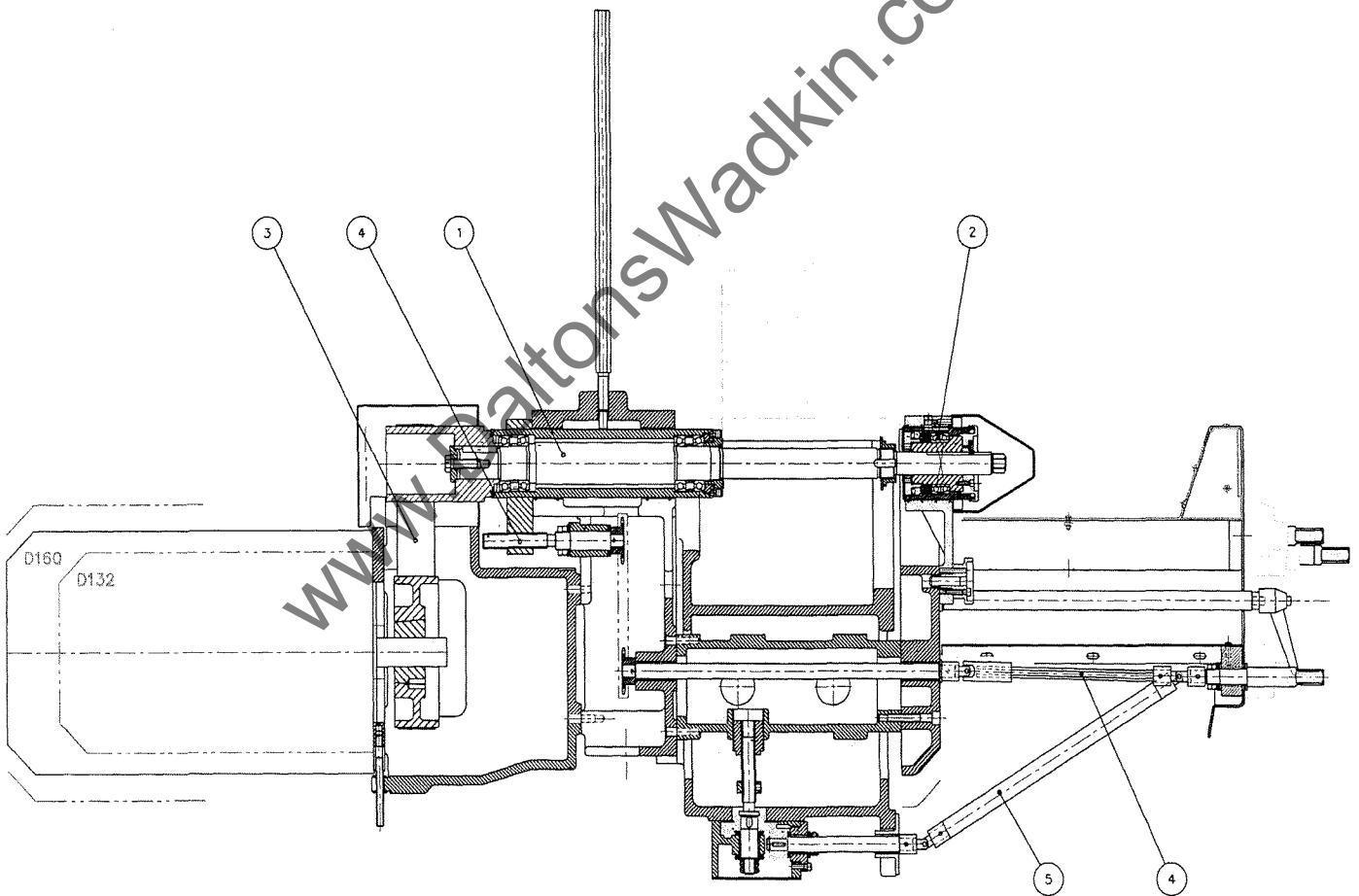
SIKO OPTION

TOP HEAD PAD PRESSURE

SECTION 6 : 2nd BOTTOM HEAD

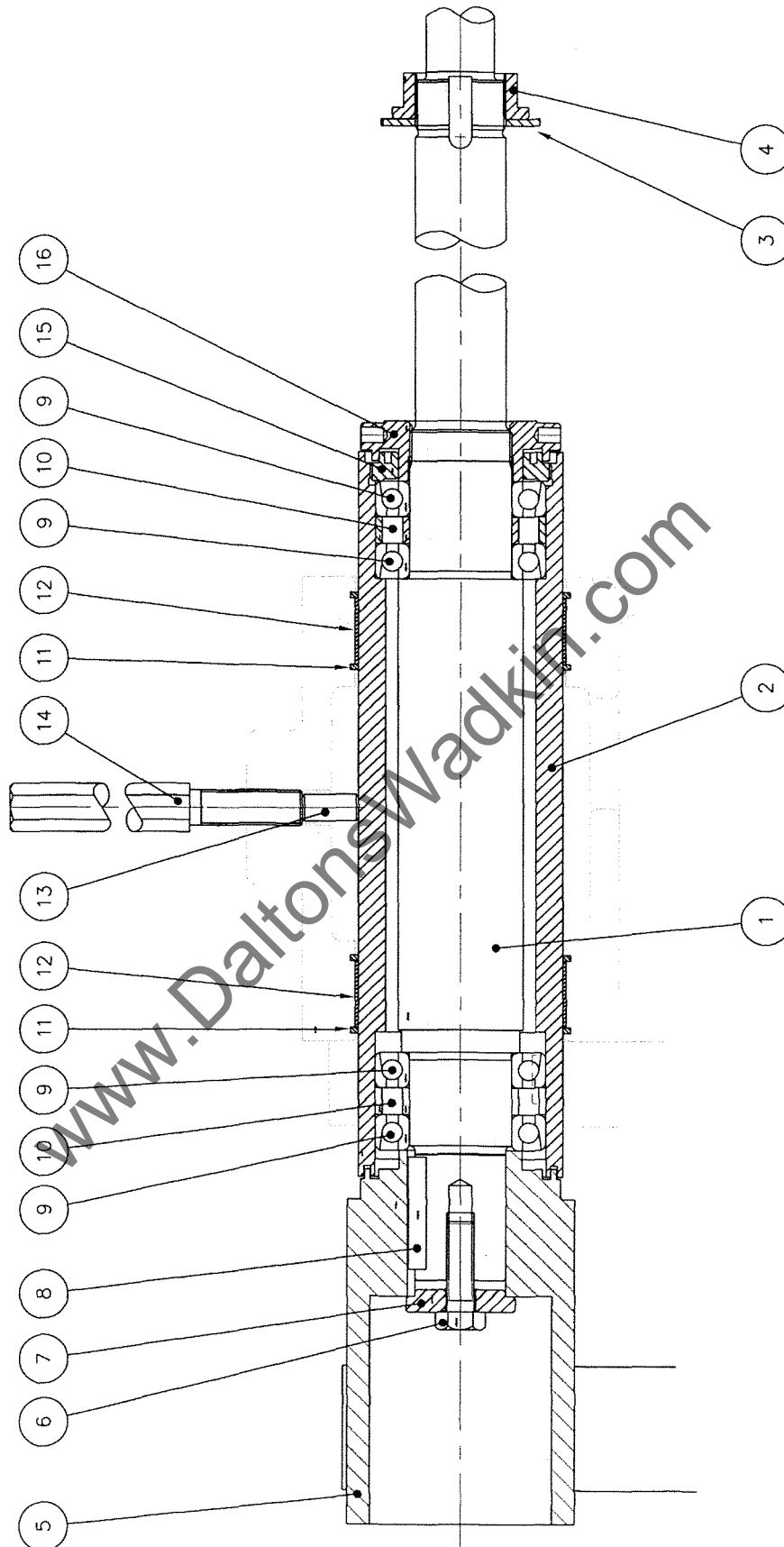
Item

- 1 2nd Bottom Spindle Assy.40mm
2nd Bottom Spindle Assy.1,13/16"
- 2 2nd Bottom Head Outboard Bearing
- 3 2nd Bottom Head Drive
- 4 2nd Bottom Head Axial Adjustment
- 5 2nd Bottom Head Rise and Fall



40mm Dia.2nd Bottom Spindle Assembly

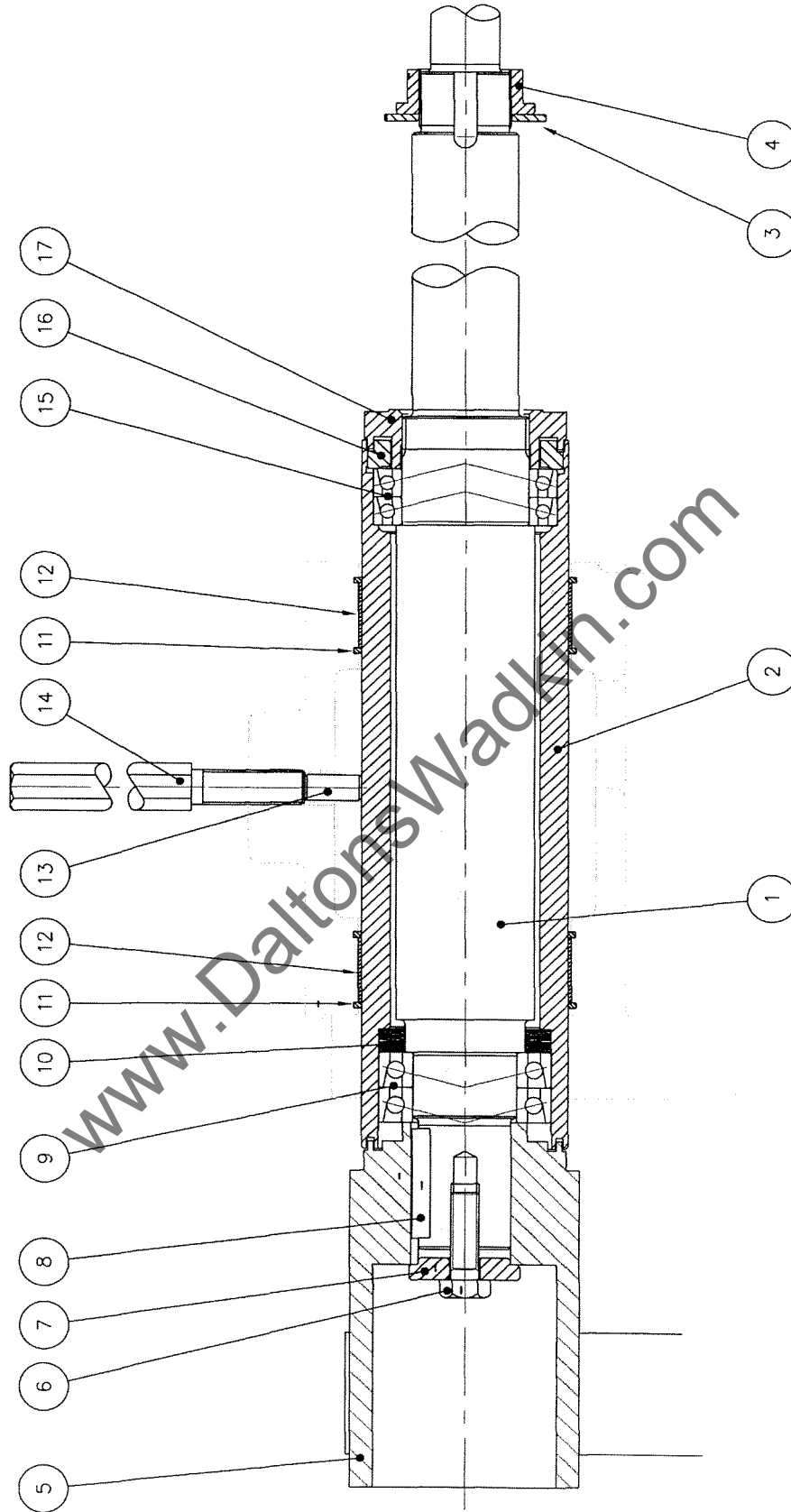
Ref.No	Part No	Description	Quantity
1	GA15329	40mm Horizontal Spindle	1
2	GA1478	Spindle Barrel	1
3	GA4788	Spindle Locking Collar	1
4	GA98	Spindle Shaft Nut	1
5	GA8674	Spindle Pulley	1
6	K0525546	Hexagon Head Screw M12 x 40 long	1
7	GA7702	Pulley Spigot for Spindle	1
8	K0523162	Parallel Key 12 x 8 x 50mm	1
9	K0601510	Paired Bearing,Kluber Grease Packed	2
10	GA8439	Bearing Spacer Ring Assembly	2
11	K3009945	Internal Snap Ring BR95	4
12	K3053352	Split Wear Ring 93 x 90 x 30	2
13	GA16382	Brass Pad	1
14	GA9737	Lockshaft	1
15	GA6564	Barrel Front Brg.Nut	1
16	GA6565	Spindle Front Brg.Nut	1



40mm 2nd BOTTOM HEAD SPINDLE ASSEMBLY

1,13/16" & 50mm Dia.2nd Bottom Head Spindle Assembly

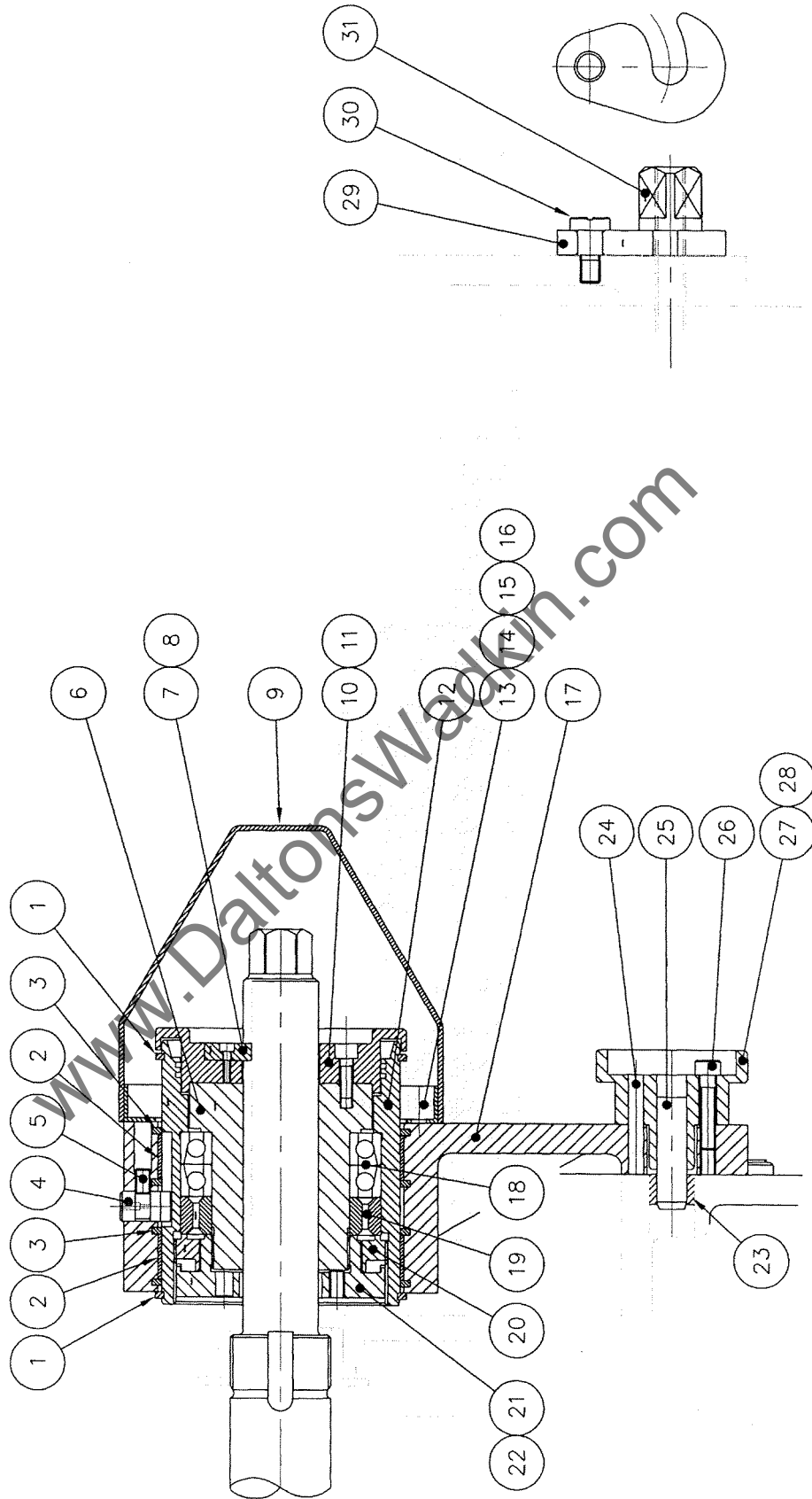
Ref.No	Part No	Description	Quantity
1	GA18587	1,13/16" Horizontal Spindle	1
	GA19523	50mm Horizontal Spindle	1
2	GA3774	Spindle Barrel	1
3	GA4788	Spindle Locking Collar	1
4	GA98	Spindle Shaft Nut	1
5	GA8674	Spindle Pulley	1
6	K0525546	Hexagon Head Screw M12 x 40 long	1
7	GA7702	Pulley Spigot for Spindle	1
8	K0523162	Parallel Key 12 x 8 x 50mm	1
9	K0601510	Paired Bearing,Kluber Grease Packed	1
10	K3073996	Disc Springs	12
11	K3009945	Internal Snap Ring BR95	4
12	K3053352	Split Wear Ring 93 x 90 x 30	2
13	GA16382	Brass Pad	1
14	GA9737	Lockshaft	1
15	K0601169	Paired Bearing,Kluber Grease Packed	1
16	GA1707	Nut for Spindle Barrel	1
17	GA1708	Nut for Spindle Front Bearing	1



1,13/16" & 50mm 2nd BOTTOM HEAD SPINDLE ASSEMBLY

2nd Bottom Head Outboard Bearing

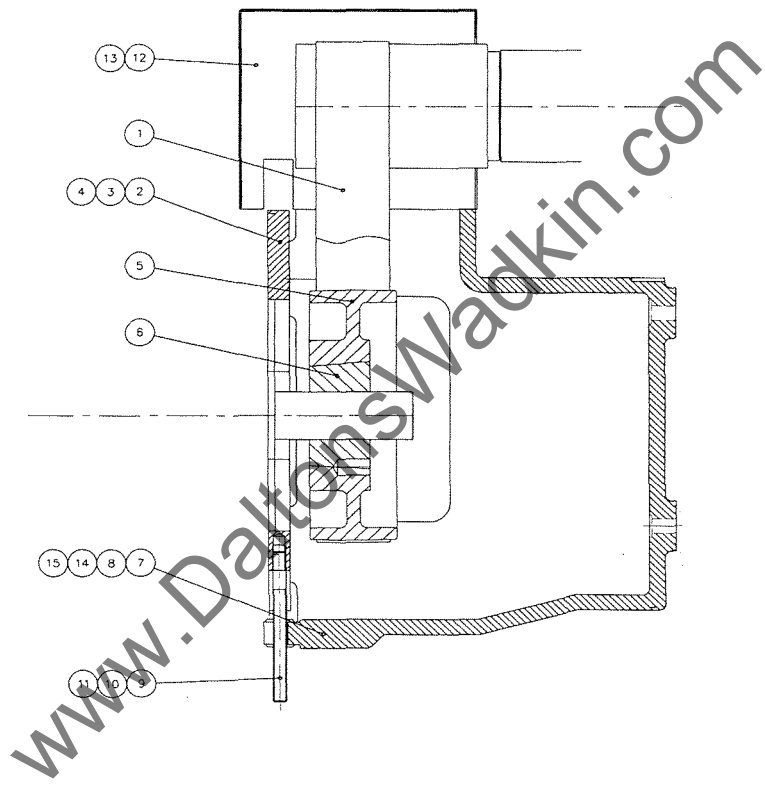
Ref.No	Part No	Description	Quantity
1	K3009242	External Circlip	2
2	K3053350	Split Wear Ring 98 x 95 x18	2
3	K3009475	Internal Snap Ring BR100	4
4	GA8195	Pin for Anti-Rotation	1
5	K0526114	Hexagon Socket Screw M6 x 10mm	1
6	K3073908	ETP Hydrogrip Outboard Bearing Sleeve	1
7	FDR4481	Drive Key for Outboard Bearing	1
8	K0525118	Hex.Socket Caphead Screw M3 x 10mm	1
9	FDR4562	Plastic Spindle Guard	1
10	GA16400	End Cap	1
11	K0525144	Hex.Socket Caphead Screw M5 x 16mm	2
12	GA8190	Housing for Outboard Bearing Sleeve	1
13	GA16099	Adaptor for Spindle Guard	1
14	K0525164	Hex.Socket Caphead Screw M6 x 12mm	2
15	K0525740	Hex.Socket Buttonhead Screw M4 x 10mm	2
16	K0527115	Hexagon Nut M4	2
17	GA8737	Outboard Bearing Housing	1
18	K0605198	Ball Bearing, Kluber Grease Packed	2
19	GA8395	Paired Spacer for Outboard Bearing	1
20	GA8153	Locknut for Bearing Housing	1
21	GA8154	Locknut for Bearing Sleeve	1
22	K0526114	Hexagon Socket Screw M6 x 10mm	2
23	K3005161	Bush PP18E12R	2
24	K0520526	Tension Pin 6 dia.x 32 long	4
25	K0529174	Hardened Dowel Pin 12 dia.x 45 long	2
26	K0525168	Hex.Socket Caphead Screw M6 x 30mm	4
27	GA8192	Location Knob	2
28	K3062360	Black Plastic Plug	2
29	GA7115	C' Washer	2
30	K3072879	Shoulder Screw M8	2
31	GA15731	Collared Nut M12	2
	K0526302	Stud M12 x 80 long	2



2nd BOTTOM HEAD OUTBOARD BEARING

2nd Bottom Head Drive

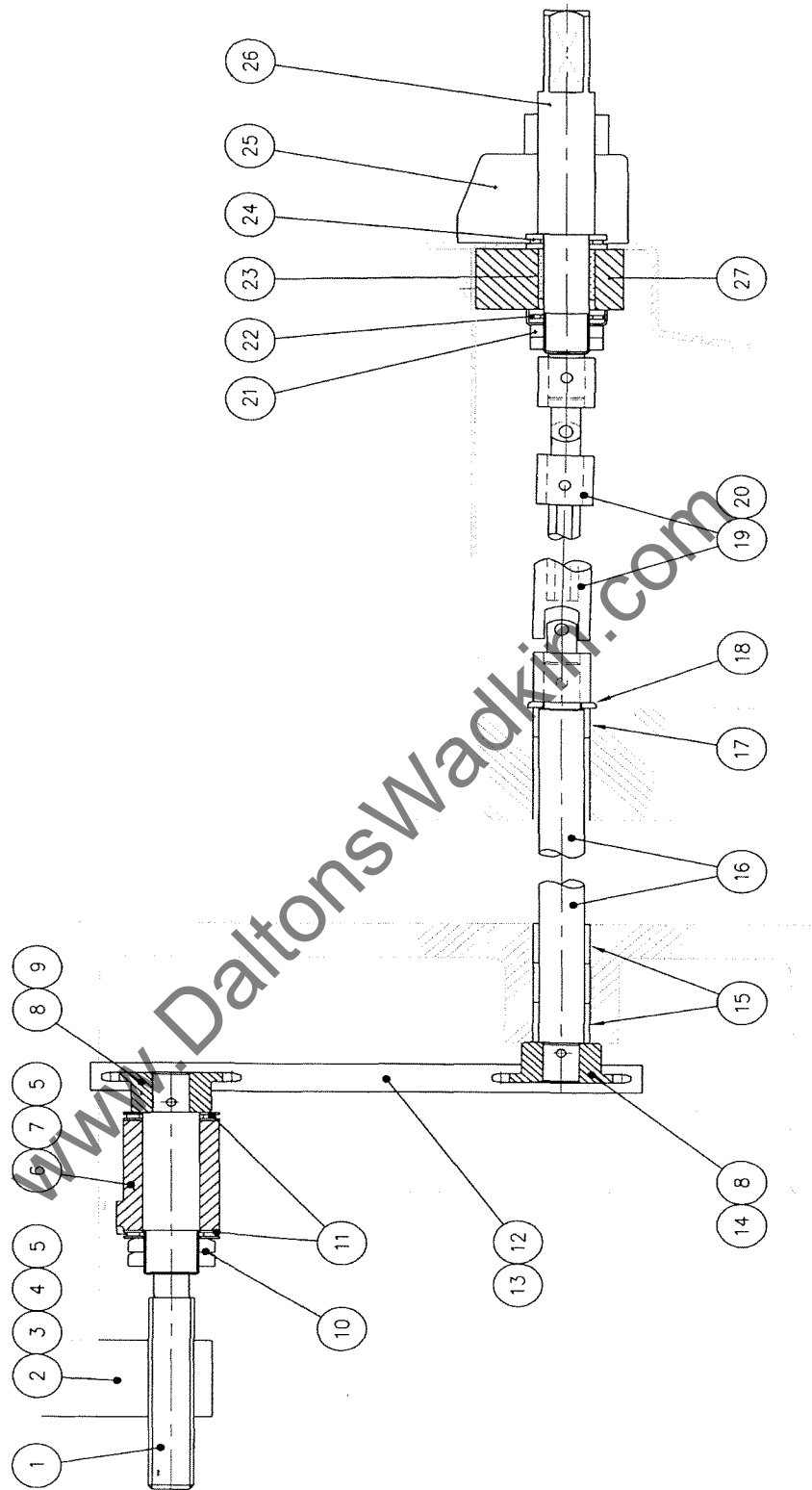
Ref.No	Part No	Description	Quantity
1	K3005564	940 x 55 Flat Belt 50HZ Drive	1
	K3005567	880 x 55 Flat Belt 60HZ Drive	1
2	GA5820	Motor Mounting Plate	1
3	K0526296	Stud M12 x 50mm long	4
4	K0527104	Hexagon Nut M12	4
	K0528105	Washer M12	4
5	GA20941	Motor Pulley,6000rpm 50HZ Drive	1
	GA20942	Motor Pulley,6000rpm 60HZ Drive	1
6	K3077194	Taperlock Bush, 38mm bore	1
7	GA6233	Motor Mounting Bracket	1
8	K0525210	Hex.Socket Caphead Screw M10 x 30mm	4
	K0526298	Stud M12 x 60mm long	4
	K0527104	Hexagon Nut M12	4
	K0528105	Washer M12	4
9	GA6170	Stud for Motor Mounting R&F Lock	1
10	K0527110	Hexagon Locknut M10	2
11	K0528104	Washer M10	2
12	GA21086	Belt Guard LH for Horizontal Heads	1
13	K0525179	Hex.Socket Caphead Screw M6 x 8mm	4
14	GA16553	Cover Plate	2
15	K0525500	Hexagon Head Screw M6 x 10mm	4
	K0528102	Washer M6	4



2nd BOTTOM HEAD DRIVE

2nd Bottom Head Axial Adjustment

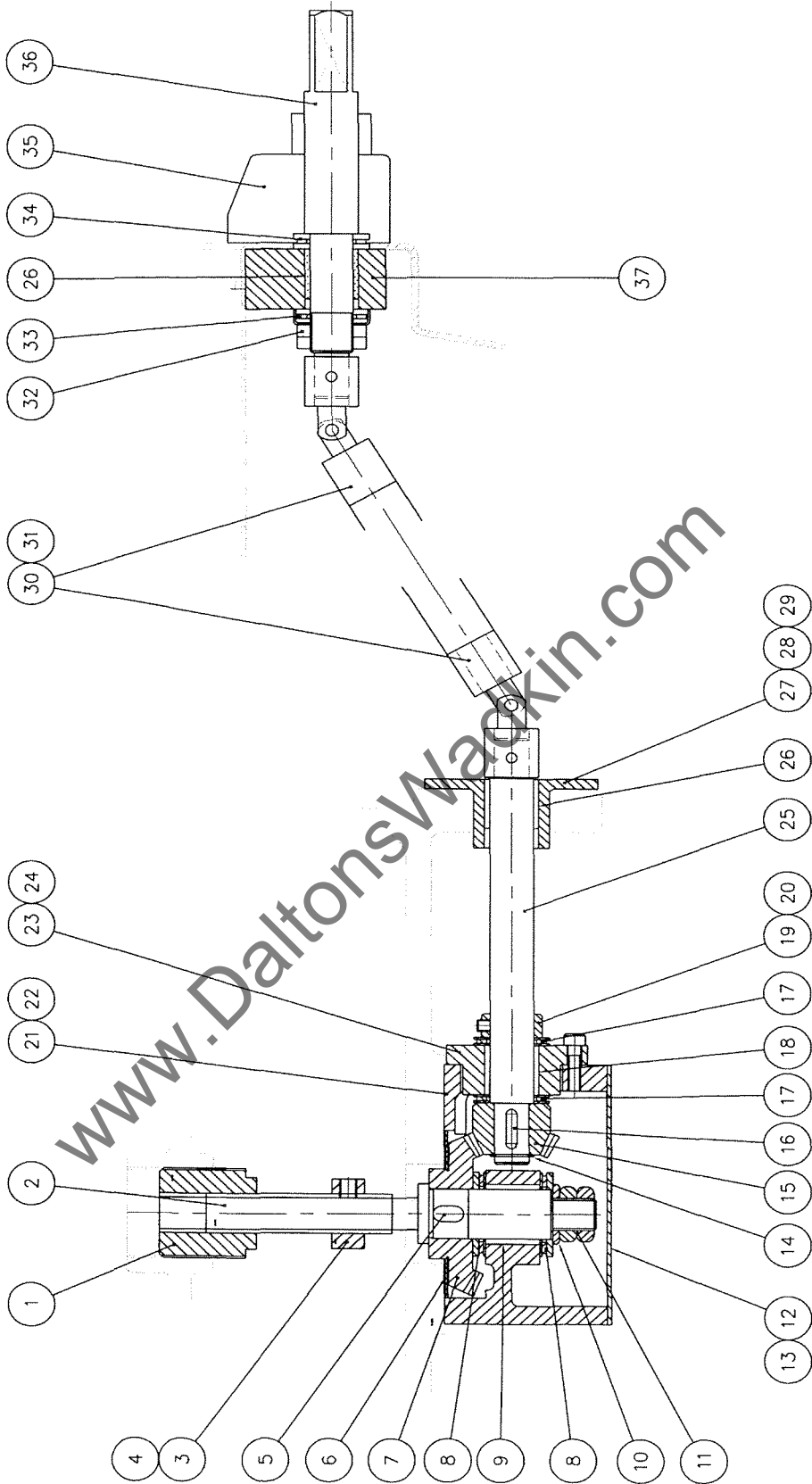
Ref.No	Part No	Description	Quantity
1	GA1929	Screw for Axial adjustment	1
2	GA5821	Nut for Axial Adjustment	1
3	K0525620	Hexagon Head Screw M10 x 80 long	1
4	K0527103	Hexagon Nut M10	1
5	K0528104	Washer M10	4
6	GA7736	Bearing Bracket for Axial Adjustment	1
7	K0525532	Hexagon Head Screw M10 x 35 long	2
8	GA72	Chain Sprocket	2
9	K0520485	Tension Pin 4 dia.x 32 long	1
10	K0527224	Notch Nut M24	2
11	K0610213	Thrust Bearing	2
	K0610254	Thrust Washer	4
12	K3009641	Chain 1/2"pitch x 39 pitches	1
13	K3009381	Chain Connecting Link	1
14	K0520507	Taper Pin	1
15	K0531564	Oilite Bush 20 x 25 x 20 long	2
16	GA20857	Shaft for Axial Adustment	1
17	K0531540	Oilite Bush 20 x 25 x 15 long	1
18	K0528106	Washer M16	1
19	GA1701	Universal Coupling	1
20	K0520503	Taper Pin	2
21	K05207205	Notch Nut M20	2
22	K0614241	Nadella Bearing	1
23	K0531576	Oilite Bush 20 x 25 x 25 long	1
24	K0610212	Thrust Bearing	1
	K0610320	Thrust Washer	2
25	K3025489	Digital Readout (Metric)	1
	K3025493	Digital Readout (Imperial)	1
26	GA19798	Input Shaft	1
27	GA20854	Bearing Block for 2nd Bottom Head	1



2nd BOTTOM HEAD AXIAL ADJUSTMENT

2nd Bottom Head Rise & Fall

Ref.No	Part No	Description	Quantity
1	GA3784	Nut For Bottom Head Rise & Fall	1
2	GA4062	Screw for Bottom Head Rise & Fall	1
3	DP636	Stop for Rise & Fall Screw	1
4	K0526124	Hexagon Socket Screw M8 x 8 long	2
5	K0523440	Parallel Key 8 x 7 x 14mm	1
6	GA7867	Sealing Ring	1
7	GA6751	Bevel Gear 32t	1
8	K0610213	Bearing	2
	K0610254	Washer	2
	K0610310	Thrust Washer	2
9	K0531577	Oilite Bush 25 x 30 x 25 long	1
10	K0528106	Washer 16mm	1
11	K0527112	Hexagon Locknut M16	2
12	GA6761	Cover for Bevel Box	1
13	K0525137	Hex.Socket Caphead Screw M4 x 8 long	3
14	K3009298	External Circlip 16mm	1
15	GA6752	Bevel Gear 16t	1
16	K0523110	Parallel Key 5 x 5 x 20mm	1
17	K0610212	Thrust Bearing	2
	K0610252	Thrust Washer	4
18	K0531576	Oilite Bush 20 x 25 x 25 long	1
19	K0528226	Collar	1
20	K0526112	Hex.Socket Screw M6 x 6 long	1
21	GA6748	Bevel Box	1
22	K0525177	Hex.Socket Caphead Screw M6 x 75 long	4
23	GA6756	End Cap for Rise & Fall Bevel Box	1
24	K0525166	Hex.Socket Caphead Screw M6 x 20 long	3
25	GA19796	Cross Shaft for Bottom Head Rise & Fall	1
26	K0531576	Oilite Bush 20 x 25 x 25 long	2
27	GA19802	Bearing Block	1
28	K0525186	Hex.Socket Caphead Screw M8 x 16 long	2
29	K0528103	Washer 8mm	2
30	GA20860	Universal Joint for Bottom Head Rise & Fall	1
31	K0520503	Taper Pin	2
32	K0527205	Notch Nut M20	2
33	K0614241	Nadella Bearing	1
34	K0610212	Thrust Bearing	1
	K0610320	Thrust Washer	2
35	K3025500	Digital Readout (Metric)	1
	K3025501	Digital Readout (Imperial)	1
36	GA19798	Input Shaft	1
37	GA20854	Bearing Block for 2nd Bottom Head	1



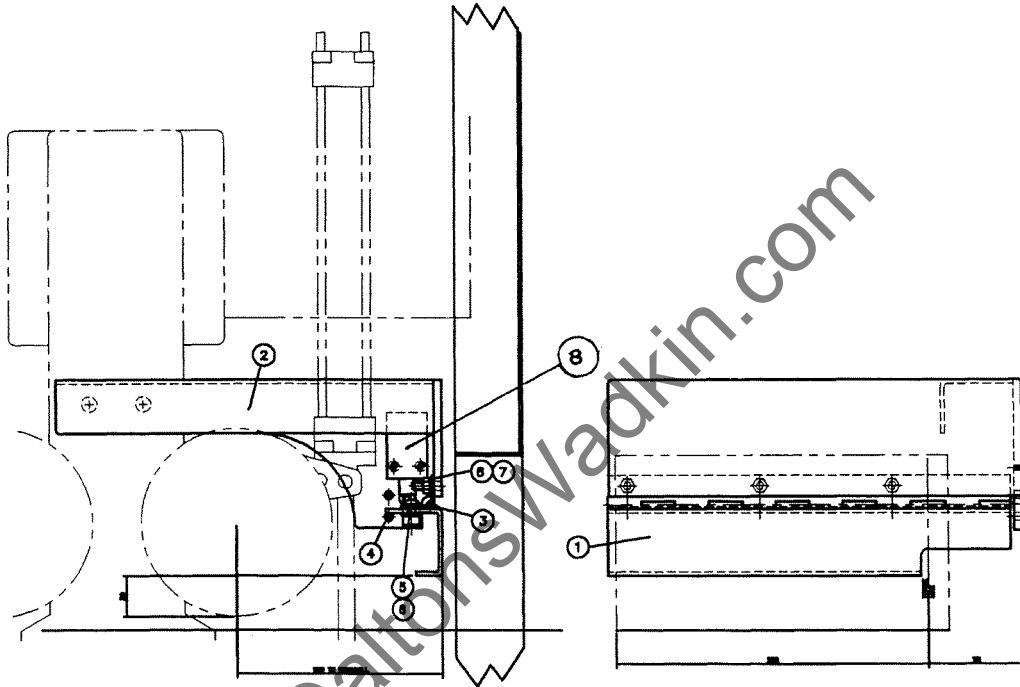
2nd BOTTOM HEAD RISE & FALL

SECTION 7 : TOP BEAM & FEED

www.DaltonsWadkin.com

Infeed Timber Gate Assembly

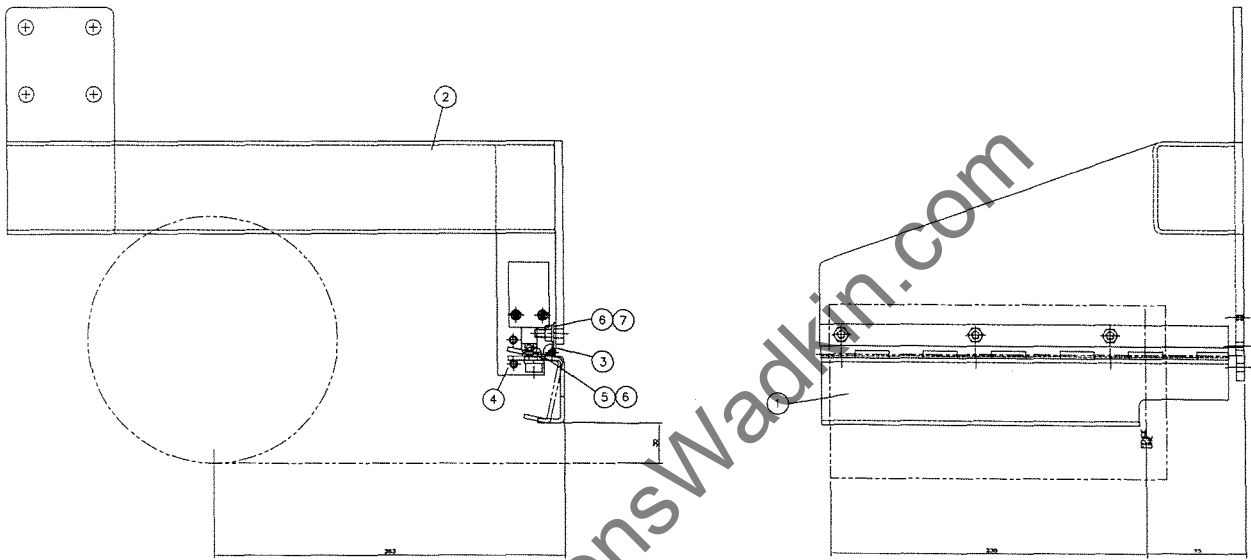
Item	Part No	Description	Quantity
*1	GA4879	Infeed Gate	1
*2	GA16015	Bracket for Infeed Gate	1
	K0525207	Hex.Socket Caphead Screw M10 x 16 long	2
	K0828155	Spring Coil Washer M10	2
*3	GA3743	Hinge for Infeed Gate	1
*4	K0520522	Tension Pin 6 dia.x 20 long	2
*5	K0525424	Pozidrive Pan Head Screw M6 x 16 long	3
*6	K0528102	Washer 6mm	3
*7	K0527101	Hexagon Nut M6	3
8	K1206208	Limit Switch	1
	GA16093	Spring for Limit Switch	1
*	GA16019	Infeed Gate Assembly	1



INFEED TIMBER GATE ASSEMBLY

Infeed Timber Gate Assembly (Pushfeed)

Item	Part No	Description	Quantity
*1	GA4879	Infeed Gate	1
*2	GA16137	Bracket for Infeed Gate	1
	K0525207	Hex.Socket Caphead Screw M10 x 16 long	4
	K0828155	Spring Coil Washer M10	4
*3	GA3743	Hinge for Infeed Gate	1
*4	K0520522	Tension Pin 6 dia.x 20 long	2
*5	K0525424	Pozidrive Pan Head Screw M6 x 16 long	3
*6	K0528102	Washer 6mm	6
*7	K0527101	Hexagon Nut M6	3
8	K1206208	Limit Switch	1
	GA16093	Spring for Limit Switch	1
*	GA16138	Infeed Gate Assembly	1

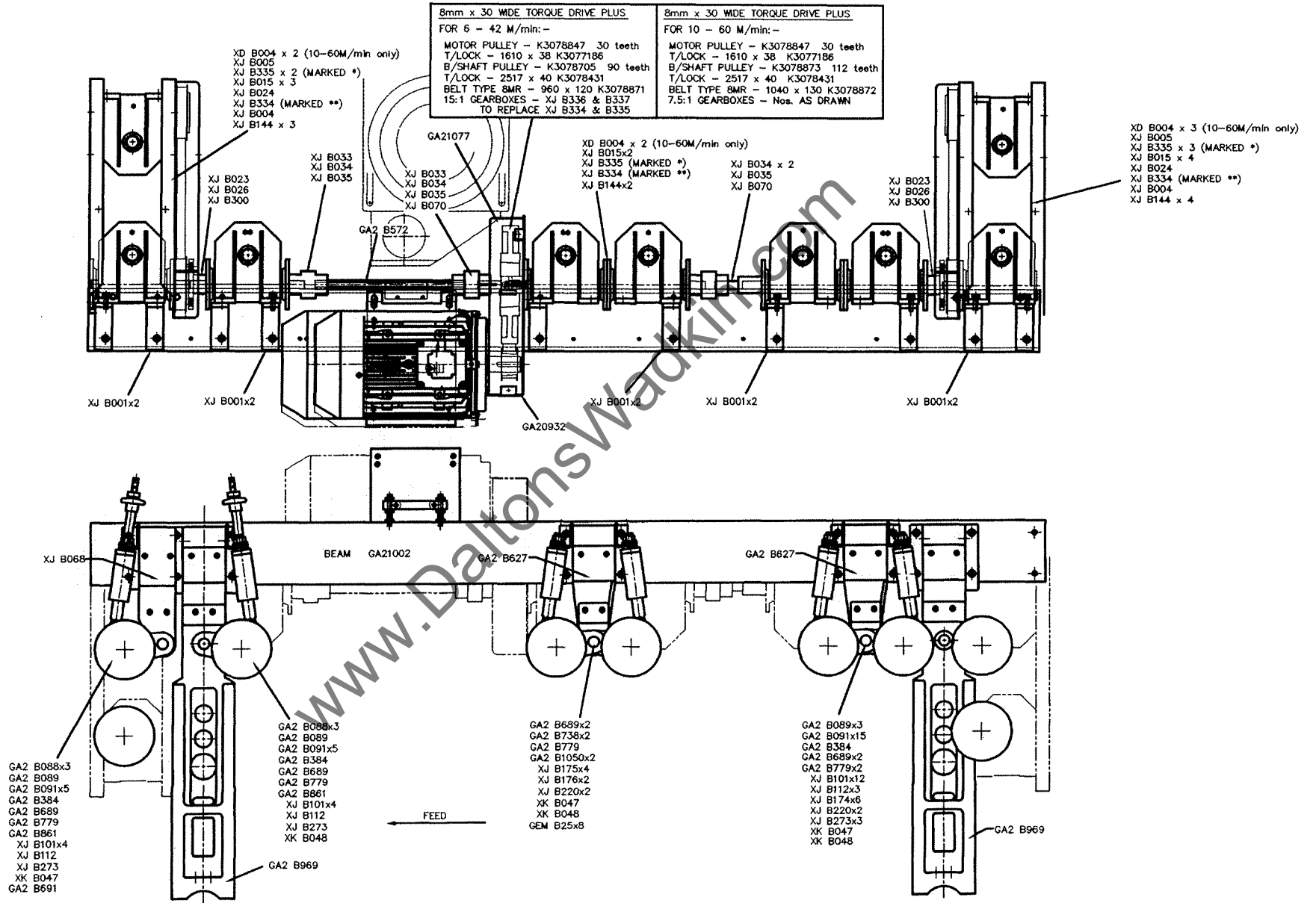


INFEED TIMBER GATE ASSEMBLY (PUSHFEED)

Beam Assembly

Ref.No	Part No	Description	Quantity	
			HT5	HT6
GA2B088	GA4434	Polyurethane Roller 50mm wide	6	6
GA2B089	GA716	Feedroll Spacer 40mm wide	5	6
GA2B091	GA718	Feedroll Spacer 10mm wide	25	30
GA2B1050	GA73	Eyebolt	2	2
GA2B1050	GA7462	Feedroll Swing	2	2
GA2B1050	K0527111	Hexagon Locknut M12	2	2
GA2B1050	K0531577	Oilite Bush 25 x 30 x 25 long	4	4
GA2B1050	K0601126	Ball Bearing	4	4
GA2B1050	K3009140	External Circlip 30mm	2	2
GA2B1050	K3009279	Internal Circlip 55mm	2	2
GA2B384	GA30	Spacer for Single Feedroll Swing	3	4
GA2B397	GA6791	Hexagon Connecting Rod 370mm		1
GA2B476	GA6798	Hexagon Connecting Rod 470mm (HT6/42 only)		1
GA2B572	GA6799	Hexagon Connecting Rod 355mm	1	
GA2B627	GA7475	Bracket for Feedroll Swing	2	3
GA2B627	K0525212	Hex.Socket Caphead Screw M10 x 40 long	8	12
GA2B627	K0526139	Hexagon Socket Screw M10 x 20 long	2	3
GA2B627	K0528155	Spring Coil Washer 10mm	8	12
GA2B689	K3061911	Feedroll Cylinder c/w pin & circlip	6	7
GA2B689	K3063153	Swivel Elbow 1/8"BSP/6mm	6	7
GA2B691	GA6539	Mounting Bracket for Bedroll	1	(1) 2
GA2B691	GA6540	Swing for Bedroll	1	(1) 2
GA2B691	GA6589	Pivot Shaft	1	(1) 2
GA2B691	GA7781	Bedroll Assembly	1	(1) 2
GA2B691	K0523136	Parallel Key 8 x 7 x 36mm	1	(1) 2
GA2B691	K0525533	Hexagon Head Screw M10 x 40 long	1	(1) 2
GA2B691	K0526136	Hexagon Socket Screw M10 x 10 long	1	(1) 2
GA2B691	K0527104	Hexagon Nut M12	1	(1) 2
GA2B691	K0527110	Hexagon Locknut M10	1	(1) 2
GA2B691	K0531577	Oilite Bush 25 x 30 x 25 long	2	(2) 4
GA2B691	K0601126	Bearing	2	(2) 4
GA2B691	K3009140	External Circlip 30mm	1	(1) 2
GA2B691	K3009145	External Circlip 25mm	1	(1) 2
GA2B691	K3009279	Internal Circlip 55mm	1	(1) 2
GA2B691	K3061911	Bedroll cylinder c/w pin & circlip	1	(1) 2
GA2B691	K3063153	Swivel Elbow 1/8"BSP/6mm	1	(1) 2

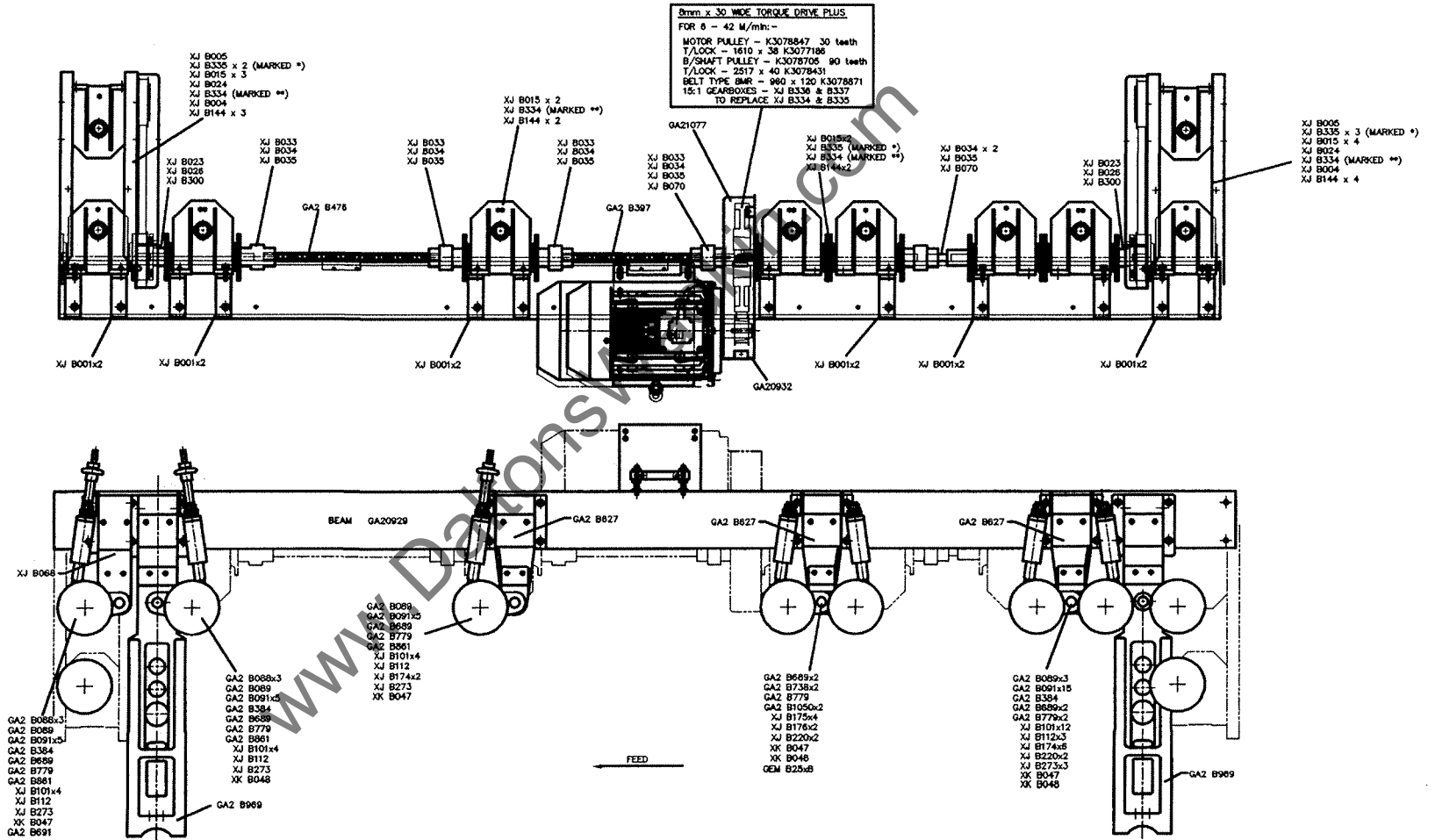
HT 5/42 & HT 5/60 BEAM ASSEMBLY



Beam Assembly

Ref.No	Part No	Description	Quantity	
			HT5	HT6
GA2B738	GA8967	Top Feedroll Shaft Assembly	2	2
GA2B738	GEM3326	C Washer	2	2
GA2B738	GEM3333	Feedroll Flange	2	2
GA2B738	K0523136	Parallel Key 8 x 7 x 36mm	2	2
GA2B779	GA1867	Swing Pivot Shaft	5	6
GA2B779	K0524200	Disc Spring 50 x 25.4 x 1.5mm	10	12
GA2B861	GA1818	Screw for Feedroll Adjustment	2	3
GA2B861	GA19261	Thumb Nut M12	2	3
GA2B861	GA3849	Spacer for Adjusting Screw	2	3
GA2B861	GA73	Eyebolt	2	3
GA2B861	K0527111	Hexagon Locknut M12	4	6
GA2B861	K0528207	Collar	2	3
GA2B861	K0530262	Handwheel M12	2	3
GA2B861	K3053211	Dome Nut M12	2	3
GA2B861	K3061243	Clevis Pin & Locknut M12	2	3
GA2B861	K3062271	Tension Pin 12 x 26	2	3
GEMB25	GEM3334	Flange Mounted Feedroll Spacer 20mm	8	8
XDB001	GA20929	Top Beam Model 6		1
XDB003	GA21002	Top Beam Model 5	1	
XDB004	XK1406	Wormbox Breather Extension (60 Metre m/c.only)	7	8
XJB001	GA8964	Mounting Bracket for Wormbox	10	12
XJB001	K0525211	Hex.Socket Caphead Screw M10 x 35 long	20	24
XJB001	K0525531	Hexagon Head Screw M10 x 30 long	20	24
XJB001	K0528104	Washer 10mm	20	24
XJB001	K0528155	Spring Coil Washer 10mm	20	24
XJB004	GA8928	Wormbox Side Mounting Plate	4	(4) 6
XJB004	K0525514	Hexagon Head Screw M8 x 12 long	16	(16) 24
XJB004	K0528103	Washer 8mm	16	(16) 24
XJB004	K0528154	Spring Coil Washer 8mm	16	(16) 24
XJB005	GA8925	Cover for Bedroll Belt Drive	2	(2) 3
XJB005	GA8926	Belt Drive Cover	2	(2) 3
XJB005	K0525422	Pan Head Screw M6 x 10 long	4	(4) 6
XJB005	K0526215	Stud M6 x 80 long	2	(2) 3
XJB005	K0527101	Hexagon Nut M6	2	(2) 3
XJB005	K0527151	Hexagon Self Locking Nut M6	2	(2) 3
XJB005	K0528102	Washer 6mm	2	(2) 3

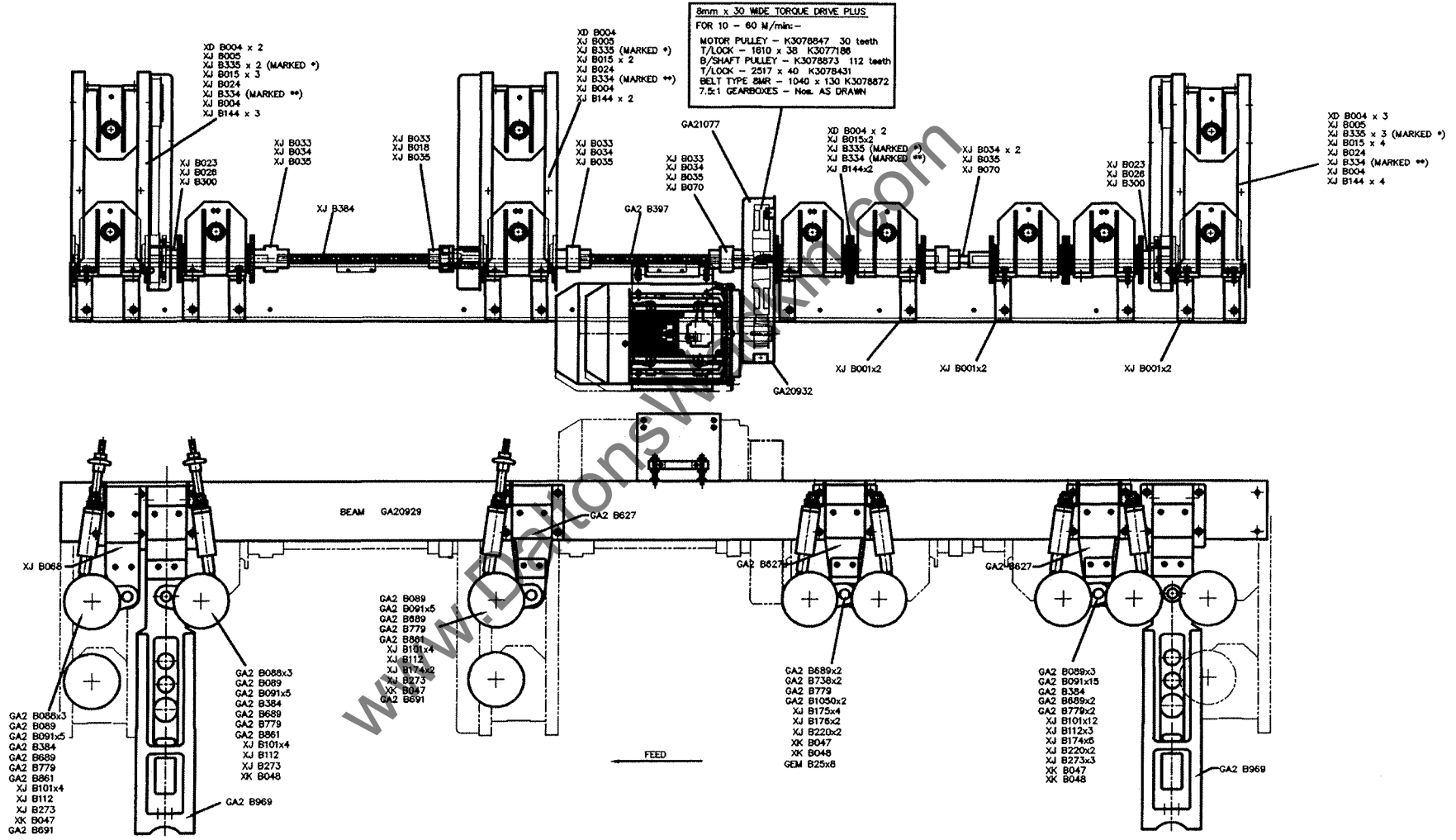
HT 6/42 BEAM ASSEMBLY



Beam Assembly

Ref.No	Part No	Description	Quantity	
			HT5	HT6
XJB015	GA8961	Output Shaft for Wormbox	9	(10) 11
XJB015	K0523136	Parallel Key 8 x 7 x 36mm	9	(10) 11
XJB015	K0523192	Parallel Key 8 x 7 x 80mm	9	(10) 11
XJB015	K3010162	External Circlip 28mm	9	(10) 11
XJB018	GA8990	Half Coupling for Bedroll Drive (HT6/60 only)		1
XJB018	K0523147	Parallel Key 14 x 9 x 40mm (HT6/60 only)		1
XJB018	K0526114	Hexagon Socket Screw M6 x 10 long (HT6/60 only)		1
XJB023	K3078688	Bedroll Driving Belt	2	(2) 3
XJB023	K3078689	Bedroll Driving Pulley	4	(4) 6
XJB024	K3078690	Taperlock Bush 19 bore	2	(2) 3
XJB026	K3078340	Taperlock Bush 48 bore	2	(2) 3
XJB033	GA6801	Half Coupling 19 hexagon bore	2	4
XJB033	K0526115	Hexagon Socket Screw M6 x 12 long	2	4
XJB034	GA7001	Half Coupling 19 bore	4	(6) 5
XJB034	K0526115	Hexagon Socket Screw M6 x 12 long	4	(6) 5
XJB035	K3009899	Coupling Spider	3	5
XJB049	GA2713	Cover for Bedroll Wormbox	2	(2) 3
XJB049	K0525505	Hexagon Head Screw M6 x 30 long	8	(8) 12
XJB068	GA1925	Mounting Bracket for Single Swing	1	1
XJB068	K0525210	Hex.Socket Caphead Screw M10 x 30 long	3	3
XJB068	K0528155	Spring Coil Washer 10mm	3	3
XJB068	K0526126	Hexagon Socket Screw M8 x 12 long	1	1
XJB070	GA2648	Gearbox Coupling	2	2
XJB070	K0523143	Parallel Key 6 x 6 x 40mm	2	2
XJB070	K0526115	Hexagon Socket Screw M6 x 12 long	2	2
XJB101	GA3213	Feedroll Spacer 15mm wide	20	24
XJB112	GA3601	Feedroll Shaft (shaft mounted rolls)	5	6
XJB112	GA3603	Key for Feedroll Shaft	5	6
XJB112	GA720	C Washer	5	6
XJB112	K0523112	Parallel Key 8 x 7 x 20mm	5	6
XJB112	K0525310	Hex.Socket C/Sunk Head Screw M4 x 12 long	10	12
XJB112	K0525543	Hexagon Head Screw M12 x 25 long	5	6
XJB144	GA3841	Universal Joint	9	(10) 11
XJB144	K0526124	Hexagon Socket Screw M8 x 8 long	18	(20) 22
XJB174	GA4569	Sawtooth Feedroll 50mm wide	6	8
XJB175	GA4562	Sawtooth Feedroll 20mm wide (flange mounted)	4	4
XJB175	K3062279	Tappex Pin 8dia.x 16 long	4	4

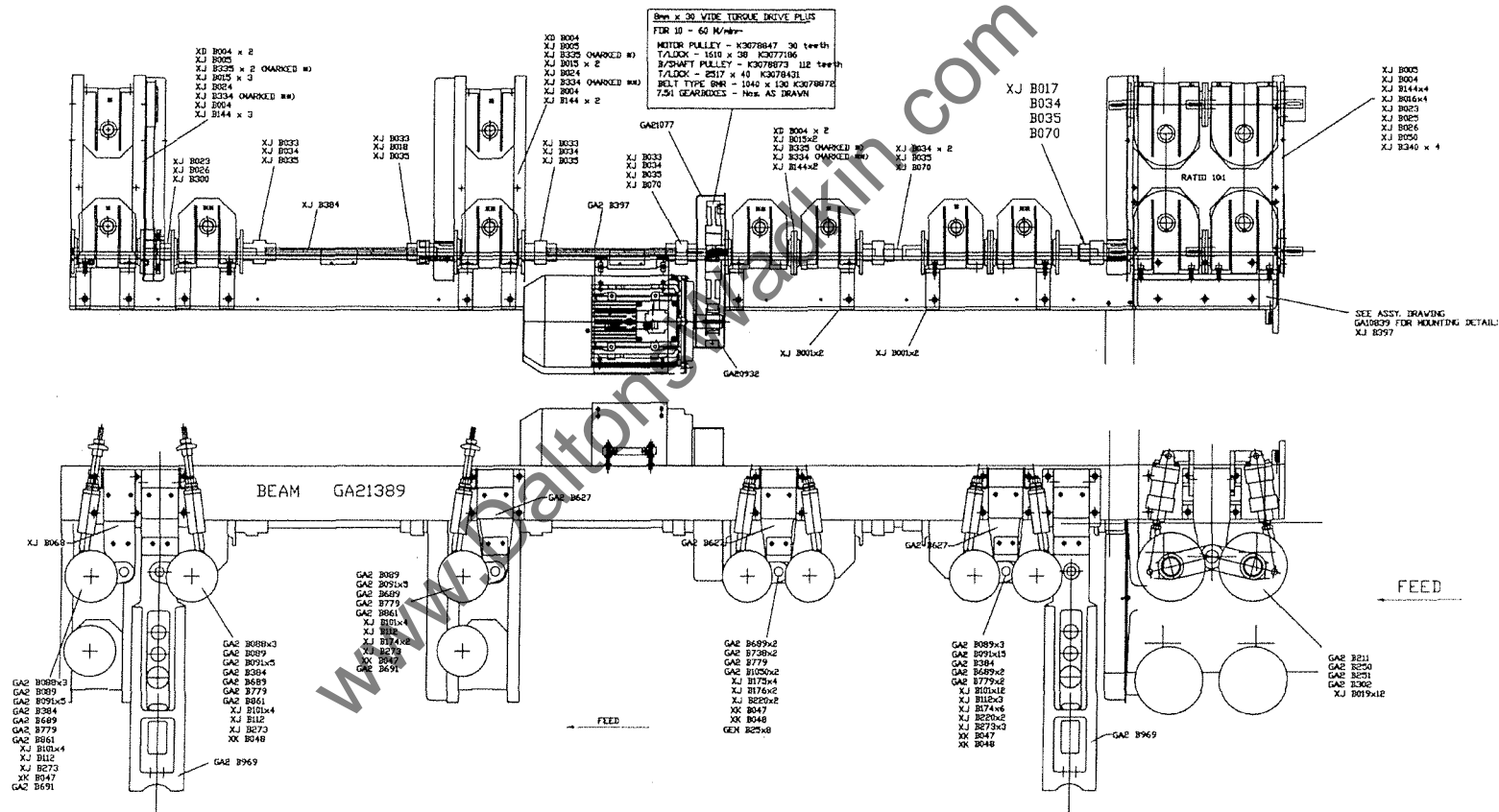
HT 6/60 BEAM ASSEMBLY



Beam Assembly

Ref.No	Part No	Description	Quantity	
			HT5	HT6
XJB176	GA4563	Sawtooth Feedroll 10mm wide (flange mounted)	2	2
XJB176	K3062279	Tappex Pin 8dia.x 16 long	2	2
XJB220	GA3942	Stud for Feedroll Swing Stop	4	4
XJB220	GA73	Eyebolt	4	4
XJB220	K0527111	Hexagon Locknut M12	4	4
XJB220	K0527147	Self Locking Nut M12	4	4
XJB220	K0528207	Collar	4	4
XJB220	K3062271	Tension Pin 12 dia. x 26 long	4	4
XJB220	K3061243	Clevis Pin & Locknut	4	4
XJB273	GA73	Eyebolt	5	6
XJB273	GA7462	Feedroll Swing	5	6
XJB273	K0527111	Hexagon Locknut M12	5	6
XJB273	K0531577	Oilite Bush 25 x 30 x 25 long	10	12
XJB273	K0601126	Ball Bearing	10	12
XJB273	K3009140	External Circlip 30mm	15	18
XJB273	K3009279	Internal Circlip 55mm	5	6
XJB273	K3009470	Tolerance Ring SV30 x 8	5	6
XJB300	GA18421	Coupling for Infeed & Outfeed Bedroll Drive	2	2
XJB300	K0523147	Parallel Key 14 x 9 x 40mm	2	2
XJB300	K0526114	Hexagon Socket Screw M6 x 10 long	8	8
XJB334	GA19080	Wormgear Unit 7.5 : 1, Male/Male (60M m/c. only)	3	4
XJB335	GA19081	Wormgear Unit 7.5 : 1, Male/Female (60M m/c. only)	6	7
XJB335	XK1397	Foot for Wormgear Unit	14	18
XJB336	GA19085	Wormgear Unit 15:1, Male/Male (42M m/c. only)	3	4
XJB337	GA19084	Wormgear Unit 15:1, Male/Female (42M m/c. only)	6	6
XJB337	XK1397	Foot for Wormgear Unit	14	16
XKB047	XK1402	Cylinder Anchor Bracket LH	3	4
XKB048	XK1401	Cylinder Anchor Bracket RH	4	4
XKB048	K0525529	Hexagon Head Screw M10 x 20 long	14	16
XKB048	K0528104	Washer 10mm	14	16

HTPF 6/60 BEAM ASSEMBLY



Pushfeed Beam

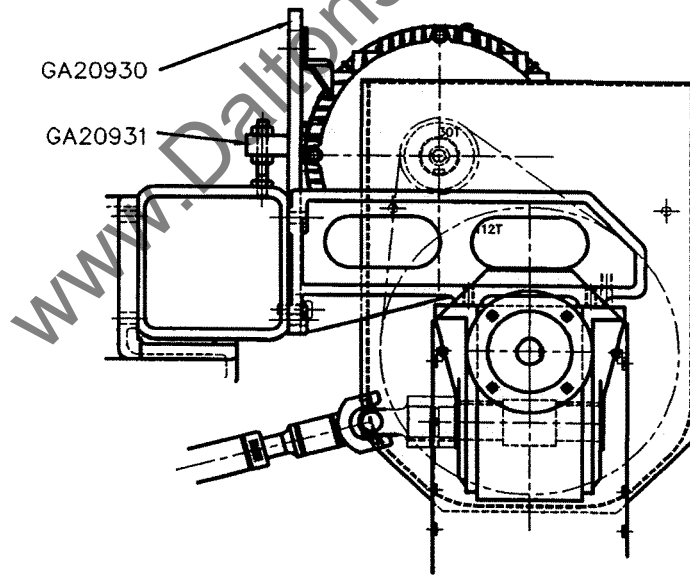
Ref.No	Part No	Description	Quantity	
			HT5	HT6
GA2B211	GA5392	Bracket for Swings	1	1
GA2B211	GA5397	Pivot Shaft	1	1
GA2B211	K0525210	Hex.Socket Caphead Screw M10 x 30 long	4	4
GA2B211	K0526138	Hexagon Socket Screw M10 x 16 long	1	1
GA2B250	GA2014	Dust Cap	2	2
GA2B250	GA21157	' C ' Washer	4	4
GA2B250	GA5725	Feedroll Swing - LH	2	2
GA2B250	GA5726	Feedroll Swing - RH	2	2
GA2B250	GA5728	Feedroll Shaft	4	4
GA2B250	GA5923	Spacing Collar	1	1
GA2B250	K0523136	Parallel Key 8 x 7 x 36mm	4	4
GA2B250	K0523217	Parallel Key 10 x 8 x 110mm	4	4
GA2B250	K0525117	Hex.Socket Caphead Screw M3 x 8 long	6	6
GA2B250	K0525543	Hexagon Head Screw M12 x 25 long	4	4
GA2B250	K0531578	Oilite Bush 30 x 35 x 25 long	8	8
GA2B250	K0601126	Ball Bearing	4	4
GA2B250	K0613309	Needle Bearing	4	4
GA2B250	K0613179	Inner Race	2	2
GA2B250	K0616180	Inner Race	2	2
GA2B250	K0616182	Inner Race	2	2
GA2B250	K0950104	Grease Nipple	2	2
GA2B250	K0950105	90deg.Grease Nipple	2	2
GA2B250	K3009134	External Circlip 40mm	4	4
GA2B250	K3009140	External Circlip 30mm	4	4
GA2B250	K3009279	Internal Circlip 55mm	4	4
GA2B250	K3009470	Tolerance Ring	4	4
GA2B250	K3074341	Oil Seal	4	4
GA2B251	GA15708	Cylinder Mounting Bracket	2	2
GA2B251	K0525531	Hexagon Head Screw M10 x 30 long	4	4
GA2B251	K0526115	Hexagon Socket Screw M6 x 12 long	2	2
GA2B251	K0528104	Washer 10mm	4	4
GA2B251	K3061895	Feedroll Cylinder, inc.clevis, pins & clips	2	2
GA2B251	K3063157	Swivel Elbow 3/8"BSP/8mm	4	4

Pushfeed Beam

Ref.No	Part No	Description	Quantity	
			HT5	HT6
GA2B302	GA5397	Pivot Shaft	1	1
GA2B302	GA6178	Bottom swing Bracket	1	1
GA2B302	GA6191	Top Stop Bar	1	1
GA2B302	K0525210	Hex.Socket Caphead Screw M10 x 30 long	4	4
GA2B302	K0525532	Hexagon Head Screw M10 x 35 long	4	4
GA2B302	K0525535	Hexagon Head Screw M10 x 50 long	2	2
GA2B302	K0526179	Hexagon Socket Screw M10 x 16 long	1	1
GA2B302	K0527110	Hexagon Locknut M10	4	4
GA2B302	K0528104	Washer 10mm	2	2
GA2B302	K0528155	Spring Coil Washer 10mm	2	2
GA2B302	K3061895	Feedroll Cylinder, inc. clevis, pins & clips	2	2
GA2B302	K3063157	Swivel Elbow 3/8"BSP/8mm	4	4
XDB005	GA21389	Top Beam HT6PF	N/A	1
XJB016	GA8962	Output Shaft	4	4
XJB016	K0523136	Parallel Key 8 x 7 x 36mm	4	4
XJB016	K0523145	Parallel key 10 x 8 x 40mm	4	4
XJB016	K3009143	External Circlip 35mm	4	4
XJB017	GA8989	Half Coupling	1	1
XJB017	K0523147	Parallel Key 14 x 9 x 40mm	1	1
XJB017	K0526112	Hexagon Socket Screw M6 x 6 long	1	1
XJB019	GA1730	Straight Fluted Feedroll	12	12
XJB019	K0529142	Hardened Dowel Pin 8 dia.x 16 long	12	12
XJB025	K3078691	2012 Taperlock Bush 24 bore	1	1
XJB050	GA2146	Gearbox Cover	1	1
XJB050	GA2155	Cover	1	1
XJB050	K0525501	Hexagon Head Screw M6 x 12 long	4	4
XJB050	K0525505	Hexagon Head Screw M6 x 30 long	4	4
XJB340	GA19156	Wormgear Unit 10:1, Male/Female	4	4

Drive Motor Mounting

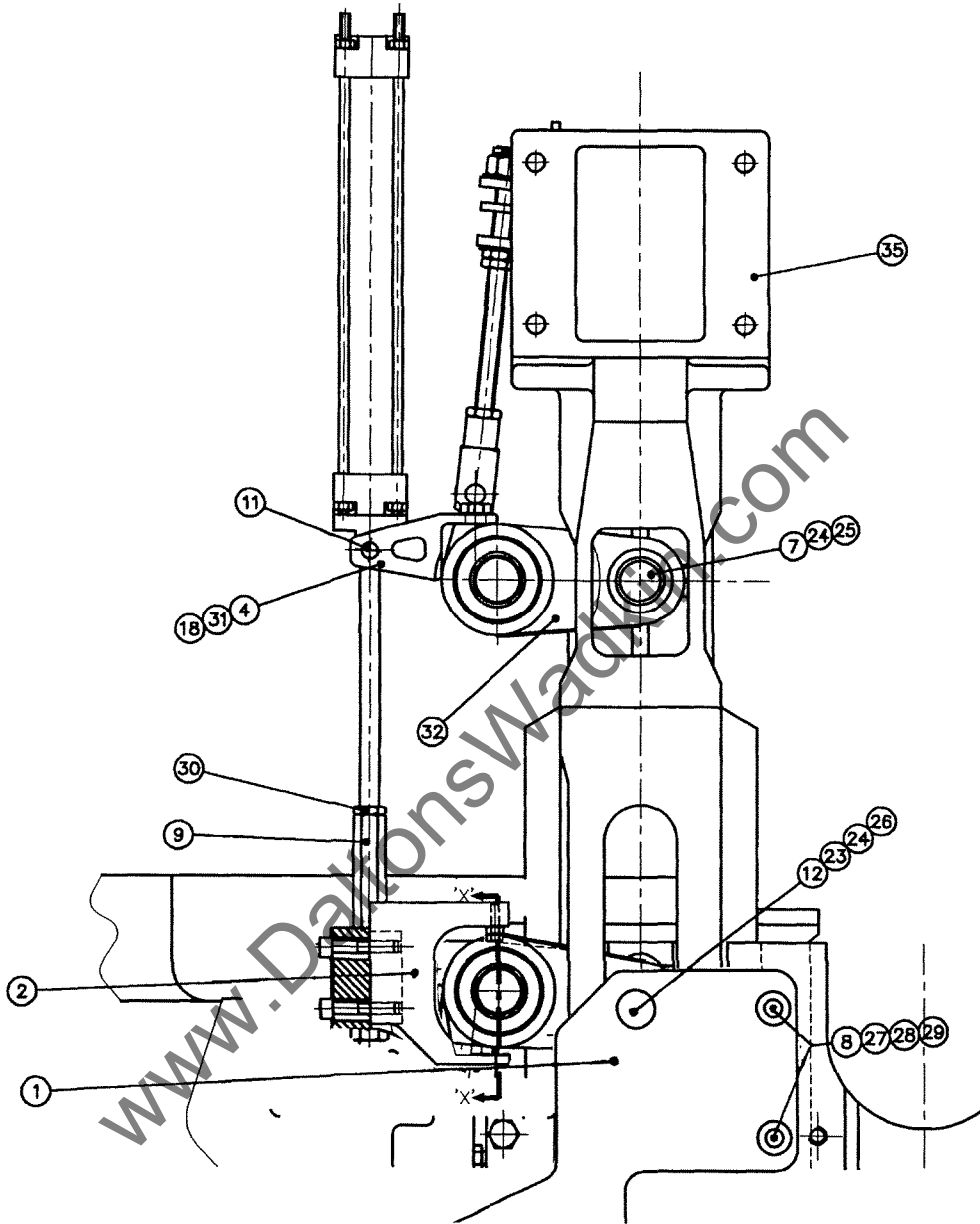
Item	Part No	Description	Quantity
GA20930	GA20930	Feed Motor Plate	1
	K0525530	Hexagon Head Screw M10 x 25 long	2
	K0525342	Hex.Socket C/Sunk Hd.Screw M10 x 30 long	2
	K0526265	Stud M10 x 40 long	4
	K0527103	Hexagon Nut M10	4
	K0528104	Washer 10mm	6
GA20931	GA20931	Adj.Block for Motor Plate	1
	K0526277	Stud M10 x 105 long	2
	K0527103	Hexagon Nut M10	4
	K0528104	Washer 10mm	4



DRIVE MOTOR MOUNTING

Infeed Nip Roll Unit

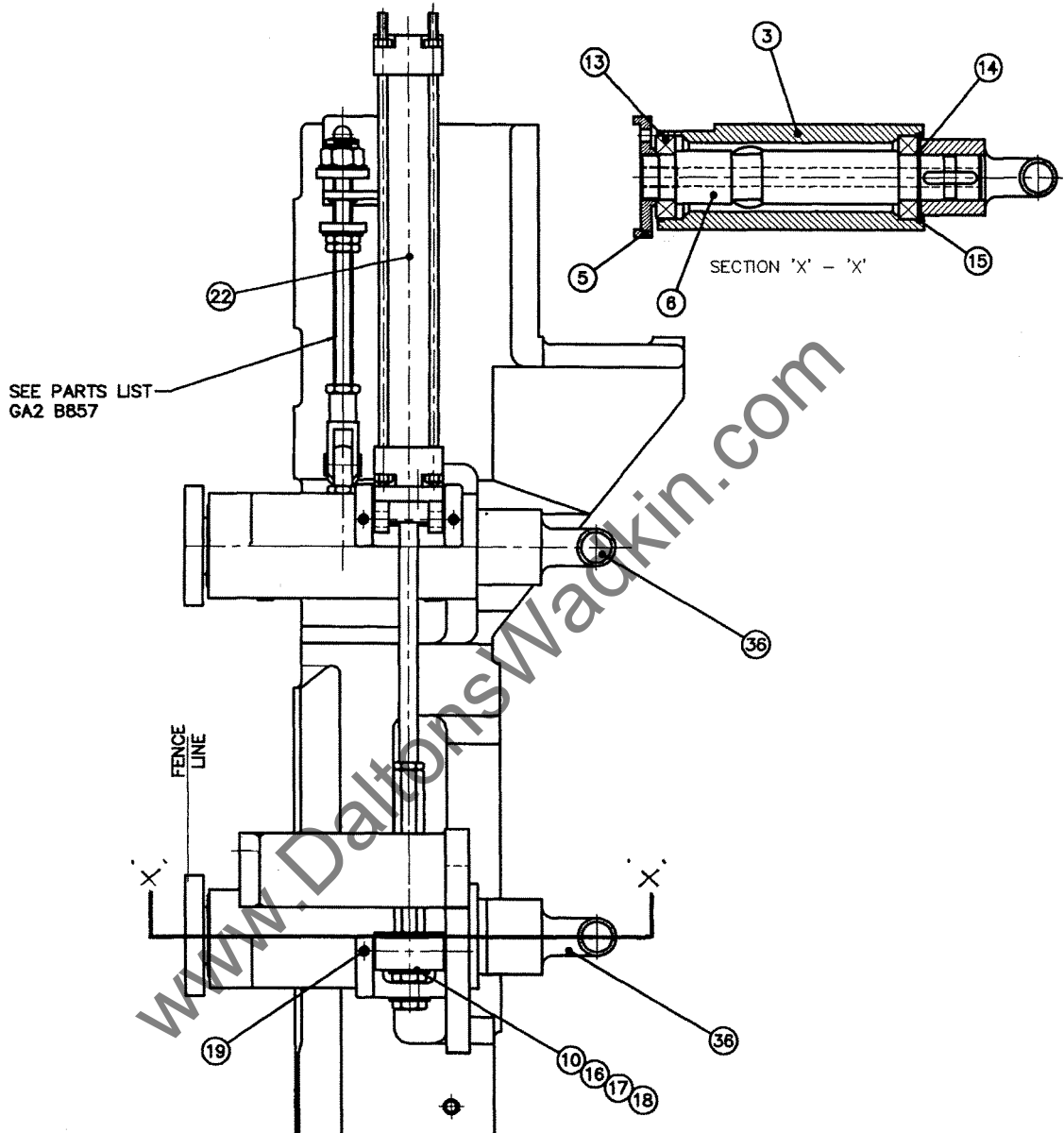
Ref.No	Part No	Description	Quantity
1	GA18979	Plate for Pivot	1
	K0526137	Hexagon Socket Screw M10 x 12 long	1
2	GA20837	Plate for Limit Stops	1
	K0525502	Hexagon Head Screw M6 x 16 long	1
	K0527108	Hexagon Locknut M6	1
3	GA1888	Swing for Infeed Bedroll	1
4	GA2586	Yoke for Cylinder	2
	K0525230	Hex.Socket Caphead Screw M12 x 25 long	2
5	FDR1027	Mounting Flange for Bottom Feedroll	1
6	GA1926	Bottom Feedroll Shaft Assembly	1
	K0523136	Parallel Key 8 x 7 x 36mm	1
	GEM3326	C Washer	1
7	GA1867	Swing Pivot Shaft	1
8	GA18180	Spacer for Pivot Support	2
9	GA1560	Link Rod for Nip Roll	1
10	GA1868	Pivot for Cylinder	1
11	GA1869	Pin for Cylinder Pivot	4
12	GA18183	Pivot Shaft for Bedroll Swing	1
13	K0601126	Ball Bearing	2
14	K3009140	External Circlip 30mm	1
15	K3009279	Internal Circlip 55mm	1
16	K0525546	Hexagon Head Screw M12 x 40 long	1
17	K0531501	Oilite Bush 10 x 14 x 8 long	2
18	K0528105	Washer 12mm	2
19	K0526112	Hex.Socket Screw M6 x 6 long	4
20	N/A		
21	N/A		
22	K3061835	Pneumatic Cylinder 200 stroke	1
23	K0528208	Collar 25mm bore	1
24	K0531577	Oilite Bush 25 x 30 x 25 long	4
25	K0524200	Disc Spring 50 x 25.4 x 1.5mm	2
26	GA18872	Spacer for Pivot Shaft	1



INFEEED DRIVEN NIP ROLL UNIT

Infeed Nip Roll Unit

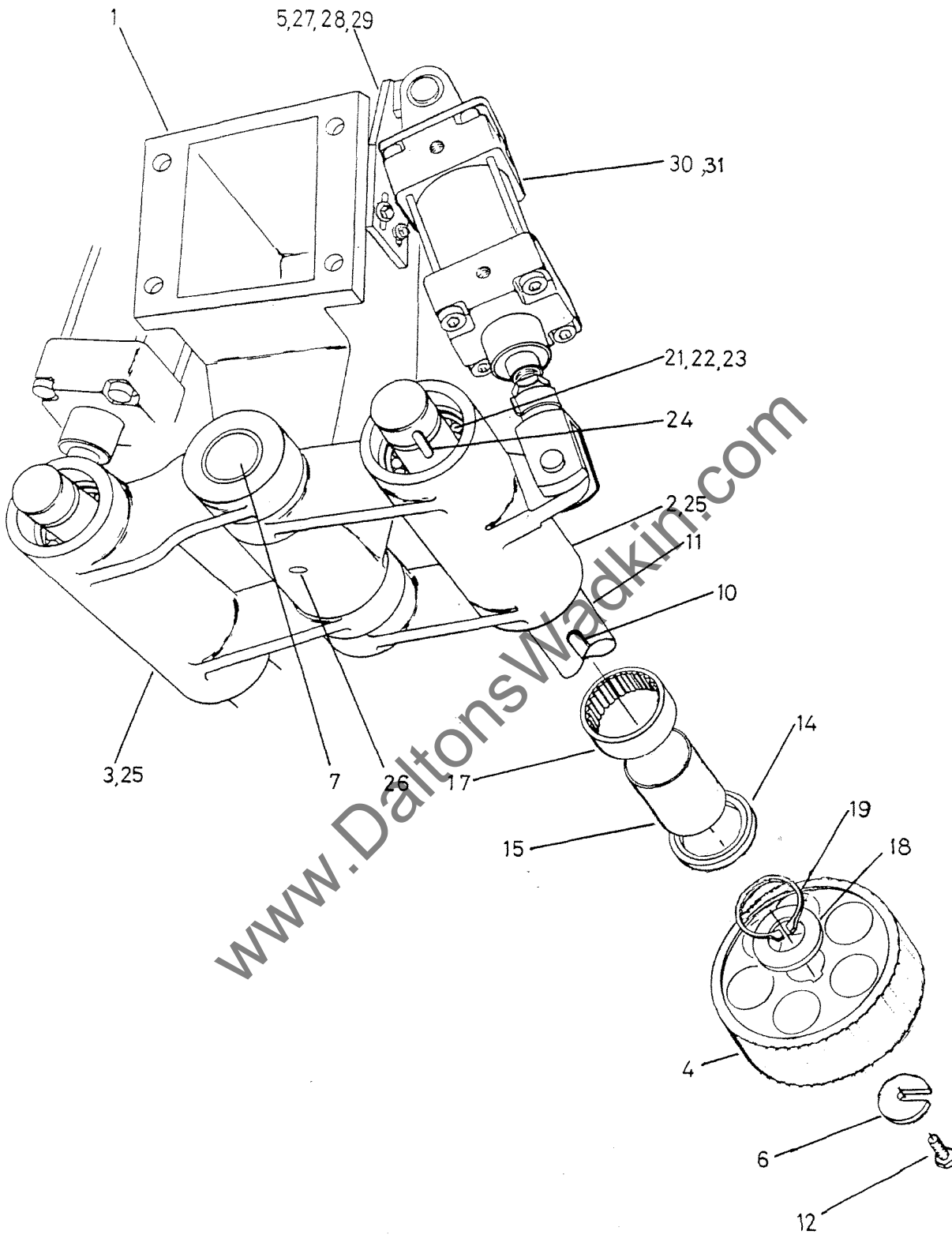
Ref.No	Part No	Description	Quantity
27	GA18180	Spacer 110 long	2
28	GA20838	Spacer 90 long	1
29	K0526280	Stud M10 x 135 long	1
	K0526282	Stud M10 x 155 long	2
	K0527103	Hexagon Nut M10	3
	K0528104	Washer 10mm	3
30	K0527110	Hexagon Locknut M10	1
31	K0525540	Hexagon Head Screw M12 x 20 long	2
32	GA7462	Feedroll Swing	1
33	N/A		
34	N/A		
35	GA3491	Slide for Beam Rise & Fall	2
	K0525210	Hex.Socket Caphead Screw M10 x 30 long	4
36	GA3841	Universal Joint	2
	K0526124	Hexagon Socket Screw M8 x 8 long	2
GA2B857	GA3850	Rubber Washer	2
GA2B857	GA3942	Stud for Feedroll Height Adjustment	1
GA2B857	K0527111	Hexagon Locknut M12	3
GA2B857	K0527147	Self Locking Nut M12	1
GA2B857	K0528114	Washer 12mm	2
GA2B857	K3061243	Clevis,Pin & Locknut M12	1



INFED DRIVEN NIP ROLL UNIT

Top Feedroll Swing Units for Pushfeed

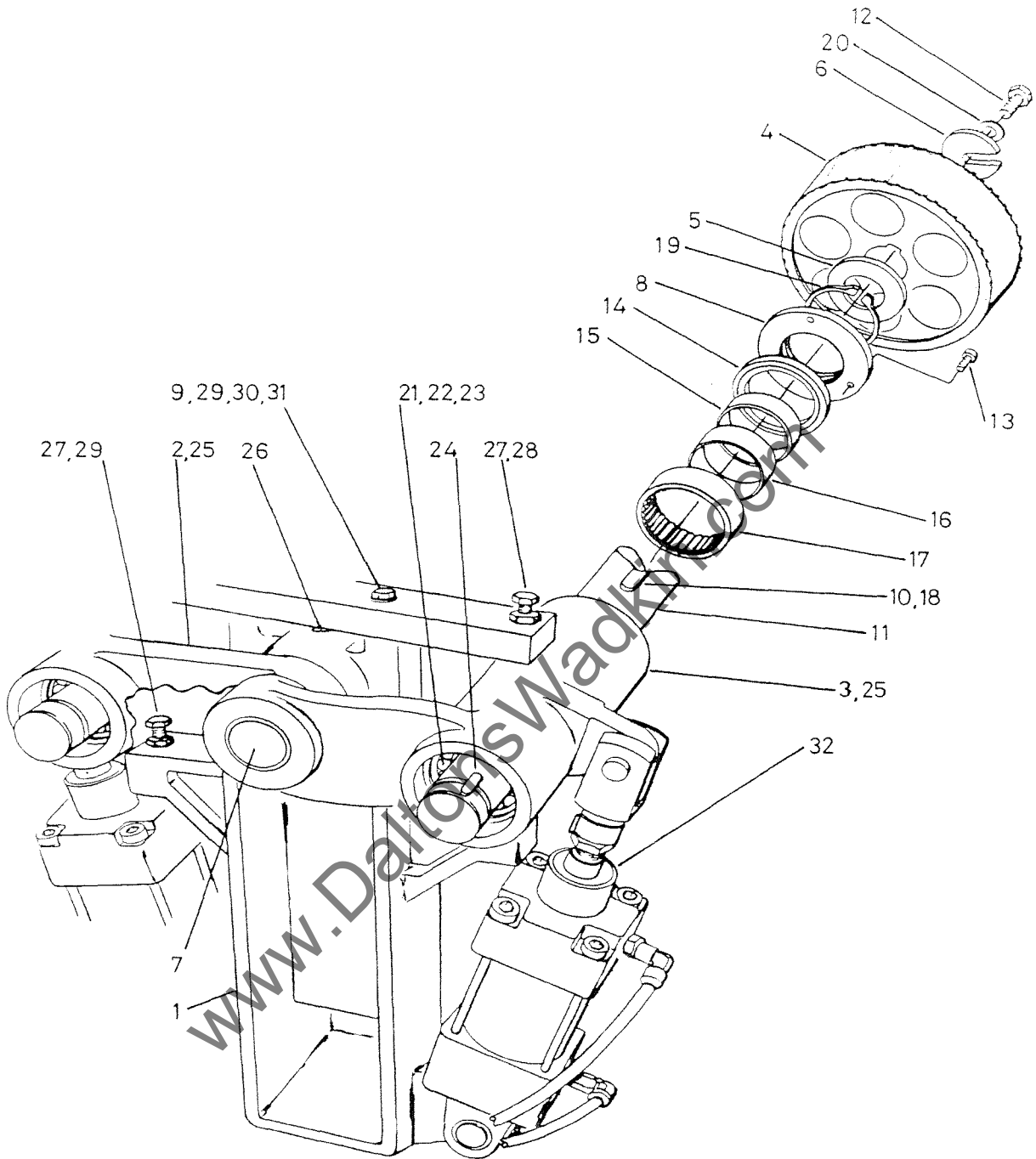
Ref.No	Part No	Description	Quantity
1	GA5392	Swing Bracket	1
	K0525210	Hex.Socket Caphead Screw M10 x 30 long	4
2	GA5725	Feedroll Swing LH, Top Outfeed	1
3	GA5726	Feedroll Swing RH, Top Infeed	1
4	XJB019	Feedrolls - Fluted	6
5	GA15708	Mounting for Top Feedroll Cylinders	2
6	GA21157	' C ' Washer	2
7	GA5397	Pivot Shaft for Swings	1
8	N/A		
9	N/A		
10	K0523217	Parallel Key 10 x 8 x 110 long	2
11	GA5728	Feedroll Shaft	2
12	K0525543	Hexagon Head Screw M12 x 25 long	2
13	N/A		
14	K3074341	Seal	2
15	K0616182	Inner Race	2
16	N/A		
17	K0613309	Needle Bearing	2
18	GA5923	Spacer (Outfeed only)	1
19	K3009134	External Circlip 40mm	2
20	N/A		
21	K0601126	Ball Bearing	2
22	K3009279	Internal Circlip 55mm	2
23	K3009140	External Circlip 30mm	2
24	K0523136	Parallel Key 8 x 7 x 36 long	2
25	K0531578	Oilite Bush 35 x 30 x 25 long	4
26	K0526138	Hex.Socket Screw M10 x 16 long	1
27	K0525531	Hexagon Head Screw M10 x 30 long	4
28	K0528104	Washer 10mm	4
29	K0526115	Hex.Socket Screw M6 x 12 long	2
30	K3061895	Cylinder (c/w pins, clevis & clips)	2
31	K3063157	Elbow Fitting	4



TOP SWING UNITS – PUSHFEED

Bottom Feedroll Swing Units for Pushfeed

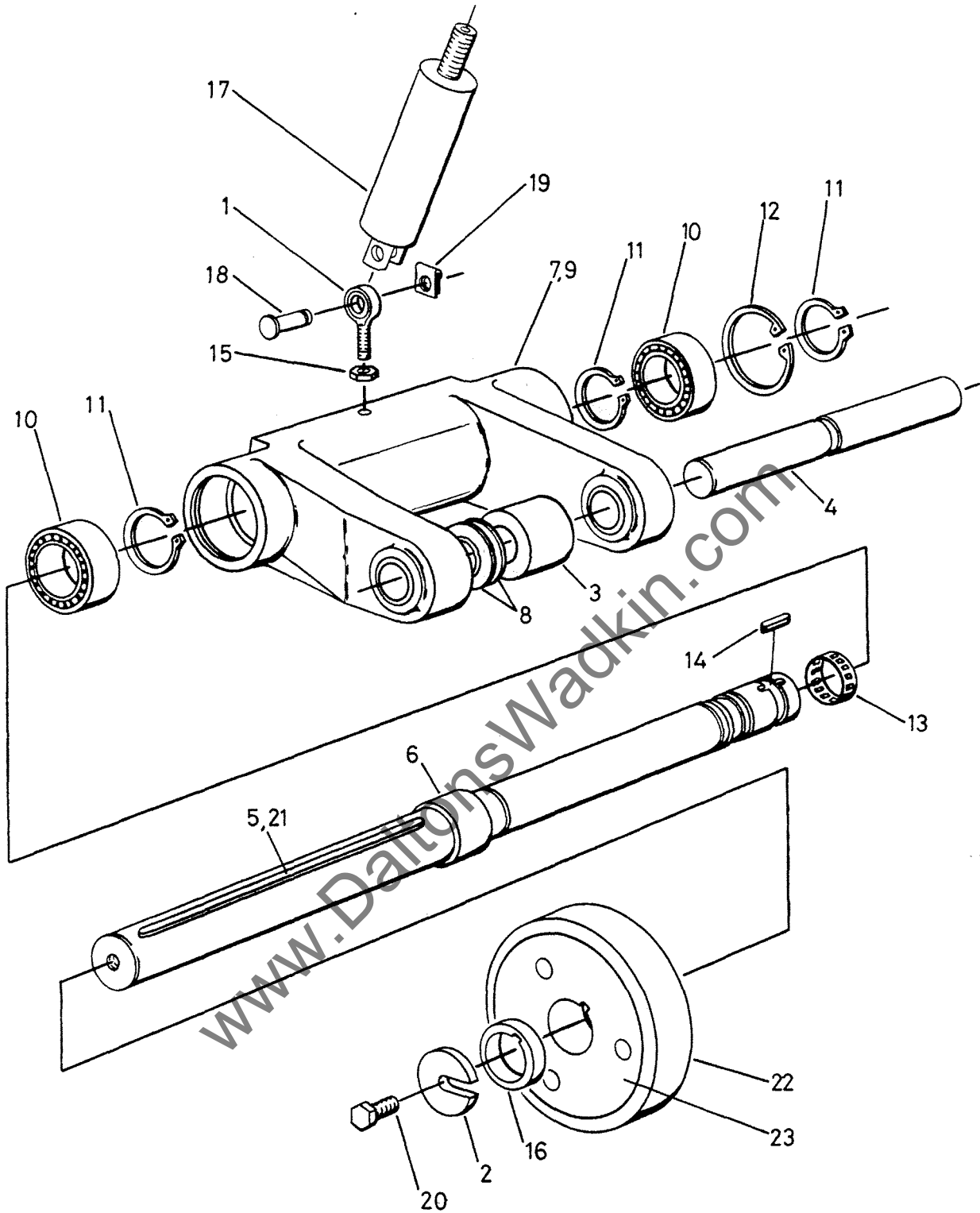
Ref.No	Part No	Description	Quantity
1	GA6178	Swing Bracket	1
	K0525210	Hex.Socket Caphead Screw M10 x 30 long	4
2	GA5725	Feedroll Swing LH, Bottom Infeed	1
3	GA5726	Feedroll Swing RH, Bottom Outfeed	1
4	XJB019	Feedrolls - Fluted	6
5	GA5923	Spacer	2
6	GA21157	' C ' Washer	2
7	GA5397	Pivot Shaft for Swings	1
8	GA2014	Dust Cap	2
9	GA6191	Stop Bar	1
10	K0523217	Parallel Key 10 x 8 x 110 long	2
11	GA5728	Feedroll Shaft	2
12	K0525543	Hexagon Head Screw M12 x 25 long	2
13	K0525117	Hex.Socket Caphead Screw M3 x 8 long	6
14	K3074341	Seal	2
15	K0616179	Inner Race	2
16	K0616180	Inner Race	2
17	K0613309	Needle Bearing	2
18	N/A		
19	K3009134	External Circlip 40mm	2
20	N/A		
21	K0601126	Ball Bearing	2
22	K3009279	Internal Circlip 55mm	2
23	K3009140	External Circlip 30mm	2
24	K0523136	Parallel Key 8 x 7 x 36 long	2
25	K0531578	Oilite Bush 35 x 30 x 25 long	4
26	K0526138	Hex.Socket Screw M10 x 16 long	1
27	K0527110	Hexagon Locknut M10	4
28	K0525535	Hexagon Head Screw M10 x 50 long	2
29	K0525532	Hexagon Head Screw M10 x 35 long	4
30	K0528104	Washer 10mm	2
31	K0528155	Spring Coil Washer M10	2
32	K3061895	Cylinder (c/w pins, clevis & clips)	2
33	K3063157	Elbow Fitting	4



BOTTOM SWING UNITS – PUSHFEED

Shaft Mounted Feedroll Swing Unit

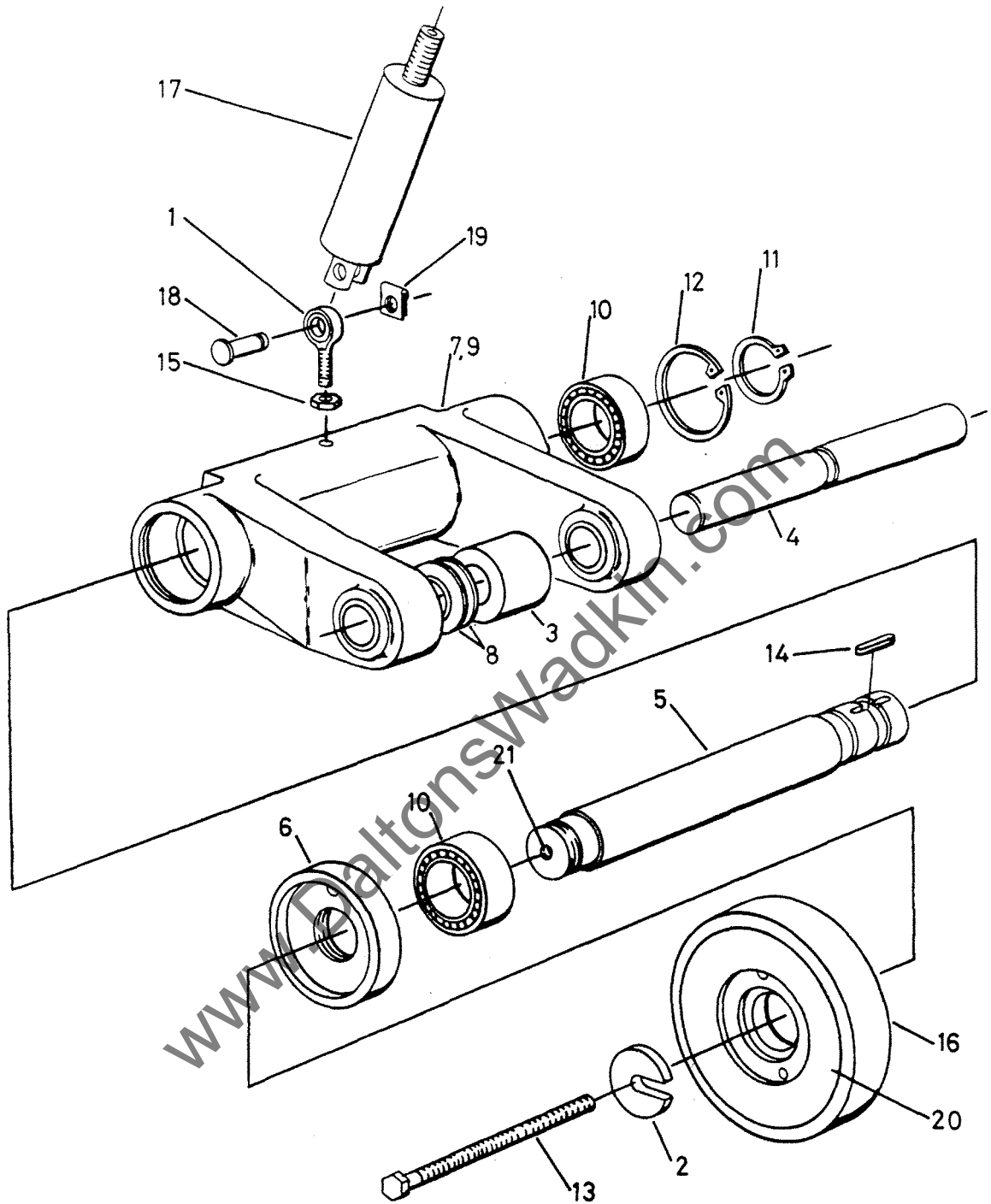
Ref.No	Part No	Description	Quantity
1	GA73	Eyebolt M12	1
2	GA720	C Washer	1
3	GA30	Spacer for Swing (single unit only)	1
4	GA1867	Pivot Shaft for Swing	1
5	GA3603	Key	1
6	GA3601	Feedroll Shaft	1
7	GA7462	Feedroll Swing	1
8	K0524200	Disc Spring 50 x 25.4 x 1.5mm	2
9	K0531577	Oilite Bush 30 x 25 x 25 long	2
10	K0601126	Ball Bearing	2
11	K3009140	External Circlip 30mm	3
12	K3009279	Internal Circlip 55mm	1
13	K3009470	Tolerance Ring SV30 x 8SS	1
14	K0523112	Parallel Key 8 x 7 x 20 long	1
15	K0527111	Hexagon Locknut M12	1
16	GA716	Feedroll Spacer 40mm wide	1
	GA718	Feedroll Spacer 10mm wide	5
	GA3213	Feedroll Spacer 15mm wide	4
17	K3061911	Single Acting Cylinder	1
18	***	Pivot Pin } supplied with	1
19	***	Retaining Clip } cylinder	1
20	K0525543	Hexagon Head Screw M12 x 25 long	1
21	K0525310	Hex.Socket C/Sunk Head Screw M4 x 12 long	2
22	GA4569	Sawtooth Feedroll 50mm wide	2
23	GA4434	Polyurethane Feedroll 50mm wide	3



SHAFT MOUNTED FEEDROLL SWING UNIT

Flange Mounted Feedroll Swing Unit

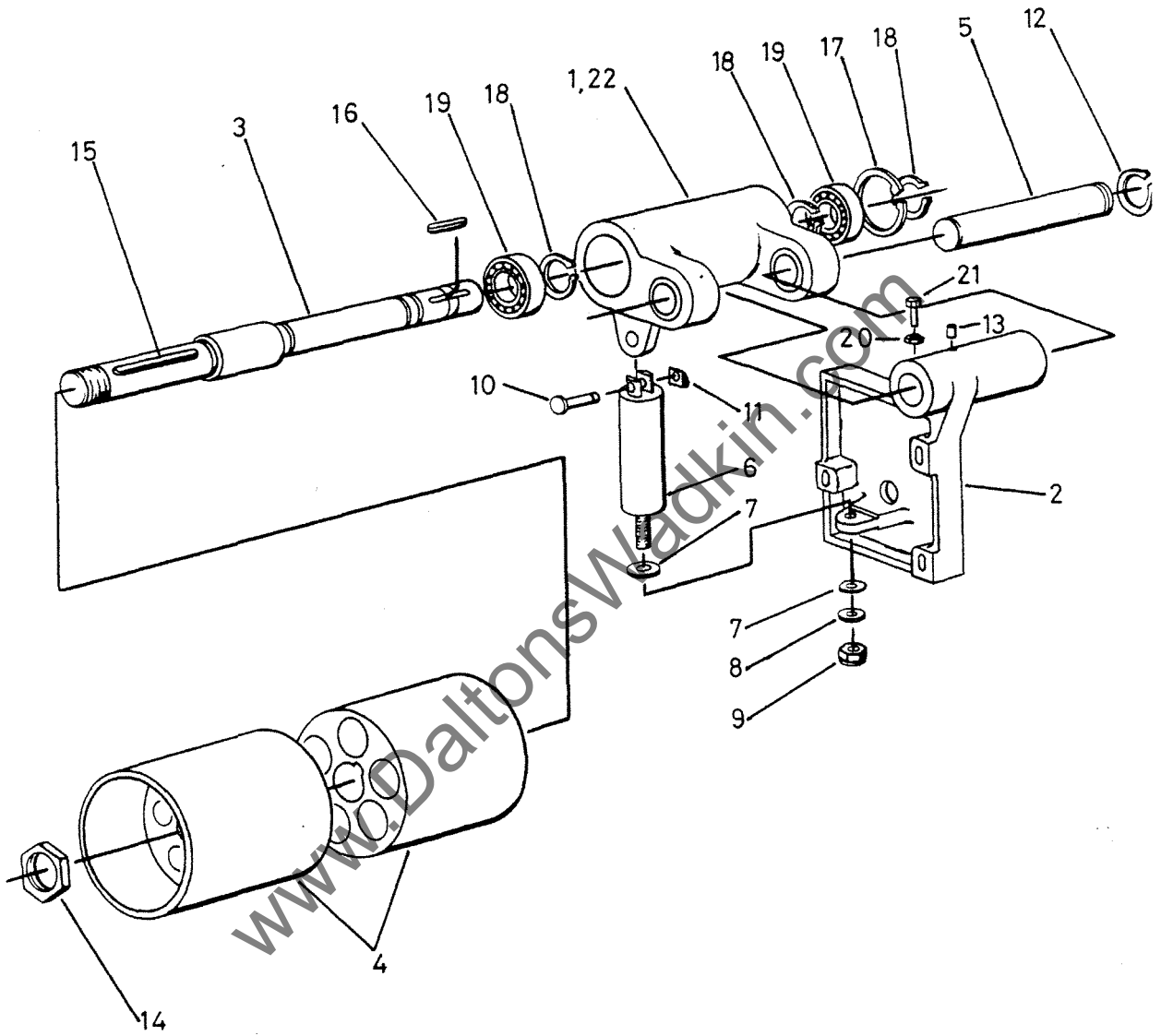
Ref.No	Part No	Description	Quantity
1	GA73	Eyebolt M12	1
2	GEM3326	C Washer	1
3	GA30	Spacer for Swing (single unit only)	1
4	GA1867	Pivot Shaft for Swing	1
*5	GA1706	Feedroll Shaft	1
6	GEM3333	Feedroll Flange	1
7	GA7462	Feedroll Swing	1
8	K0524200	Disc Spring 50 x 25.4 x 1.5mm	2
9	K0531577	Oilite Bush 30 x 25 x 25 long	2
10	K0601126	Ball Bearing	2
11	K3009140	External Circlip 30mm	3
12	K3009279	Internal Circlip 55mm	1
*13	GEM3331	Hexagon Head Screw M12 x 190 long	1
14	K0523136	Parallel Key 8 x 7 x 36mm	1
15	K0527111	Hexagon Locknut M12	1
16	XJB176	Sawtooth Feedroll 10mm wide	1
	XJB175	Sawtooth Feedroll 20mm wide	2
17	K3061911	Single Acting Cylinder	1
18	***	Pivot Pin } supplied with	1
19	***	Retaining Clip } cylinder	1
20	GEMB24	Polyurethane Feedroll 20mm wide	2
*21	K3033114	Heli-Coil Insert M12	1
*	GA8967	Feedroll Shaft Assembly	1



FLANGE MOUNTED FEEDROLL SWING UNIT

Intermediate & Outfeed Bedroll Assembly

Ref.No	Part No	Description	Quantity
1	GA6540	Swing for Bedroll	1
2	GA6539	Bracket for Mounting Swing	1
*3	GA7782	Shaft for Bedroll	1
*4	GA5213	Bedroll (Inner)	1
	GA5214	Bedroll (Outer)	1
5	GA6589	Pivot Shaft for Swing	1
6	K3061911	Single Acting Cylinder	1
7	***	Rubber Washer }	2
8	***	Steel Washer } supplied	1
9	***	Hexagon Nut } with	1
10	***	Pivot Pin } cylinder	1
11	***	Retaining Clip }	1
12	K3010168	E Retainer 25mm	1
13	K0526136	Hexagon Socket Screw M10 x 10 long	1
*14	K0527208	Notch Nut M35	1
*15	K0523161	Parallel Key 10 x 8 x 50 long	1
16	K0523136	Parallel Key 8 x 7 x 36 long	1
17	K3009279	Internal Circlip 55mm	1
18	K3009140	External Circlip 30mm	3
19	K0601126	Ball Bearing	2
20	K0527110	Hexagon Locknut M10	1
21	K0525533	Hexagon Head Screw M10 x 40 long	1
22	K0531577	Oilite Bush 30 x 25 x 25 long	2
*	GA7781	Bedroll Shaft Assembly	1

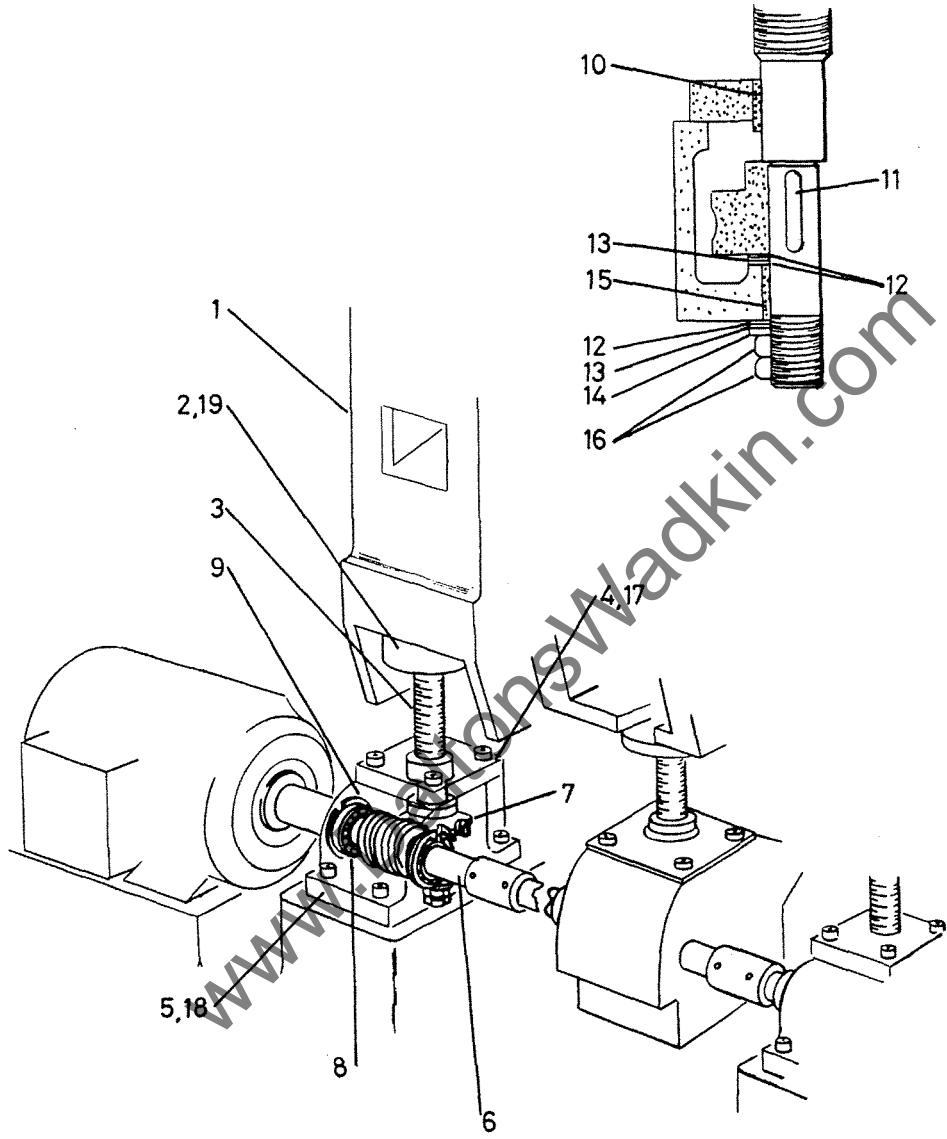


INTERMEDIATE & OUTFEED BEDROLL ASSEMBLY

Beam Power Rise and Fall

Ref.No	Part No	Description	Quantity	
			HT5	HT6
1	GA3491	Slide for Beam Rise and Fall	2	2
2	GA4423	Nut for Beam Rise and Fall	2	2
3	GA1901	Screw for Beam Rise and Fall	2	2
4	GA289	Top Cover for Wormgear Housing	2	2
5	GA7165	Wormgear Housing	2	2
6	GA6753	Worm	2	2
	K0523111	Parallel Key 6 x 6 x 20mm	4	4
7	GA302	Wormwheel	2	2
8	K0601200	Ball Bearing	4	4
9	K3009174	Internal circlip 47mm	4	4
10	K0531565	Oilite Bush 25 x 30 x 20 long	2	2
11	K0523127	Parallel Key 6 x 6 x 32mm	2	2
12	K0610252	Thrust Washer	6	6
13	K0610212	Thrust Bearing	4	4
14	K0610320	Shaft Washer	2	2
15	K0531564	Oilite Bush 20 x 25 x 20 long	2	2
16	K3053222	Hexagon Locknut M20 x 1.5P	4	4
17	K0525504	Hexagon Head Screw M6 x 25 long	8	8
18	K0525189	Hex.Socket Caphead Screw M8 x 30 long	8	8
19	K0525195	Hex.Socket Caphead Screw M8 x 60 long	8	8

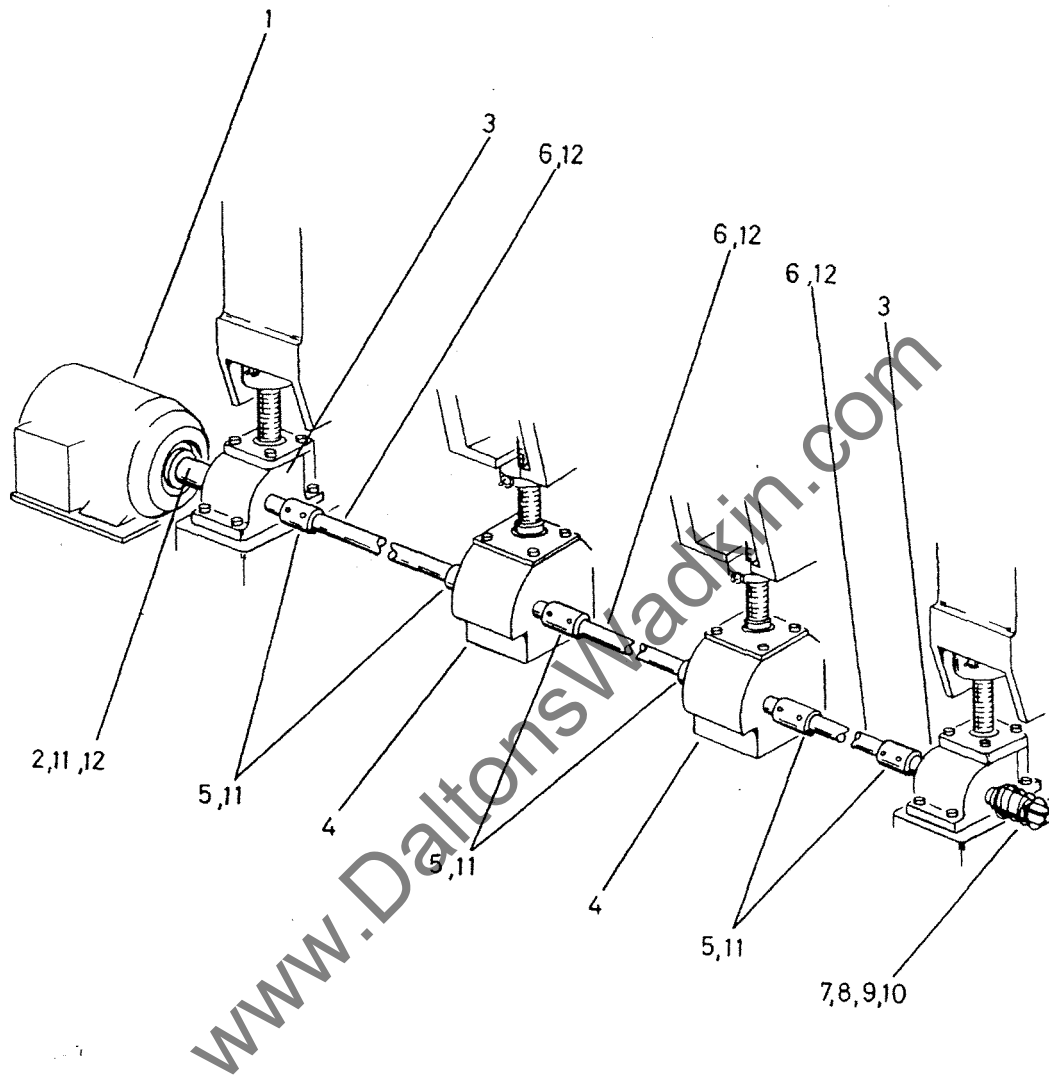
BEARING ARRANGEMENT:- RISE AND FALL LEADSCREW



BEAM POWER RISE AND FALL

Drive Shafts for Beam Rise and Fall

Ref.No	Part No	Description	Quantity	
			HT5	HT6
1	K1304611	Drive Motor (50HZ) D90L 1.1kw Foot Mtd.	1	1
	K1304612A	Drive Motor (60HZ) D90L 1.1kw Foot Mtd.	1	1
	GA7685	Drive Motor Mounting Bracket	1	1
2	GA5885	Collar (Motor to 1st Gear Housing)	1	1
	K0523112	Parallel Key 8 x 7 x 20mm	2	2
3	GA2B790	Beam Rise and Fall Gearbox	2	2
4	XDG011	Top Head Rise and Fall Gearbox	1	2
5	GA271	Collar for Drive Shaft	4	6
6	GA2706	Drive Shaft 320 long	1	1
	GA3445	Drive Shaft 1115 long	1	1
	GA4043	Drive Shaft 650 long		1
7	GA563	Square End Adaptor	1	1
8	GA8714	Compression Spring	1	1
9	K0520505	Taper Pin	1	1
10	K3009140	External Circlip 30mm	1	1
11	K0526113	Hex.Socket Screw M6 x 8 long	8	12
12	K0523111	Parallel Key 6 x 6 x 20mm	8	12



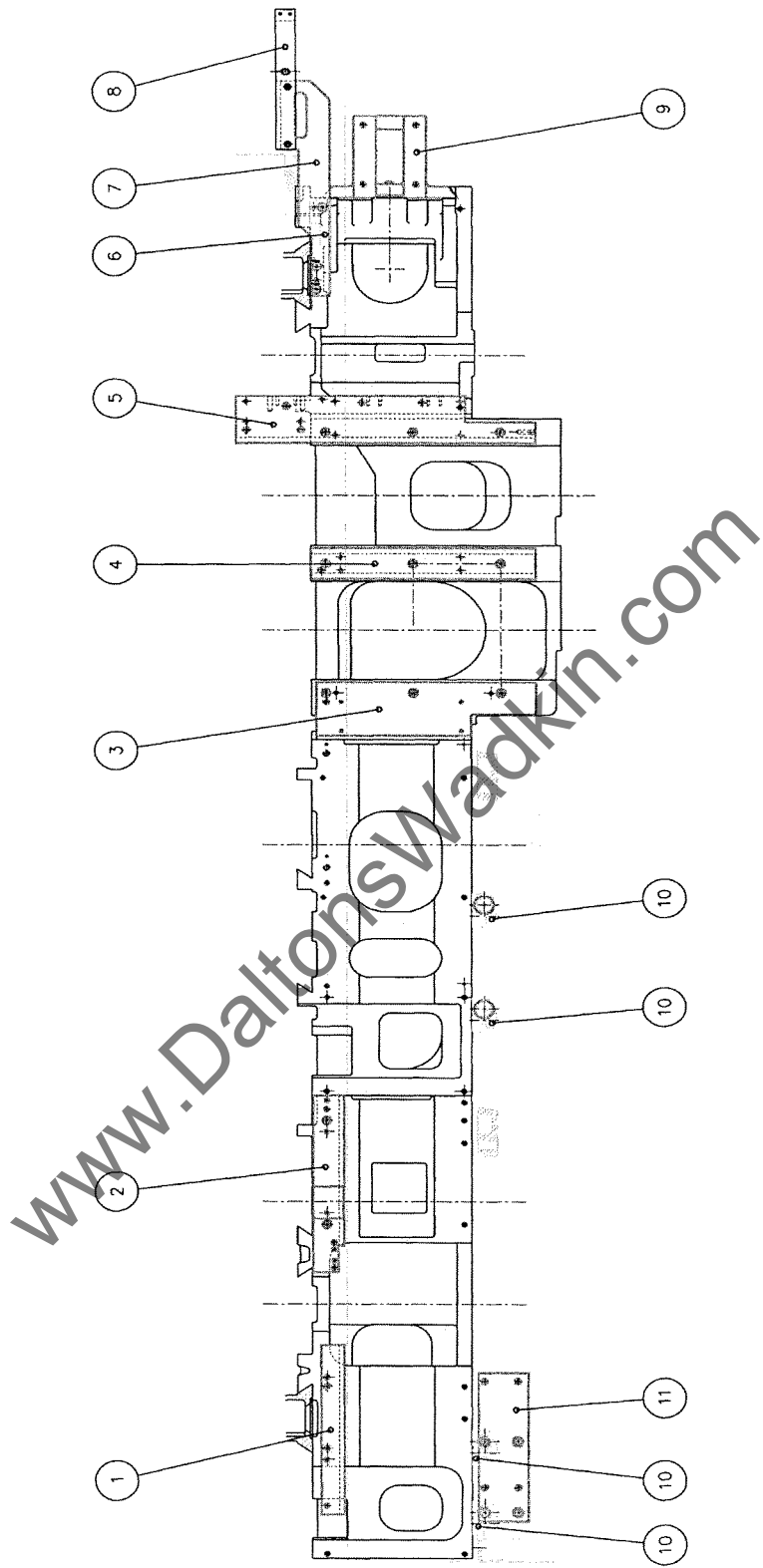
DRIVE SHAFTS FOR BEAM RISE AND FALL

SECTION 8 : BEDPLATES & FENCES

www.DaltonsWadkin.com

Bedplate and Fence Supports

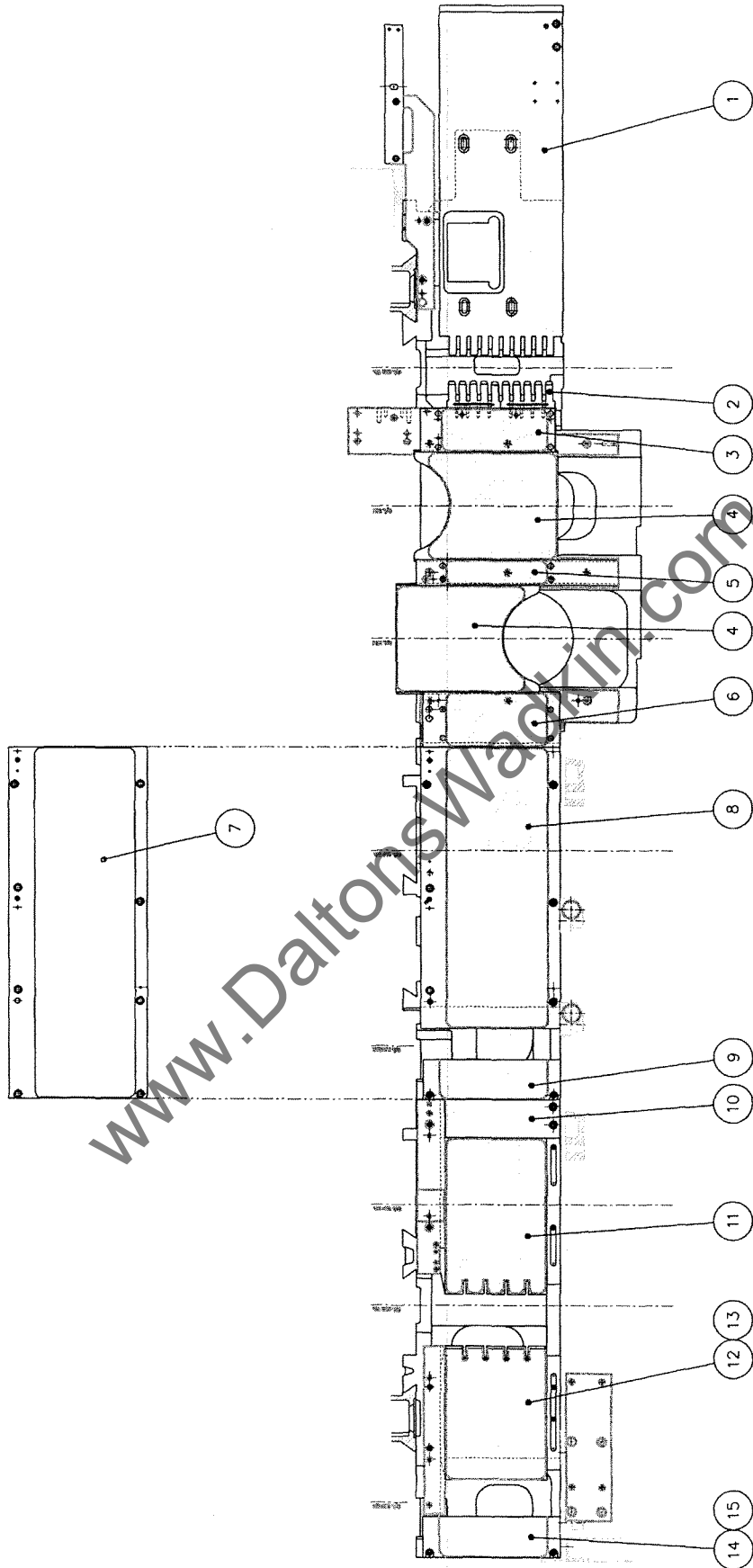
Ref.No	Part No	Description	Quantity
1	GA17146	Fence Support (Outfeed)	1
	K0525535	Hexagon Head Screw M10 x 50 long	1
	K0527110	Hexagon Locknut M10	1
2	GA6701	Fence Support Strip	1
	K0525211	Hex.Socket Caphead Screw M10 x 35 long	2
	K0520538	Tension Pin 8 dia.x 40 long	2
3	GA6551	Retaining Plate after Side Heads	1
	K0525209	Hex.Socket Caphead Screw M10 x 25 long	4
	K0520533	Tension Pin 8 dia.x 24 long	2
4	GA6545	Retaining Strip between Side Heads	1
	K0525208	Hex.Socket Caphead Screw M10 x 20 long	3
5	GA8083	Retaining Plate before Fence Side Head	1
	K0525212	Hex.Socket Caphead Screw M10 x 40 long	3
6	GA21050	Packer for Infeed Fence Bar	1
7	GA20943	Mounting Plate for Infeed Fence	1
	K0525213	Hex.Socket Caphead Screw M10 x 45 long	3
8	GA20944	Mounting Bar for Infeed Fence	1
	K0525190	Hex Socket Caphead Screw M8 x 35 long	2
	K0525124	Hex.Socket Caphead Screw M4 x 20 long	1
	K0527115	Hexagon Nut M4	1
	K0525460	Hex.Socket Button Head Screw M6 x 10 long	2
	K0528102	Washer 6mm	2
9	GA20835	Vertical Slide for Infeed Table - Delta	1
	GA6195	Vertical Slide for Infeed Table – Delta Plus	1
10	GA7730	Support Bracket	4
	GA7704	Key for Support Bracket	4
	K0525209	Hex.Socket Caphead Screw M10 x 25 long	8
	K0525536	Hexagon Head Screw M10 x 55 long	4
	K0528104	Washer 10mm	4
	K3029903	Adj.Handlever M10	4
	GA61	Support Post	4
	GA252	Clamping Washer	4
	K0525543	Hexagon Head Screw M12 x 25 long	4
11	GA20945	Adaptor Plate for Side Guide	1
	K0525229	Hex.Socket Caphead Screw M12 x 20 long	4



BEDPLATE AND FENCE SUPPORTS

Bedplates

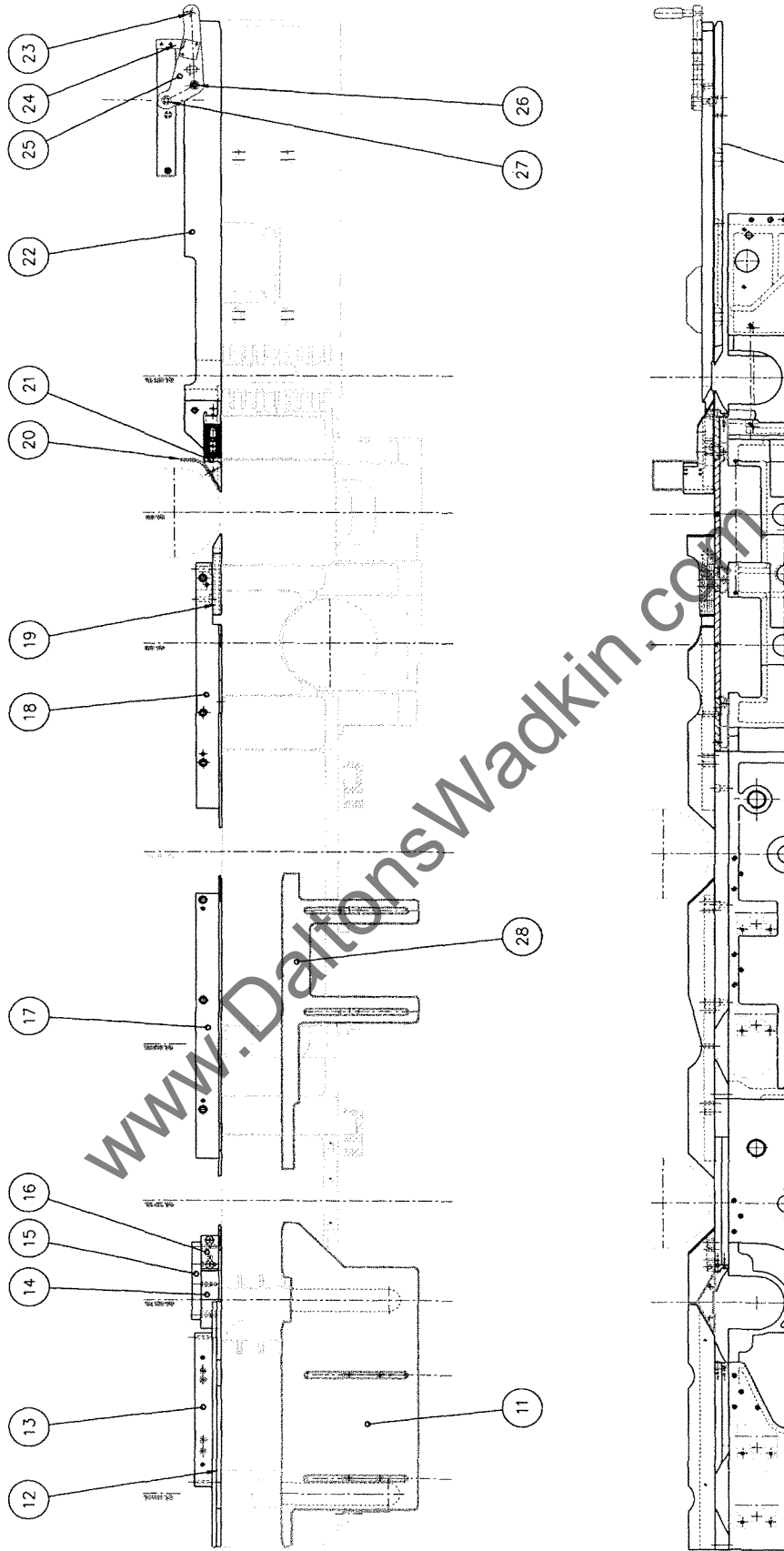
Ref.No	Part No	Description	Quantity
1	GA16623	Infeed Bedplate	1
	K0525208	Hex.Socket Caphead Screw M10 x 20 long	4
	K0528104	Washer 10mm	4
	GA3260	Infeed Table Infill Plate	1
	GA2620	C/Sink Head Screw for Infill Plate	1
2	GA4261	Nose for Bedplate (Hard)	2
	K0520481	Tension Pin 4 dia.x 16 long	4
	K0525165	Hex.Socket Caphead Screw M6 x 16 long	4
	K0525166	Hex.Socket Caphead Screw M6 x 20 long	4
3	GA7998	Bedplate before Fence Side Head	1
	K0520481	Tension Pin 4 dia.x 16 long	2
	K0525166	Hex.Socket Caphead Screw M6 x 20 long	4
4	GA7281	Bedplate for Side Heads	2
5	GA7968	Bedplate between Side Heads	1
	K0525164	Hex.Socket Caphead Screw M6 x 12 long	4
6	GA7969	Bedplate after Near Side Head	1
	K0520481	Tension Pin 4 dia.x 16 long	2
	K0525164	Hex.Socket Caphead Screw M6 x 12 long	4
7	GA21001	Bedplate under 1st Top Head - Model 6/42 only	1
	K0525211	Hex.Socket Caphead Screw M10 x 35 long	8
	K0520538	Tension Pin 8 dia.x 40 long	4
8	GA20926	Bedplate under 1st Top Head - Model 6/60 only	1
	K0525211	Hex.Socket Caphead Screw M10 x 35 long	6
	K0520538	Tension Pin 8 dia.x 40 long	4
9	GA3970	Bedplate after Intermediate Bedroll - Model 6/60 only	1
	K0525211	Hex.Socket Caphead Screw M10 x 35 long	2
10	GA7037	Permalin Bedplate before Top Head	1
	K0525211	Hex.Socket Caphead Screw M10 x 35 long	2
11	GA21058	Bedplate before 2nd Bottom Head	1
	K0525211	Hex.Socket Caphead Screw M10 x 35 long	2
	K0528104	Washer 10mm	2
12	GA21057	Bedplate after 2nd Bottom Head	1
	K0525211	Hex.Socket Caphead Screw M10 x 35 long	2
	K0528104	Washer 10mm	2
13	GA6559	Shim (0.5mm) after 2nd Bottom Head	1
14	GA3970	Bedplate after Outfeed Bedroll	1
	K0525211	Hex.Socket Caphead Screw M10 x 35 long	2
15	GA6560	Shim (0.5mm) after Outfeed Bedroll	1



BEDPLATE CHART

Fences

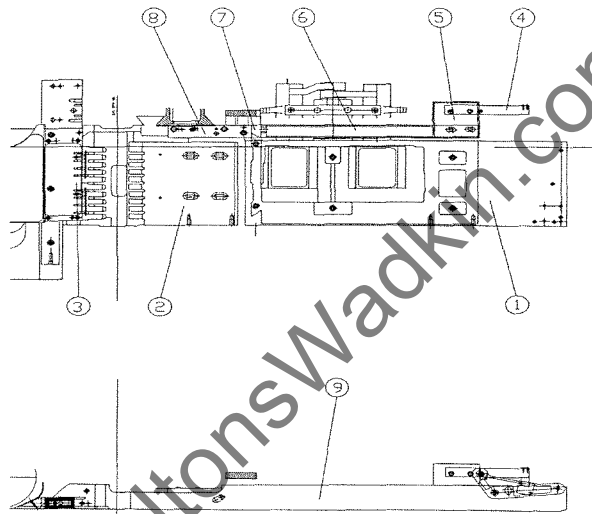
Ref.No	Part No	Description	Quantity
11	GA20946	Outfeed Side Guide	1
12	GA17141	Fence after 2nd Bottom Head	1
	K0525171	Hex.Socket Caphead Screw M6 x 45 long	2
13	GA17142	Mounting Bar for 2nd Bottom Head Fence	1
	K0525217	Hex.Socket Caphead Screw M10 x 65 long	2
	K0529163	Dowel Pin 10 dia. x 60 long	2
14	GA6284	Fence Infill Plate	1
15	GA6285	Mounting Strip for Fence Infill	1
	K0525210	Hex.Socket Caphead Screw M10 x 30 long	4
16	GA6595	Fence after Top Head	1
	K0525210	Hex.Socket Caphead Screw M10 x 30 long	2
17	GA6555	Fence between Top Heads	1
	K0525211	Hex.Socket Caphead Screw M10 x 35 long	3
	K0520538	Tension Pin 8 dia.x 40 long	2
	K0526145	Hexagon Socket Setscrew M10 x 50 long	1
	K0527103	Hexagon Nut M10	1
18	GA15875	Fence between Fence Side Head and Top Head	1
	K0525212	Hex.Socket Caphead Screw M10 x 40 long	3
	K0520538	Tension Pin 8 dia.x 40 long	2
19	GA436	Adjustable Fence After Fence Side Head	1
	K0525534	Hexagon Head Screw M10 x 45 long	2
	K0528104	Washer 10mm	2
	K3053218	Tee Nut M10	2
20	GA17923	Deflector for Infeed Fence	1
	K0525324	Hex.Socket C/Sink Head Screw M6 x 12 long	2
21	GA17919	Nose for Infeed Fence	1
	K0526295	Stud M12 x 45 long	1
	K0527104	Hexagon Nut M12	1
	FB12861	Serrated Washer 12mm	1
22	GA17629	Infeed Fence	1
	GA8048	Tenon for Fence Nose	1
	K0525165	Hex.Socket Caphead Screw M6 x 16 long	2
	K0529130	Dowel Pin 6 dia.x 20 long	2
23	K3029936	Revolving Handle M10	1
24	GA19254	Pointer for Infeed Fence	1
25	GA19250	Handlever for Infeed Fence	1
26	GA202	Pivot Pin for Infeed Fence	1
27	GA1759	Pivot Pin for Handlever	1



FENCE CHART

Pushfeed Bedplates & Fence

Ref.No	Part No	Description	Quantity
1	GA6184	Infeed Bedplate, M/c Nos.614 to 618	1
	GA21448	Infeed Bedplate, M/c Nos.619 onwards	1
	K0525209	Hex.Socket Caphead Screw M10 x 25 long	6
2	GA3965	Adj.Bedplate before 1st Bottom Head	1
	K0525207	Hex.Socket Caphead Screw M10 x 16 long	4
	K0528104	Washer 10mm	4
3	GA7998	Bedplate before Fence Side Head	1
	K0520481	Tension Pin 4 dia.x 16 long	2
	K0525166	Hex.Socket Caphead Screw M6 x 20 long	4
4	GA16144	Block for Mounting Infeed Fence Link	1
5	GA16147	Bracket for Fence Support	1
6	GA21401	Mounting Bar for Infeed Fence	1
7	GA21451	Adj.Slide Strip for Infeed Table	1
8	GA16146	Packer for Infeed Fence Bar	1
9	GA4723	Infeed Fence, M/c Nos.614 to 618	1
	GA21447	Infeed Fence, M/c Nos.619 onwards	1



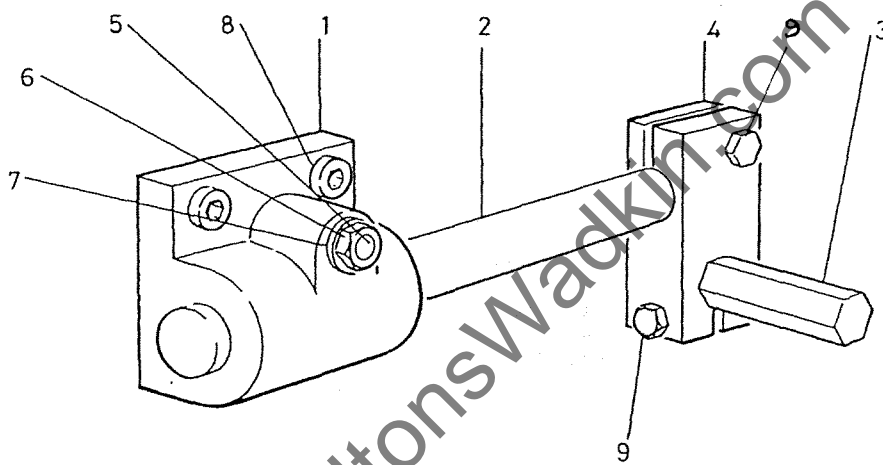
PUSHFEED BEDPLATES & FENCES

SECTION 9 : TOP & SIDE PRESSURES

www.DaltonsWadkin.com

Mounting for Top Roller Pressure

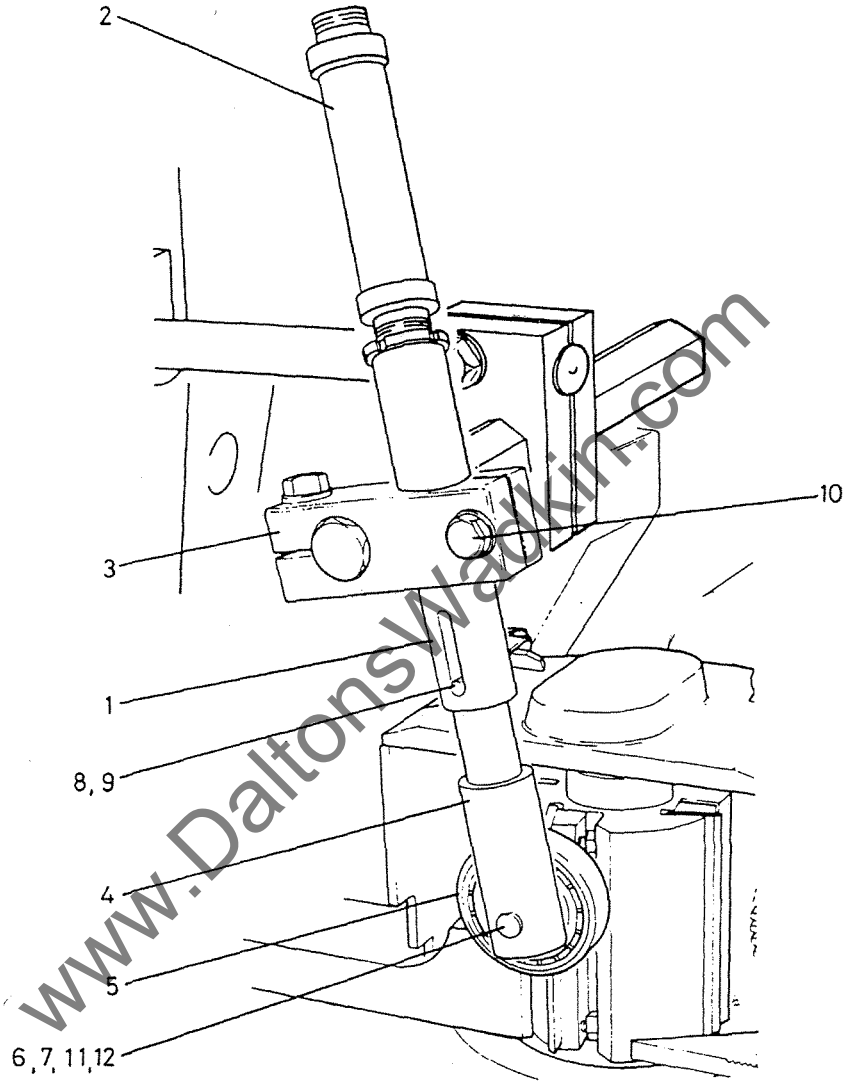
Ref.No	Part No	Description	Quantity
1	GA7730	Mounting Bracket	1
2	GA3	Horizontal Bar (Dia)	1
3	GA31	Horizontal Bar (Hex)	1
4	GA99	Split Clamp	1
5	K0525536	Hexagon Head Screw M10 x 55 long	1
6	K0527103	Hexagon Nut M10	1
7	K0528104	Washer 10mm	1
	K0528155	Spring Washer 10mm	1
8	K0525209	Hex.Socket Caphead Screw M10 x 25 long	2
9	K0525546	Hexagon Head Screw M12 x 40 long	2
	K0528105	Washer 12mm	2



MOUNTING FOR TOP ROLLER PRESSURE

Pneumatic Top Roller Pressure

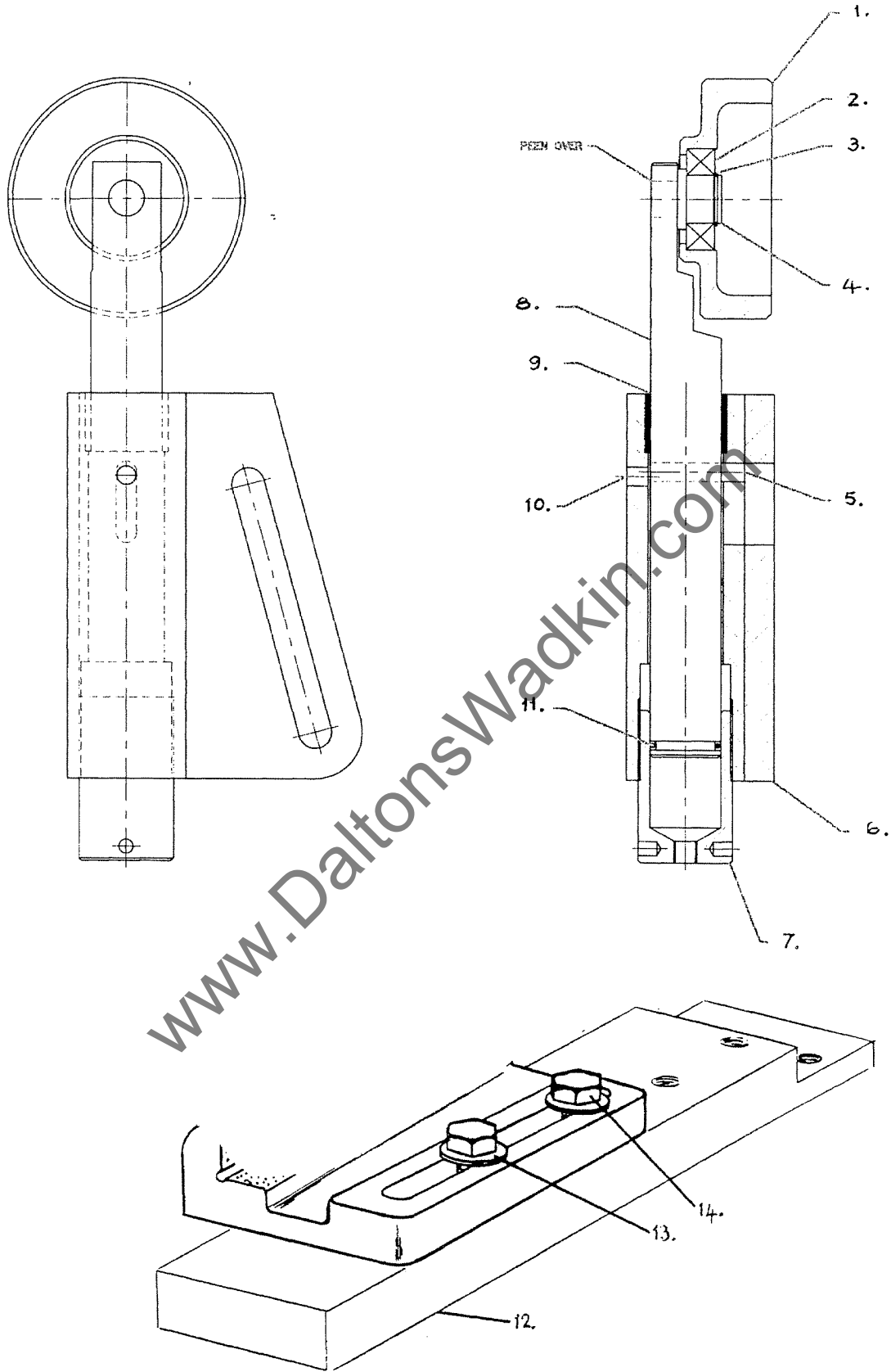
Ref.No	Part No	Description	Quantity
1	GA25	Barrel for Top Pressure	1
2	K3063748	Pneumatic Cylinder	1
	K3063153	Swivel Elbow 1/8"BSP/6mm	1
	GA3645	Piston Plunger	1
3	GA100	Split Clamp	1
4	GA316	Roller Arm for Top Pressure	1
5	GA372	Roller	1
6	GA390	Roller Pin	1
7	K3009273	Internal Circlip 42mm	1
8	K0520533	Tension Pin 8 dia.x 24 long	1
9	K0520549	Tension Pin 5 dia.x 24 long	1
10	K0525547	Hexagon Head Screw M12 x 45 long	2
	K0528105	Washer 12mm	2
11	K3009920	External Circlip 20mm	1
12	K0601121	Ball Bearing for Roller	1



PNEUMATIC TOP ROLLER PRESSURE

Infeed Pneumatic Side Roller Pressure

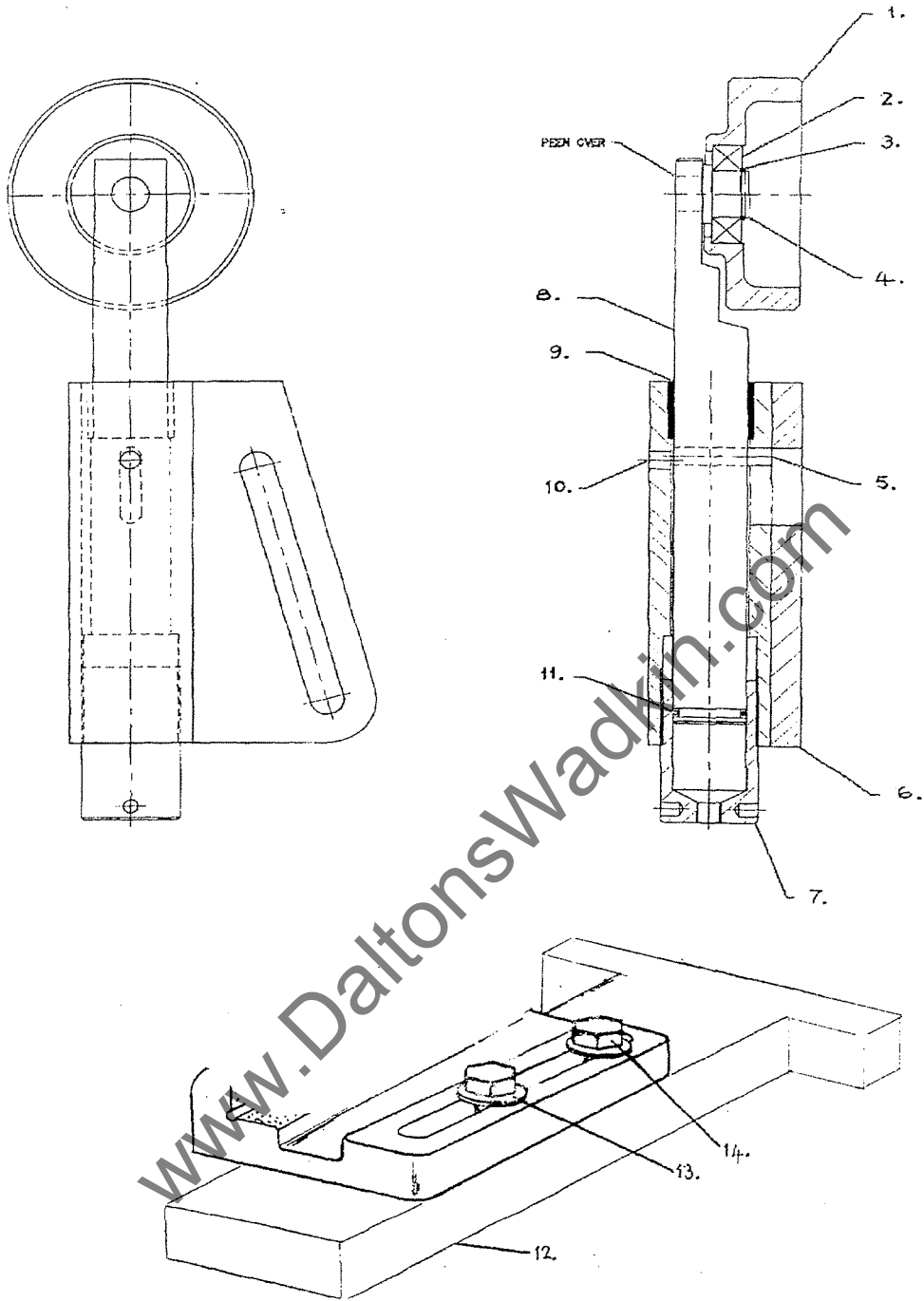
Ref.No	Part No	Description	Quantity
1	GA1864	Roller for Side Pressure	1
2	K0601121	Roller Bearing	1
3	K3009276	External Circlip 20mm	1
4	GA103	Roller Pin	1
5	K0520538	Tension Pin 8 dia.x 40 long	1
	K0520554	Tension Pin 5 dia.x 40 long	1
6	GA17008	Pressure Bracket	1
7	GA16183	Cylinder for Side Pressure	1
	K3063153	Swivel Elbow 1/8"BSP/6mm	1
8	GA17007	Piston for Side Roll Pressure	1
9	K0531578	Oilite Bush 30 x 35 x 25 long	1
10	K3062338	Plastic Plug	1
11	K3069288	O' Ring	1
12	GA1258	Mounting Plate for Side Roll Pressure	1
	K0525342	Hex.Socket C/Sink Head Screw M10 x 30 long	2
13	K0528105	Washer 12mm	2
14	K0525547	Hexagon Head Screw M12 x 45 long	2



INFEED PNEUMATIC SIDE ROLLER PRESSURE

Infeed Pneumatic Side Roller Pressure (Pushfeed)

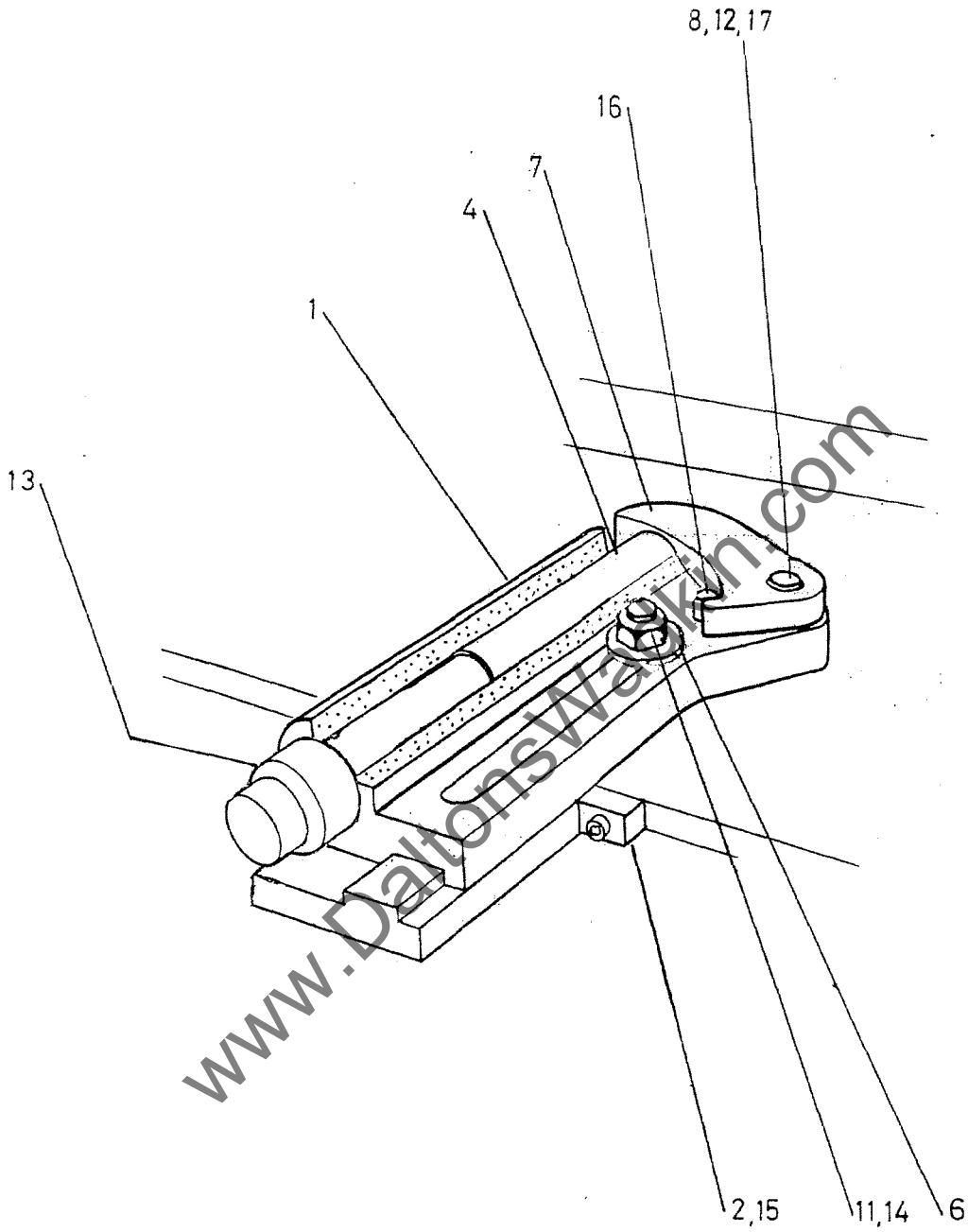
Ref.No	Part No	Description	Quantity
1	GA1864	Roller for Side Pressure	1
2	K0601121	Roller Bearing	1
3	K3009276	External Circlip 20mm	1
4	GA103	Roller Pin	1
5	K0520538	Tension Pin 8 dia.x 40 long	1
	K0520554	Tension Pin 5 dia.x 40 long	1
6	GA17008	Pressure Bracket	1
7	GA16183	Cylinder for Side Pressure	1
	K3063153	Swivel Elbow 1/8"BSP/6mm	1
8	GA17007	Piston for Side Roll Pressure	1
9	K0531578	Oilite Bush 30 x 35 x 25 long	1
10	K3062338	Plastic Plug	1
11	K3069288	O' Ring	1
12	GA2300	Mounting Plate for Side Roll Pressure	1
	K0525216	Hex.Socket Caphead Screw M10 x 60 long	2
13	K0528105	Washer 12mm	2
14	K0525547	Hexagon Head Screw M12 x 45 long	2



INFEEED PNEUMATIC SIDE ROLLER PRESSURE (PUSHFEED)

Pneumatic Side Skid Pressure after Pushfeed Rolls

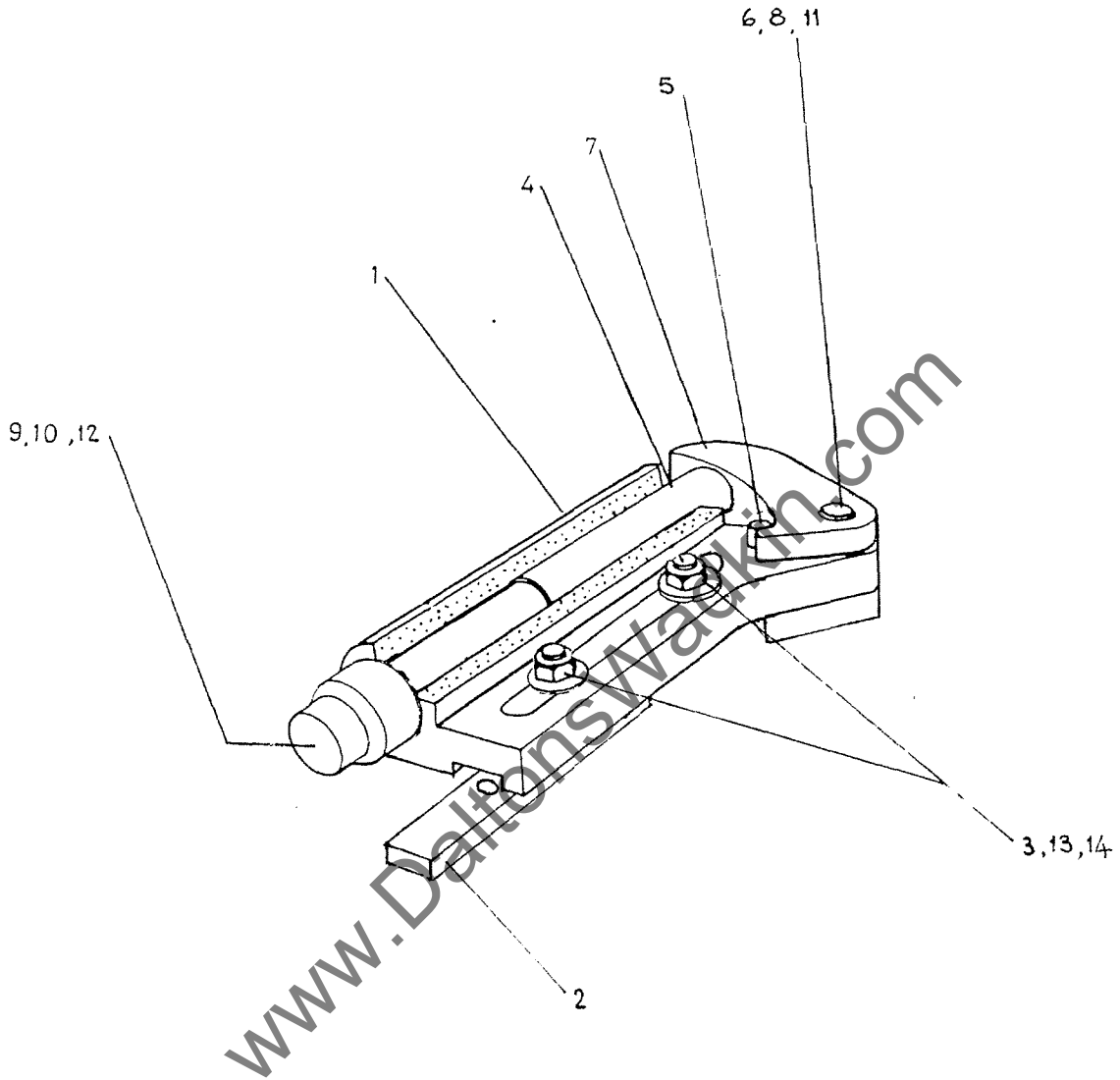
Ref.No	Part No	Description	Quantity
1	GA16185	Side Pressure Bracket	1
2	GA16181	Mounting Plate for Side Skid Pressure	1
3	NA		
4	GA16184	Piston for Side Pressure	1
5	NA		
6	K0528114	Large Dia.Washer 12mm	1
7	FB2591	Skid Link	1
8	FB2593	Pivot Pin	1
9	NA		
10	NA		
11	K0527104	Hexagon Nut M12	1
12	K0531540	Oilite Bush 20 x 25 x 15 long	1
13	GA16183	Cylinder for Pressure	1
14	K0526298	Stud M12 x 60 long	1
15	K0525216	Hex.Socket Caphead Screw M10 x 60 long	2
16	K0529171	Dowel Pin 12 dia.x 30 long	1
17	K0520507	Taper Pin	1



PNEUMATIC SKID SIDE PRESSURE AFTER PUSHFEED ROLLS

Pneumatic Side Skid Pressure Opposite FSH

Ref.No	Part No	Description	Quantity
1	GA16185	Side Pressure Bracket	1
2	GA17391	Tenon for Side Pressure	1
3	K0526298	Stud M12 x 60 long	2
4	GA16184	Piston for Side Pressure	1
5	K0529171	Dowel Pin 12 dia.x 30 long	1
6	GA6420	Pivot Pin	1
7	GA17402	Shoe for NSH Skid Pressure	1
8	K0531540	Oilite Bush 20 x 25 x 15 long	1
9	GA16183	Cylinder for Pressure	1
10	K3069288	O' Ring	1
11	K0520507	Taper Pin	1
12	K3063153	Swivel Elbow 1/8"BSP/6mm	1
13	K0527104	Hexagon Nut M12	2
14	K0528114	Large Dia.Washer 12mm	2



PNEUMATIC SIDE SKID PRESSURE OPPOSITE FSH

SECTION 10 : STRAIGHT & PROFILE MANUAL JOINTERS

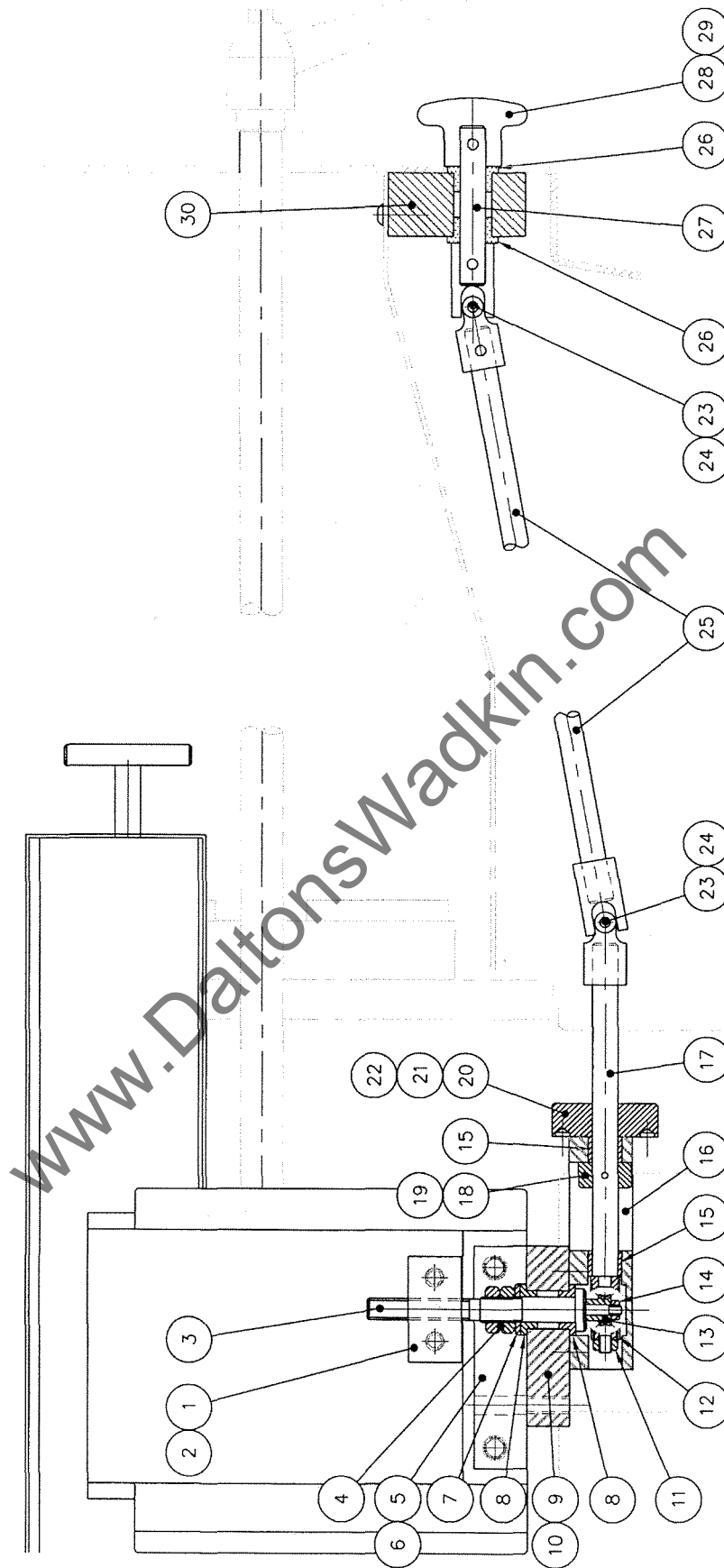
Each machine is supplied with the following items for use with the jointers.

K3030502	Winding Handle 8mm square hole
NS36120	Profile Jointing Stone 200 x 60 x 15
FBJ86G	Straight Jointing Stone 76 x 19 x 6

Other Jointing Stones of differing sizes and grit grades are available. For further details contact Wadkin UltraCare Tooling section.

1st Bottom Head Jointer Feed Control

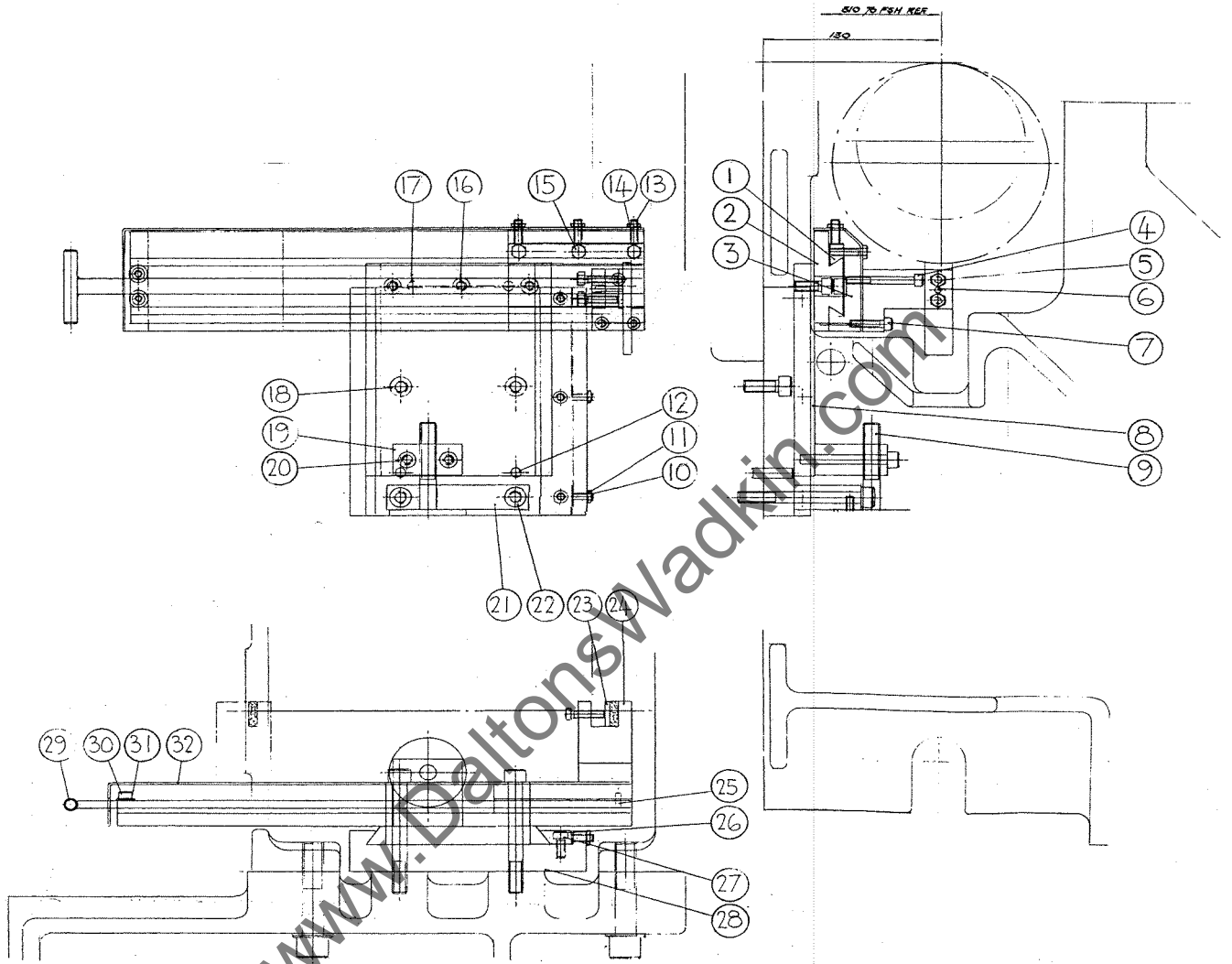
Ref.No	Part No	Description	Quantity
1	GA19238	Nut for 1st Bottom Head Jointer	1
2	K0525196	Hex.Socket Caphead Screw M8 x 65 long	2
3	GA19212	Screw for 1st Bottom Head Jointer	1
4	K0527111	Hexagon Locknut M12	2
5	GA19207	Block for Jointer Screw Mounting	1
6	K0525222	Hex.Socket Caphead Screw M10 x 90 long	2
7	K0528105	Washer 12mm	1
8	K0531302	Flanged Oilite Bush 12 x 18 x 8 long	2
9	GA19208	Block for Jointer Screw	1
10	K0525520	Hexagon Head Screw M8 x 40 long	4
11	K0527101	Hexagon Nut M6	1
12	K3025279	Worm for Jointer Feed	1
13	K3025280	Wormwheel for Jointer Feed	1
14	K0527120	Hexagon Nut M5	1
15	K0531526	Oilite Bush 12 x 16 x 12 long	2
16	GA19209	Block for Jointer Feed Worm & Wormwheel	1
17	GA19210	Control Shaft	1
18	K0528207	Loose Collar 12mm bore	1
	K0520484	Tension Pin 4 dia.x 24 long	1
19	K0610315	Thrust Washer	1
20	GA19211	Collar for Indexing Jointer	1
21	K5173102	Spring for Indexing	1
22	K3005313	Steel Ball 8 dia.	1
23	T3009772	Universal Joint	2
24	K0520490	Tension Pin 3 dia.x 24 long	4
25	GA20873	Extension Shaft for Jointer Feed	1
26	K0531320	Flanged Oilite Bush 12 x 18 x 12 long	2
27	GA20872	Shaft for 1st Bottom Head Jointer Feed	1
28	K5127146	Handwheel 12mm bore	1
29	K0520490	Tension Pin 3 dia.x 24 long	1
30	GA20869	Bearing Block for 1st Bottom Head Controls	1



1st BOTTOM HEAD JOINTER FEED CONTROL

1st Bottom Head Jointer

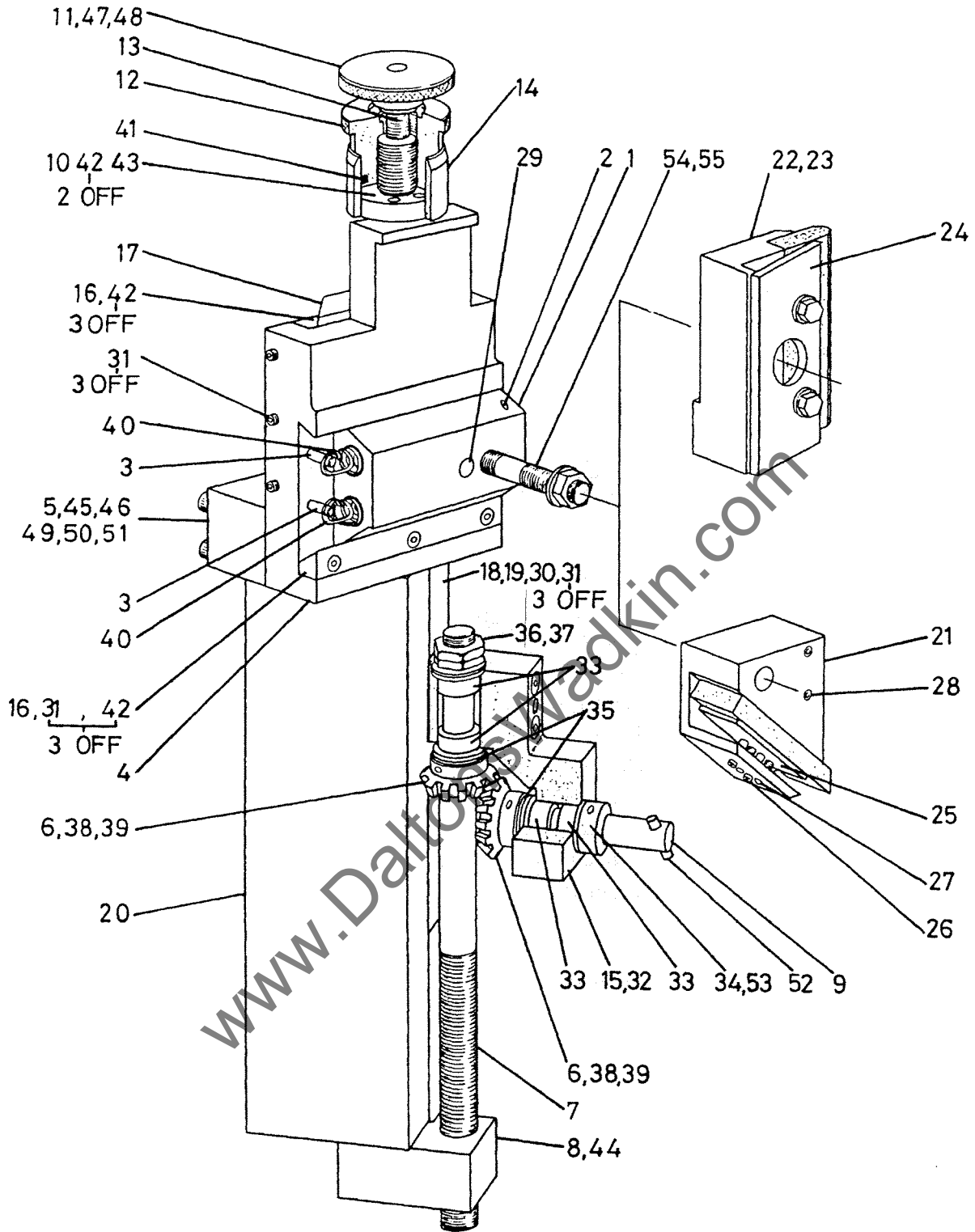
Ref.No	Part No	Description	Quantity
1	GA8803	Wear Strip	1
2	GA8819	Slide for 1st Bottom Head Jointer Traverse	1
3	GA8813	Saddle for 1st Bottom Head Jointer	1
4	K0525172	Hex.Socket Caphead Screw M6 x 50 long	1
5	K0525504	Hexagon Head Screw M6 x 25 long	2
6	K0520482	Tension Pin 4 dia.x 20 long	1
7	K0525167	Hex.Socket Caphead Screw M6 x 25 long	2
8	GA8818	Slide for 1st Bottom Head Jointer Feed	1
9	GA19212	Screw for 1st Bottom Head Jointer	1
10	K0526116	Hexagon Socket Screw M6 x 16 long	3
11	K0527108	Hexagon Locknut M6	3
12	K0529145	Dowel Pin 8 dia.x 30 long	2
13	K0526117	Hexagon Socket Screw M6 x 20 long	3
14	K0527108	Hexagon Locknut M6	3
15	K0525504	Hexagon Head Screw M6 x 25 long	3
16	K0525187	Hex.Socket Caphead Screw M8 x 20 long	3
17	K0529144	Dowel Pin 8 dia x 25 long	2
18	K0525209	Hex.Socket Caphead Screw M10 x	2
19	GA19238	Nut for 1st Bottom Head Jointer	1
20	K0525196	Hex.Socket Caphead Screw M8 x 65 long	2
21	GA19207	Block for Jointer Screw Mounting	1
22	K0525222	Hex.Socket Caphead Screw M10 x 90 long	2
23	GA8802	Clamp Plate for Jointer Stone	1
24	GA8816	Stone Holder	1
25	K0520480	Tension Pin 4 dia.x 12 long	1
26	GA8807	Wear Strip	1
27	K0525165	Hex.Socket Caphead Screw M6 x 16 long	3
28	GA8817	Slideway for 1st Bottom Head Jointer	1
29	GA8815	Jointer Control Bar	1
30	K0525163	Hex.Socket Caphead Screw M6 x 10 long	2
31	K0528111	Washer 6mm	2
32	GA8814	Cover for 1st Bottom Head Jointer	1



1st BOTTOM HEAD JOINTER

Fence Side Head Manual Jointer

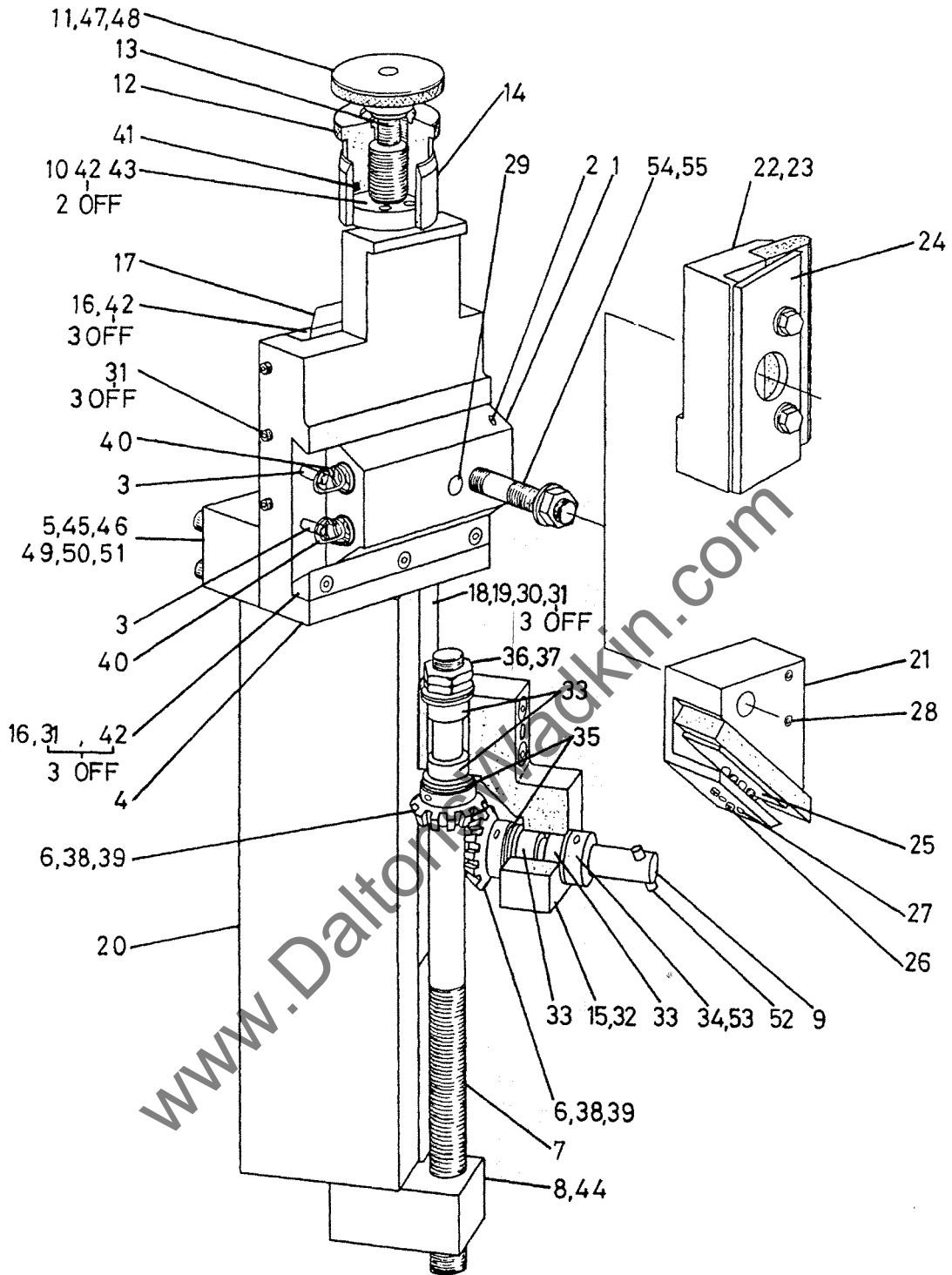
Ref.No	Part No	Description	Quantity
1	GA4215	Slide for Fence Side Head Jointer Feed	1
2	GA8317	Spring Anchor Post	1
3	GA8712	Post for Jointer Spring	2
4	GA8741	Slideway for Jointer	1
	GA8417	Rib for Slideway	1
	K0525501	Hexagon Head Screw M6 x 12 long	4
5	GA21198	Foot for Jointer Slideway	1
6	GA22	Straight Mitre Bevel Gear	2
7	GA8420	Rise & Fall Screw for Fence Side Head Jointer	1
8	GA8840	Rise & Fall Nut for fence Side Head Jointer	1
9	GA16115	Shaft for Mitre Bevel Gear	1
10	GA7935	Nut for Jointer Feed	1
11	GA8405	Knob for Jointer	1
12	GA18500	Dial for Jointer Indexing	1
13	GA8404	Screw for Jointer Feed	1
14	GA18499	Sleeve for Jointer Indexing	1
15	GA8421	Bracket for Bevel Gears	1
	GA8462	Cover for Bevel Gears	1
	K0525501	Hexagon Head Screw M6 x 12 long	2
16	GA8403	Wear Strip for Fence Side Head Jointer	2
17	GA8416	Slide for Feed Control	1
18	GA8422	Vertical Wear Strip	1
19	GA8427	Vertical Slideway	1
20	GA8861	Vertical Slide	1
21	GA16471	Holder for Straight Jointing Stone	1
22	GA20171	Body for Profile Jointing Stone	1
23	GA7939	Washer for Stone Holder	1
24	GA20172	Clamp Plate for Profile Jointing Stone	1
25	GA7949	Clamp Plate for Straight Jointing Stone	1
26	K0520480	Tension Pin 4 dia.x 12 long	2
27	K0526114	Hexagon Socket Screw M6 x 10 long	2
28	K0520526	Tension Pin 6 dia.x 32 long	2
29	K0529157	Dowel Pin 10 dia.x 25 long	1
30	K0525166	Hex.Socket Caphead Screw M6 x 20 long	3
31	K0526115	Hex.Socket Screw M6 x 12 long	9



FENCE SIDE HEAD MANUAL JOINTER

Fence Side Head Manual Jointer

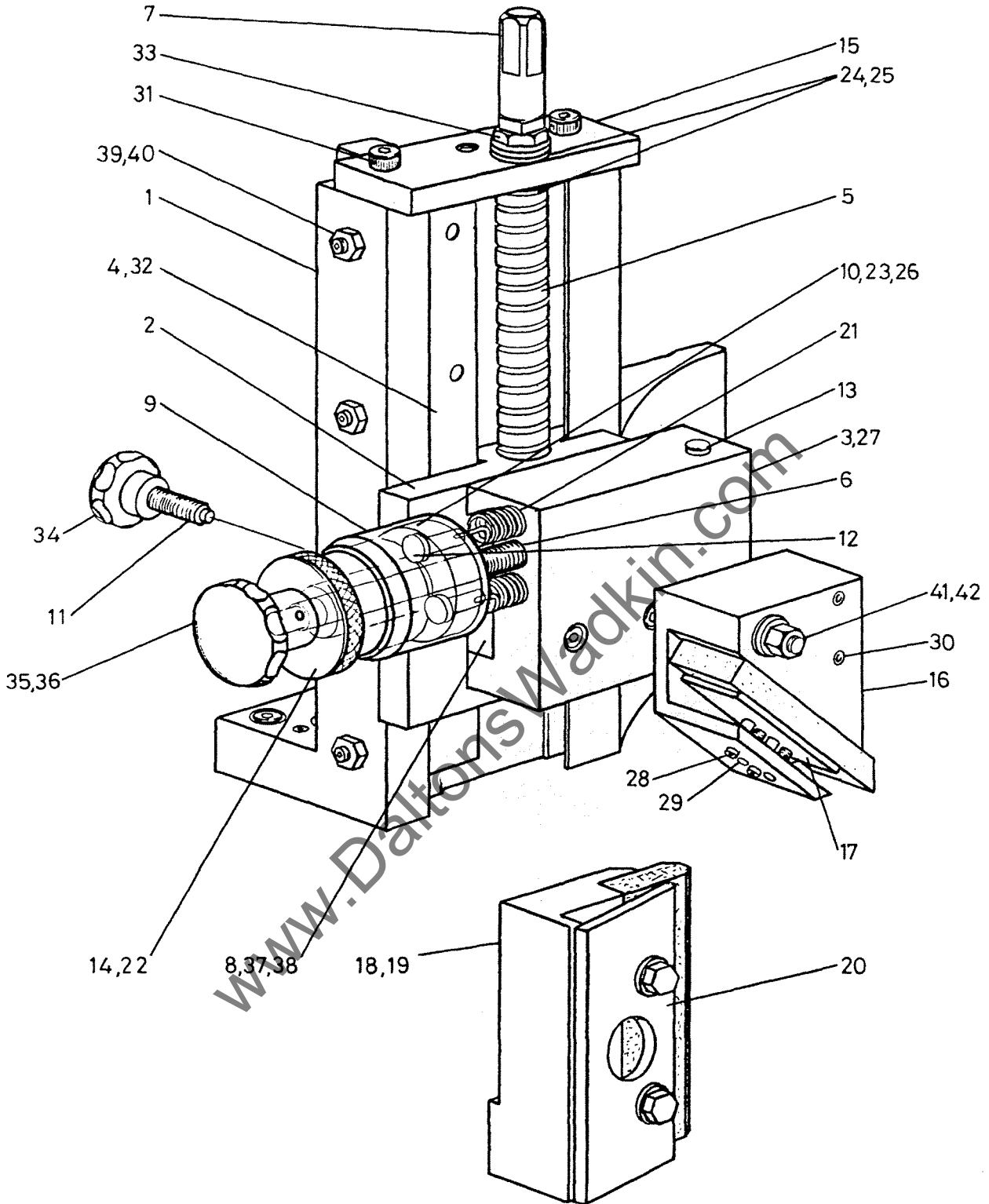
Ref.No	Part No	Description	Quantity
32	K0525196	Hex.Socket Caphead Screw M8 x 65 long	2
33	K0531321	Oilite Bush 16 x 22 x 12 long	4
34	K0528209	Loose Collar 16mm bore	1
35	K0610251	Thrust Washer	2
36	K0527112	Hexagon Locknut M16	2
37	K0528106	Washer 16mm	1
38	K0526112	Hex.Socket Screw M6 x 6 long	2
39	K0523110	Parallel Key 5 x 5 x 20mm	2
40	K3073992	Extension Spring	2
41	K3069280	O ring	1
42	K0525165	Hex.Socket Caphead Screw M6 x 16 long	8
43	K3033114	Helicoil Insert M12	1
44	K0525175	Hex.Socket Caphead Screw M6 x 65 long	1
45	K0525192	Hex.Socket Caphead Screw M8 x 45 long	3
46	K0520529	Tension Pin 6 dia.x 50 long	2
47	K0520504	Taper Pin	1
48	K0528104	Washer 10mm	1
49	K0525174	Hex.Socket Caphead Screw M6 x 60 long	4
50	K0528153	Spring Coil Washer 6mm	4
51	K0520526	Tension Pin 6 dia.x 32 long	2
52	K0520526	Tension Pin 6 dia.x 32 long	1
53	K0520505	Taper Pin	1
54	GA3613	Stud M12 x 75 long	1
55	K0527104	Hexagon Nut M12	1
	K0528105	Washer 12mm	1



FENCE SIDE HEAD MANUAL JOINTER

Near Side Head Manual Jointer

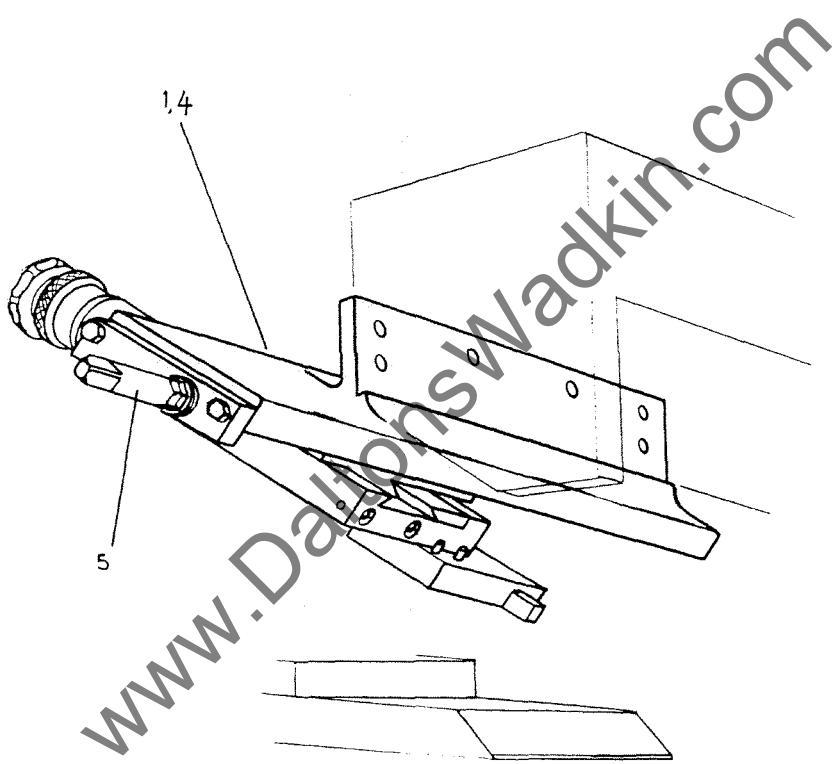
Ref.No	Part No	Description	Quantity
1	GA7856	Slide for Near Side Head Jointer	1
	K0525210	Hex.Socket Caphead Screw M10 x 30 long	4
	K0520538	Tension Pin 8 dia.x 40 long	2
2	GA7924	Intermediate Slide for Near Side Head Jointer	1
	GA4048	Packer for Slide	1
3	GA7927	Saddle for Near Side Head Jointer	1
4	GA7928	Wear Strip for Jointer Slide	1
5	GA8000	Rise & Fall Traverse Screw	1
6	GA7938	Screw for Jointer Feed	1
7	GA21066	Square End for Rise & Fall Traverse Screw	1
8	GA7941	Wear Strip for Jointer Saddle	1
9	GA18499	Sleeve for Jointer Indexing	1
10	GA7935	Nut for Jointer Feed	1
11	GA7950	Clamp Screw	1
12	GA8318	Spring Anchor Pin	2
13	GA8317	Spring Anchor Post	1
14	GA18500	Dial for Jointer Indexing	1
15	GA7942	Bearing Block for Jointer Screw	1
16	GA15720	Holder for Straight Jointing Stone	1
17	GA7949	Clamp Plate for Straight Jointing Stone	1
18	GA20171	Body for Profile Jointing Stone	1
19	GA7939	Washer for Stone Holder	1
20	GA20172	Clamp Plate for Profile Jointng Stone	1
21	K3073992	Extension Spring	2
22	K3069280	O Ring	1
23	K3033114	Helicoil Insert M12	1
24	K0531302	Flanged Oilite Bush 12 x 18 x 8 long	2
25	K0528104	Washer 10mm	2
26	K0525165	Hex.Socket Caphead Screw M6 x 16 long	2
27	K0525164	Hex.Socket Caphead Screw M6 x 12 long	3
28	K0520480	Tension Pin 4 dia.x 12 long	2
29	K0526114	Hexagon Socket Screw M6 x 10 long	2
30	k0520526	Tension Pin 6 dia.x 32 long	2
31	K0525189	Hex.Socket Caphead Screw M8 x 30 long	2
32	K0525517	Hexagon Head Screw M8 x 25 long	4
33	K0527111	Hexagon Locknut M12	1
34	K3053137	Thumbnut M8	1
	K0527109	Hexagon Locknut M8	1
35	K0530256	Handwheel 10mm bore	1
36	K0520504	Taper Pin	1
37	K0526118	Hex.Socket Screw M6 x 25 long	2
38	K0527108	Hexagon Locknut M6	2
39	K0526129	Hex.Socket Screw M8 x 25 long	4
40	K0527109	Hexagon Locknut M8	4
41	K0526298	Stud M12 x 60 long	1
42	K0527104	Hexagon Nut M12	1
	K0528105	Washer 12mm	1



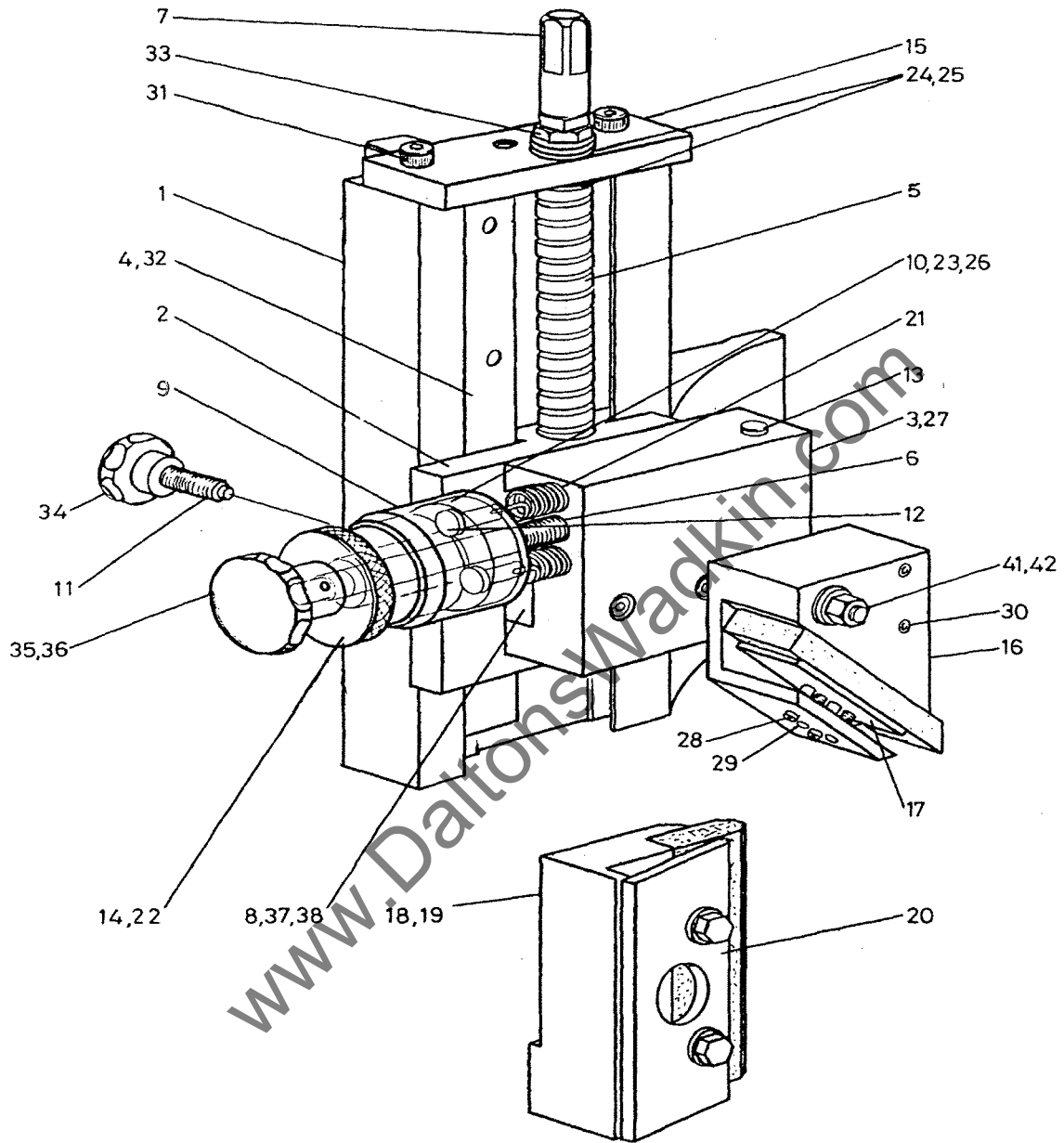
NEAR SIDE HEAD MANUAL JOINTER

Build of the Top Head Jointer is the same as the Near Side Head Jointer with the exception of the items listed below.

Ref.No.	Description	Quantity
1	Slide for Top Head Jointer	1
4	Wear Strip	1
5	Traverse Screw	1



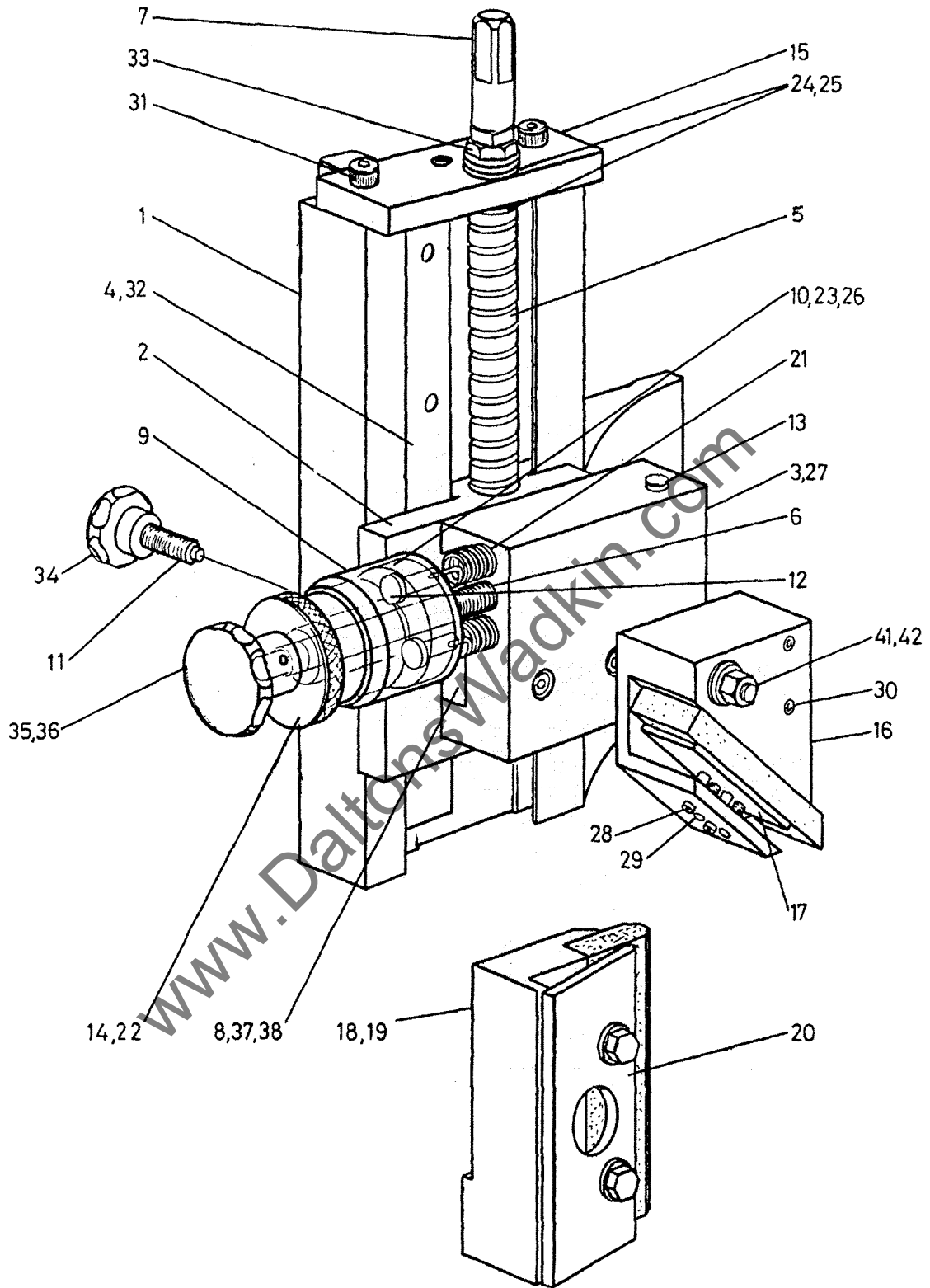
TOP HEAD MANUAL JOINTER



TOP HEAD MANUAL JOINTER

Top Head Manual Jointer

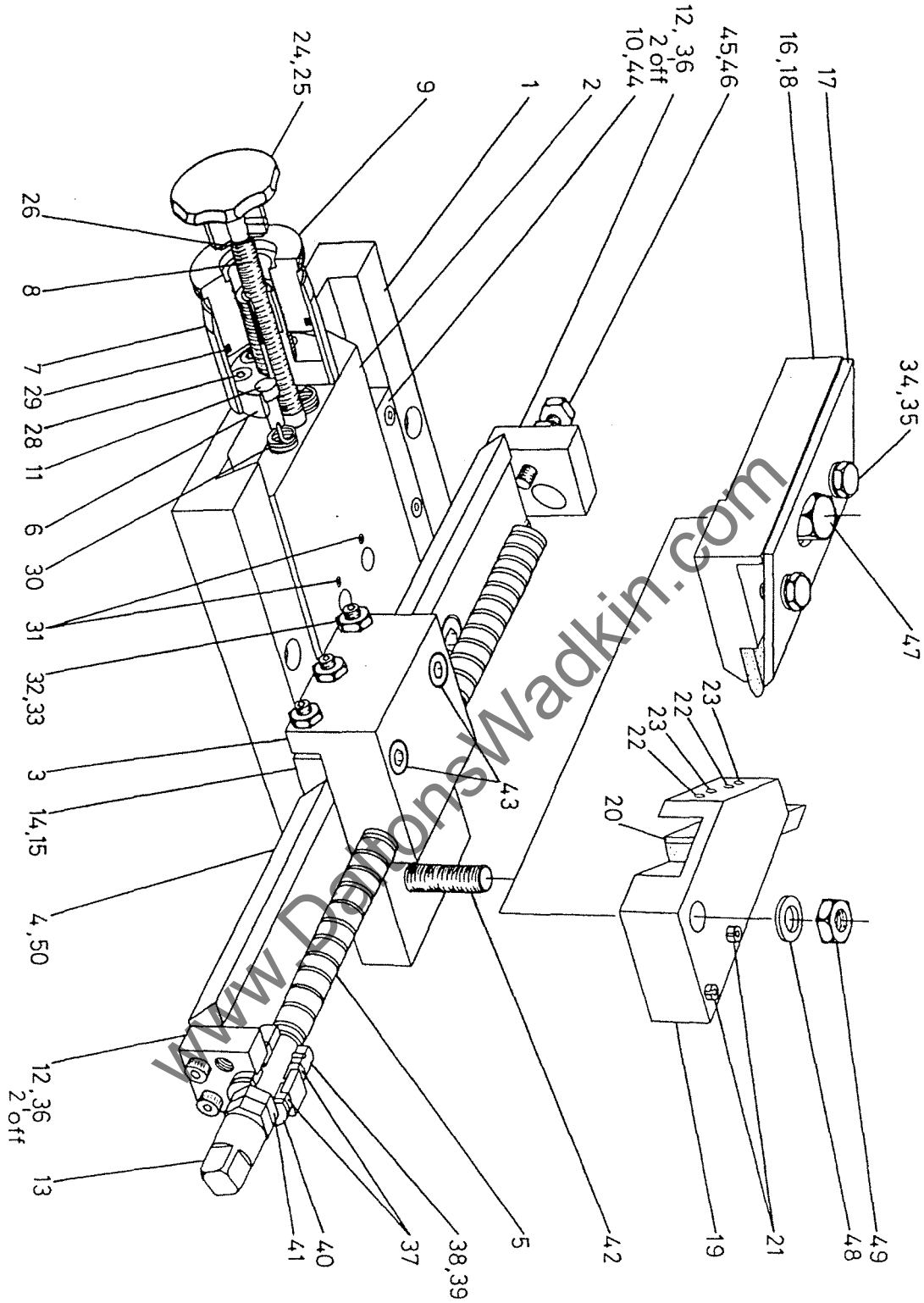
Ref.No	Part No	Description	Quantity
1	GA7966	Slide for Top Head Jointer	1
	K0525210	Hex.Socket Caphead Screw M10 x 30 long	4
	K0529147	Dowel Pin 8 dia.x 40 long	2
2	GA7924	Intermediate Slide for Near Side Head Jointer	1
	GA16476	Packer for Slide	1
3	GA7927	Saddle for Near Side Head Jointer	1
4	GA7967	Wear Strip for Jointer Slide	1
5	GA8581	Traverse Screw	1
6	GA7938	Screw for Jointer Feed	1
7	GA21066	Square End for Rise & Fall Traverse Screw	1
8	GA7941	Wear Strip for Jointer Saddle	1
9	GA18499	Sleeve for Jointer Indexing	1
10	GA7935	Nut for Jointer Feed	1
11	GA7950	Clamp Screw	1
12	GA8318	Spring Anchor Pin	2
13	GA8317	Spring Anchor Post	1
14	GA18500	Dial for Jointer Indexing	1
15	GA7942	Bearing Block for Jointer Screw	1
16	GA15720	Holder for Straight Jointing Stone	1
17	GA7949	Clamp Plate for Straight Jointing Stone	1
18	GA20171	Body for Profile Jointing Stone	1
19	GA7939	Washer for Stone Holder	1
20	GA20172	Clamp Plate for Profile Jointng Stone	1
21	K3073992	Extension Spring	2
22	K3069280	O Ring	1
23	K3033114	Helicoil Insert M12	1
24	K0531302	Flanged Oilite Bush 12 x 18 x 8 long	2
25	K0528104	Washer 10mm	2
26	K0525165	Hex.Socket Caphead Screw M6 x 16 long	2
27	K0525164	Hex.Socket Caphead Screw M6 x 12 long	3
28	K0520480	Tension Pin 4 dia.x 12 long	2
29	K0526114	Hexagon Socket Screw M6 x 10 long	2
30	k0520526	Tension Pin 6 dia.x 32 long	2
31	K0525189	Hex.Socket Caphead Screw M8 x 30 long	2
32	K0525184	Hex.Socket Caphead Screw M8 x 10 long	5
	K0526126	Hexagon Socket Screw M8 x 12 long	5
33	K0527111	Hexagon Locknut M12	1
34	K3053137	Thumbnut M8	1
	K0527109	Hexagon Locknut M8	1
35	K0530256	Handwheel 10mm bore	1
36	K0520504	Taper Pin	1
37	K0526118	Hex.Socket Screw M6 x 25 long	2
38	K0527108	Hexagon Locknut M6	2
41	K0526298	Stud M12 x 60 long	1
42	K0527104	Hexagon Nut M12	1
	K0528105	Washer 12mm	1



TOP HEAD MANUAL JOINTER

2nd Bottom Head Manual Jointer

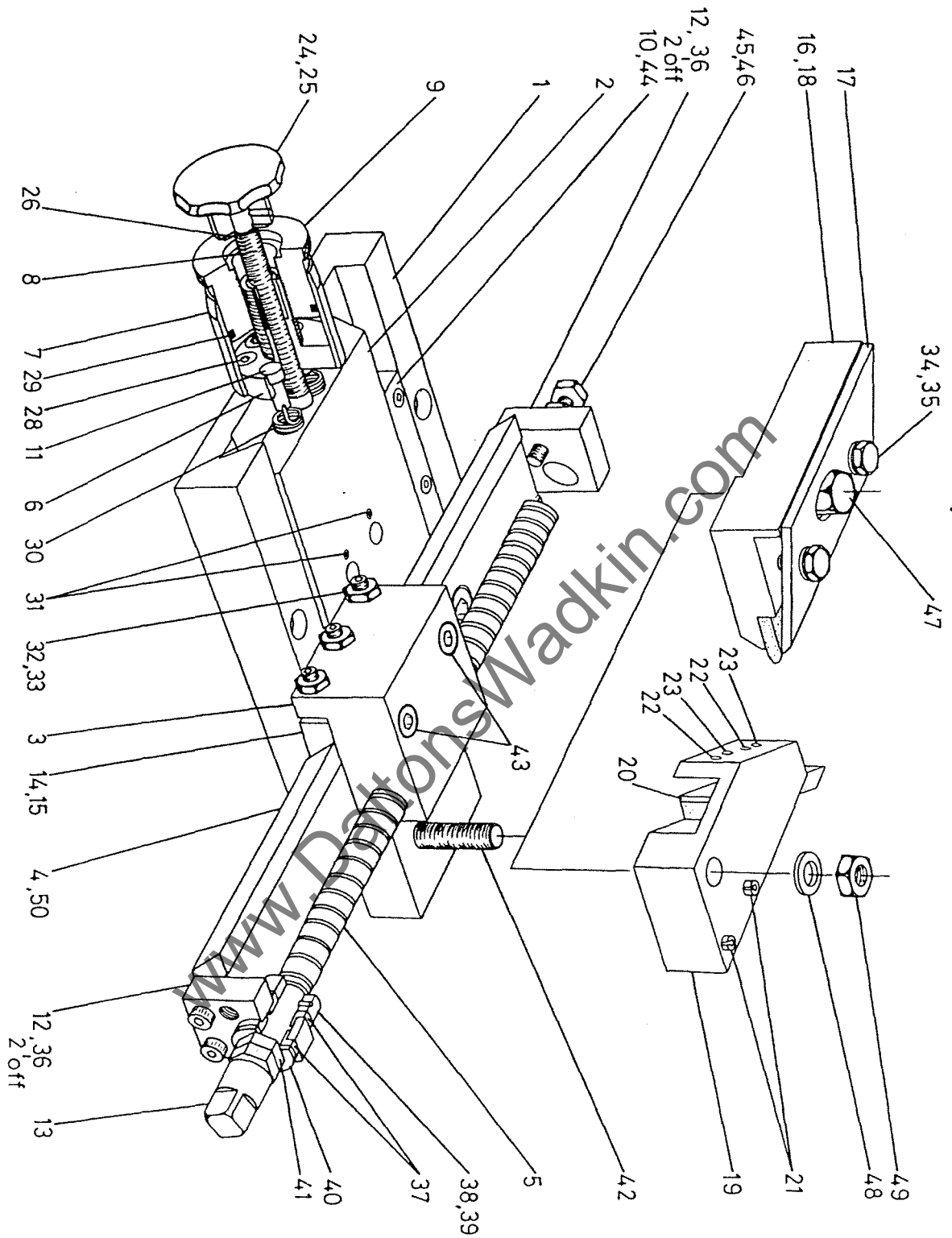
Ref.No	Part No	Description	Quantity
1	GA8036	Slideway for 2nd Bottom Head Jointer Feed	1
	K0520533	Tension Pin 8 dia.x 24 long	2
	GA4048	Packer for Slide	1
2	GA8035	Slide for 2nd Bottom Head Jointer Feed	1
3	GA8037	Saddle for 2nd Bottom Head Jointer	1
4	GA8005	Slide for 2nd Bottom Head Jointer Traverse	1
5	GA8581	Screw for 2nd Bottom Head Jointer Traverse	1
6	GA7935	Nut for Jointer Feed	1
7	GA18499	Sleeve for Jointer Indexing	1
8	GA7938	Screw for Jointer Feed	1
9	GA18500	Dial for Jointer Indexing	1
10	GA6294	Slide Strip for Jointer Feed	1
11	GA8318	Spring Anchor Pin	2
12	GA7953	Block for Jointer Traverse Stop	2
13	GA21066	Square End for Jointer Winding	1
14	GA7954	Wear Strip for Jointer Saddle	1
15	GA7955	Clamp Block for Jointer Saddle	1
	K0526238	Stud M8 x 50 long	1
	K0528103	Washer 8mm	2
	K0528154	Spring Coil Washer 8mm	1
	K0527303	Wingnut M8	1
16	GA20171	Body For Profile Jointing Stone Holder	1
17	GA20172	Clamp Plate for Profile Jointing Stone	1
18	GA7939	Washer for Stone Holder	1
19	GA15720	Holder for Straight Jointing Stone	1
20	GA7949	Clamp Plate for Straight Jointing Stone	1
21	K0520526	Tension Pin 6 dia.x 32 long	2
22	k0520480	Tension Pin 4 dia.x 12 long	2
23	K0526114	Hexagon Socket Screw M6 x 10 long	2
24	K0530256	Handwheel 10mm bore	1
25	K0520504	Taper Pin	1
26	K0528113	Large Washer 10mm	1
27	K3033114	Helicoil Insert M12	1
28	K0525165	Hex.Socket Caphead Screw M6 x 16 long	2
29	K3069280	O Ring	1



2nd BOTTOM HEAD MANUAL JOINTER

2nd Bottom Head Manual Jointer

Ref.No	Part No	Description	Quantity
30	K3073992	Extension Spring	2
31	K0520481	Tension Pin 4 dia.x 16 long	2
32	K0526127	Hex.Socket Screw M8 x 16 long	3
33	K0527109	Hexagon Locknut M8	3
34	K0525518	Hexagon Head Screw M8 x 30 long	2
35	K0528103	Washer 8mm	2
36	K0525167	Hex.Socket Caphead screw M6 x 25 long	4
37	K0531302	Flanged Oilite Bush 12 x 18 x 8mm	2
38	K0528207	Collar 25 x 12 x 12mm	1
39	K0520484	Tension Pin 4 dia.x 26 long	1
40	K0528105	Washer M12	1
41	K0527111	Hexagon Locknut M12	1
42	K0526298	Stud M12 x 60 long	1
43	K0525190	Hex.Socket Caphead Screw M8 x 35 long	2
44	K0525186	Hex.Socket Caphead Screw M8 x 16 long	3
45	K0525520	Hexagon Head Screw M8 x 40 long	1
46	K0527109	Hexagon Locknut M8	1
47	K3053223	Collared Nut M12	1
48	K0528105	Washer 12mm	1
49	K0527104	Hexagon Nut M12	1
50	K0525208	Hex.Socket Caphead Screw M10 x 20 long	2



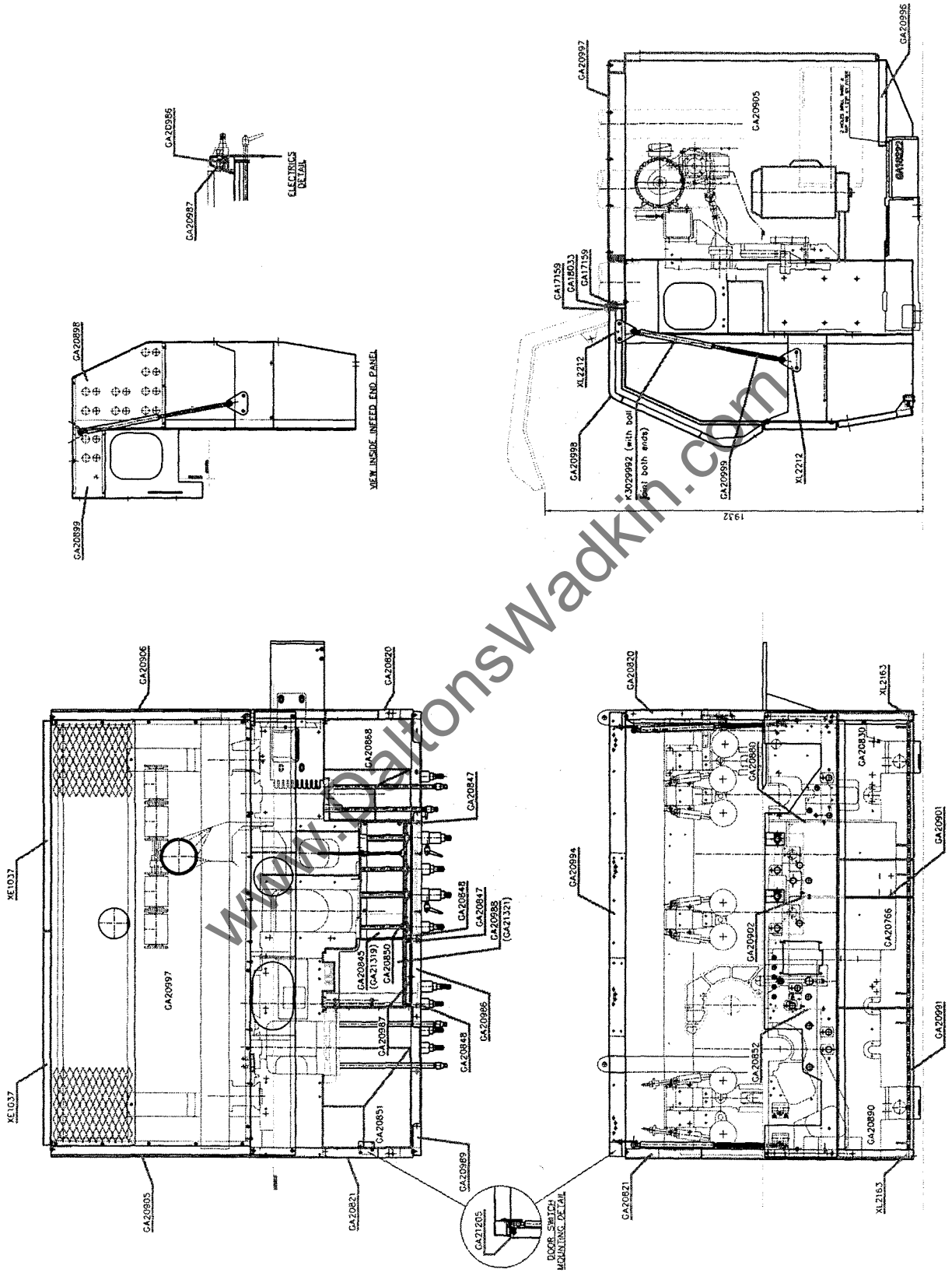
2nd BOTTOM HEAD MANUAL JOINTER

SECTION 11 : ENCLOSURES

www.DaltonsWadkin.com

HT5 Enclosure

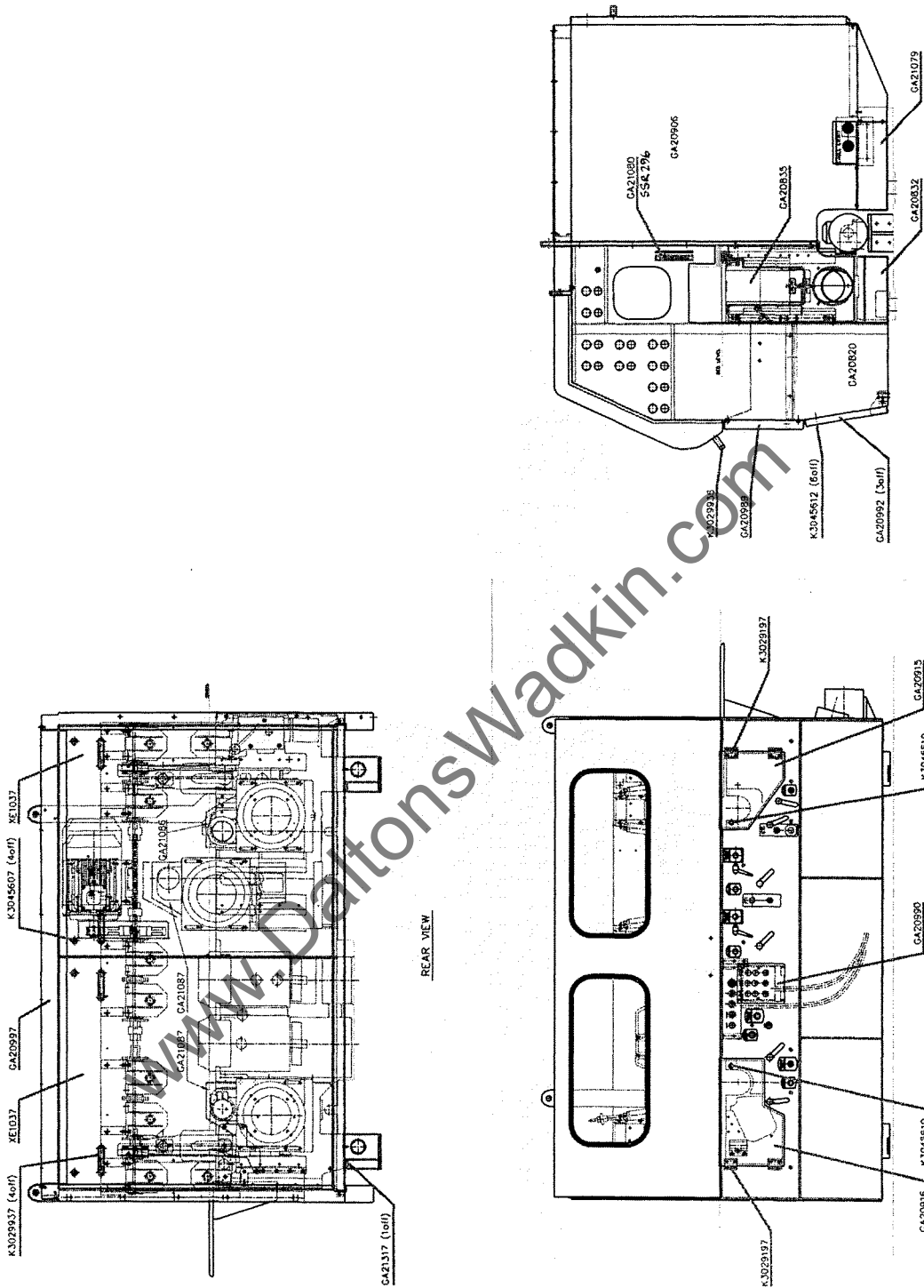
Part No	Description	Quantity
GA17159	Block for Door Hinge	8
GA18033	Hinge for Cover	4
GA20816	Infeed Lifting Bar	1
GA20817	Outfeed Lifting Bar	1
GA20820	Infeed End Panel - Front	1
GA20821	Outfeed End Panel - Front	1
GA20832	Cover for Infeed Table	1
GA20845	Tool Tray - Side Heads	1
GA20847	Bracket for Tool Tray - LH	2
GA20848	Bracket for Tool Tray - RH	2
GA20850	Filling Piece at Side Heads	1
GA20851	Tray at 2nd Bottom Head	1
GA20852	End Piece for Tool Tray - LH	1
GA20868	Tray at 1st Bottom Head	1
GA20880	End Piece for Tool Tray - RH	1
GA20898	Cover Plate (large) for Pneumatics	1
GA20899	Cover Plate (small) for Pneumatics	1
GA20901	Support Bar Bracket	1
GA20902	Support Bar Bracket Hanger	1
GA20905	Outfeed Rear End Panel	1
GA20906	Infeed Rear End Panel	1
GA20915	Door for 1st Bottom Head	1
GA20916	Door for 2nd Bottom Head	1
GA20986	Plate for Electrical Controls	1
GA20987	Cover Plate for Electrical Controls	1
GA20988	Tool Tray for Top Head	1
GA20989	Front Facia	1



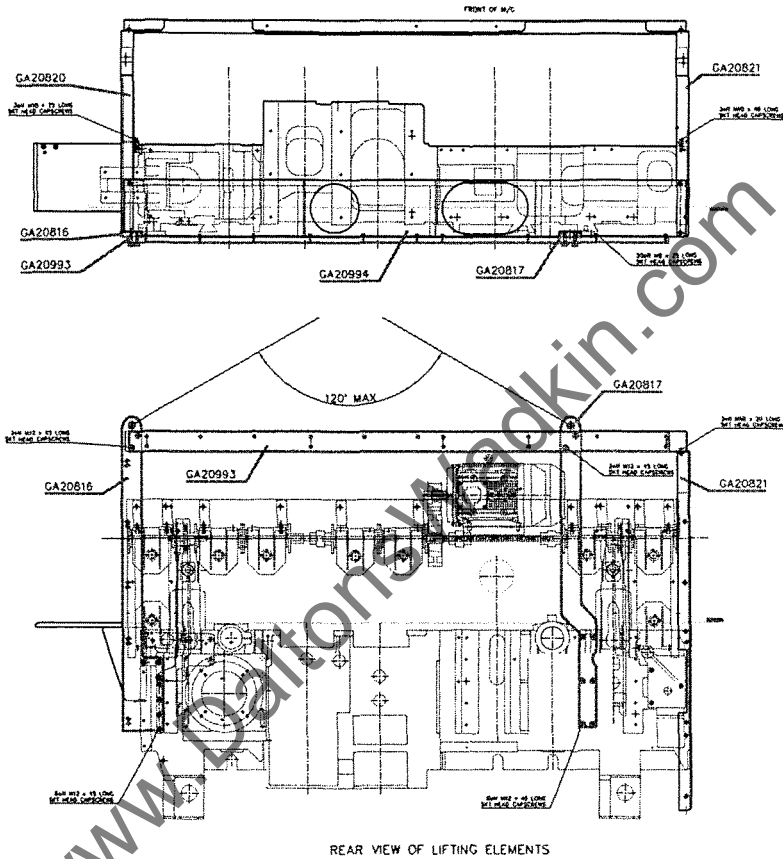
HT5 ENCLOSURE

HT5 Enclosure

Part No	Description	Quantity
GA20990	Blanking Plate for Manual Jointers	1
GA20991	Support Bar	1
GA20992	Lower Front Panel	3
GA20993	Crossbar for Lifting Element	1
GA20994	Top Brace	1
GA20996	Rear Floor Panel	1
GA20997	Rear Roof Panel	1
GA20998	Front Lift Up Door	1
GA20999	Gas Strut Extension	2
GA21079	Infill Piece - Rear Infeed End Panel	1
GA21080	Pointer for Beam Rise and Fall	1
GA21085	Bracket for Rear Tray	1
GA21205	Switch Mounting Bracket	1
GA21317	Bracket for Electrical Trunking	1
GA21319	Rubber Matting At Side Heads	1
GA21321	Rubber Matting for Tool Tray	1
K3029197	Hinge for Bottom Head Doors	4
K3029937	Handle for Rear Cover	4
K3029938	Handle for Front Lift Up Door	1
K3029992	Gas Strut	2
K3045607	Latch Assembly for Rear Cover	4
K3045610	Latch Assembly for Bottom Head Doors	2
K3045607	Latch Assembly for Lower Front Panels	6
SSR296	Scale for Beam Rise and Fall	1
XE1037	Rear Cover	2
XL2163	Support Bar End Support	2
XL2212	Mounting Bracket for Gas Strut	4



HT5 ENCLOSURE

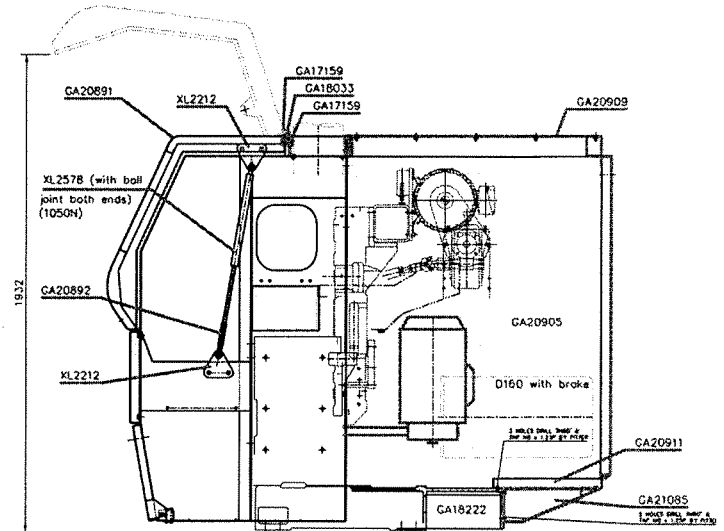
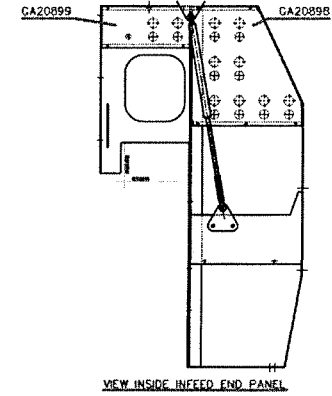
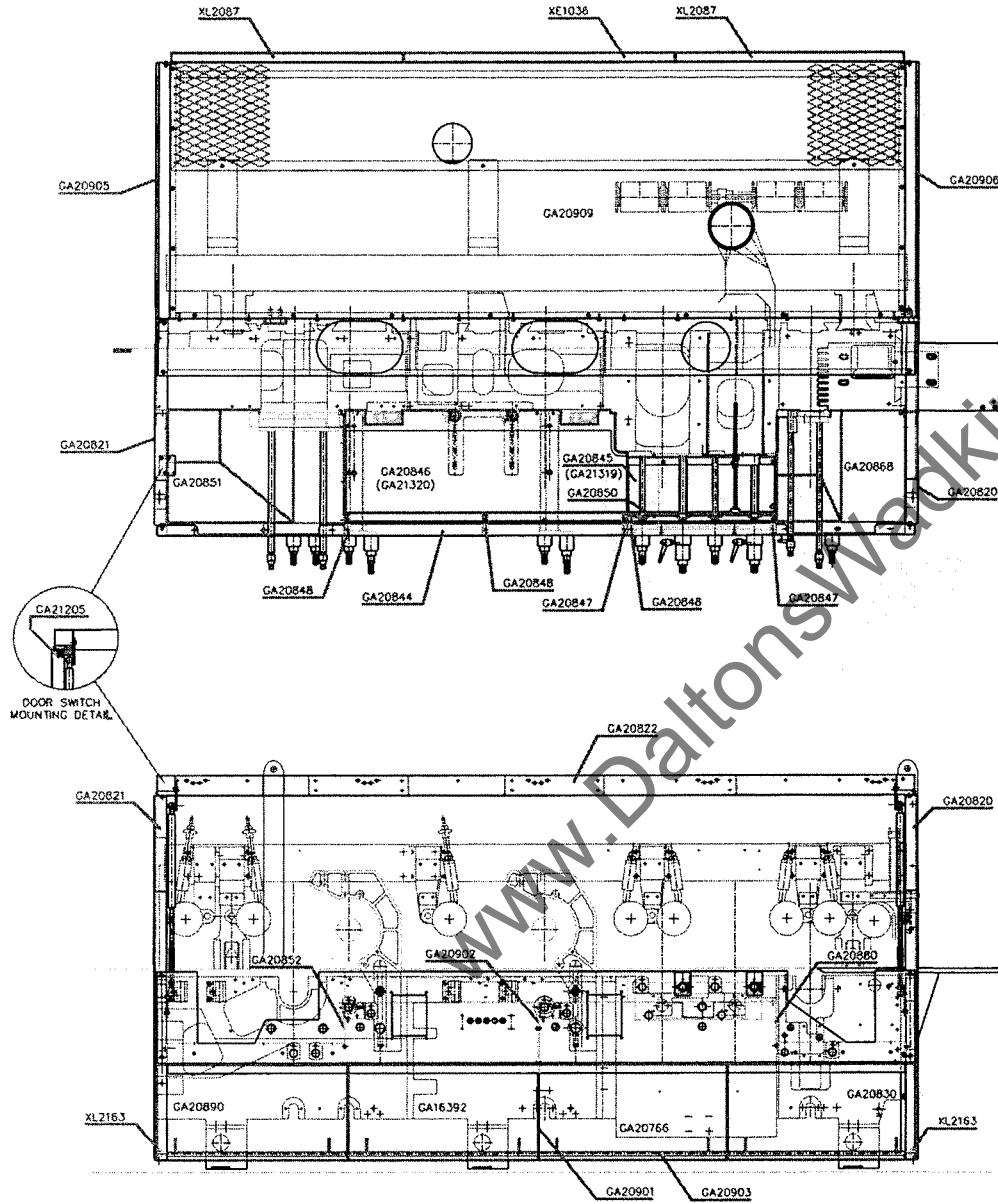


HT5 ENCLOSURE LIFTING ELEMENTS

HT6 Enclosure

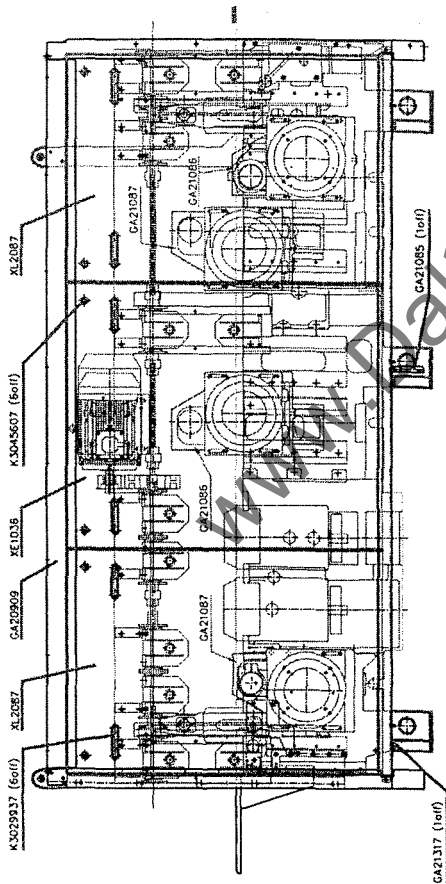
Part No	Description	Quantity
GA17159	Block for Door Hinge	10
GA18033	Hinge for Cover	5
GA20816	Infeed Lifting Bar	1
GA20817	Outfeed Lifting Bar	1
GA20818	Crossbar for Lifting Element	1
GA20820	Infeed End Panel - Front	1
GA20821	Outfeed End Panel - Front	1
GA20822	Top Brace	1
GA20844	Front Facia	1
GA20845	Tool Tray - Side Heads	1
GA20846	Tool Tray - Top Heads	1
GA20847	Bracket for Tool Tray - LH	2
GA20848	Bracket for Tool Tray - RH	2
GA20850	Filling Piece at Side Heads	1
GA20851	Tray at 2nd Bottom Head	1
GA20852	End Piece for Tool Tray - LH	1
GA20868	Tray at 1st Bottom Head	1
GA20880	End Piece for Tool Tray - RH	1
GA20891	Front Lift Up Door	1
GA20892	Gas Strut Extension	2
GA20898	Cover Plate (large) for Pneumatics	1
GA20899	Cover Plate (small) for Pneumatics	1
GA20900	Lower Front Panel	4
GA20901	Support Bar Bracket	1
GA20902	Support Bar Bracket Hanger	1
GA20903	Support Bar	1
GA20905	Outfeed Rear End Panel	1

HT6 ENCLOSURE

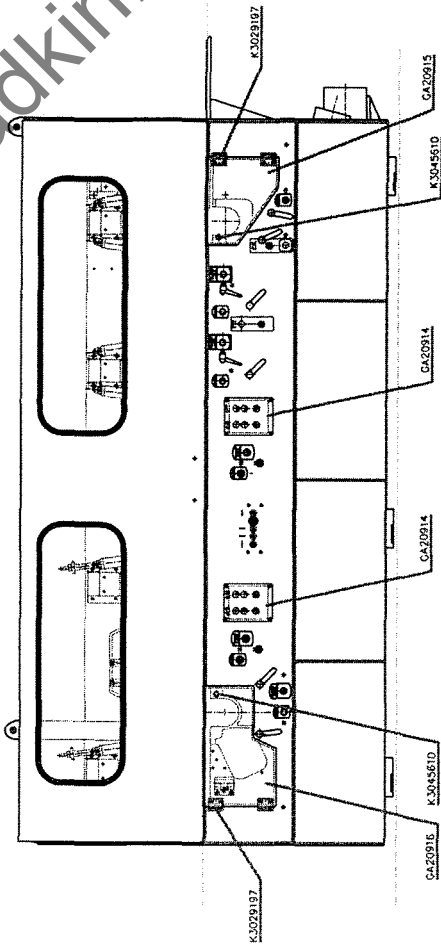
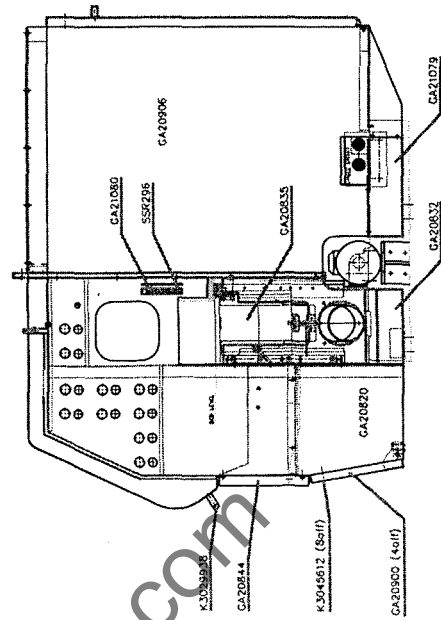


HT6 Enclosure

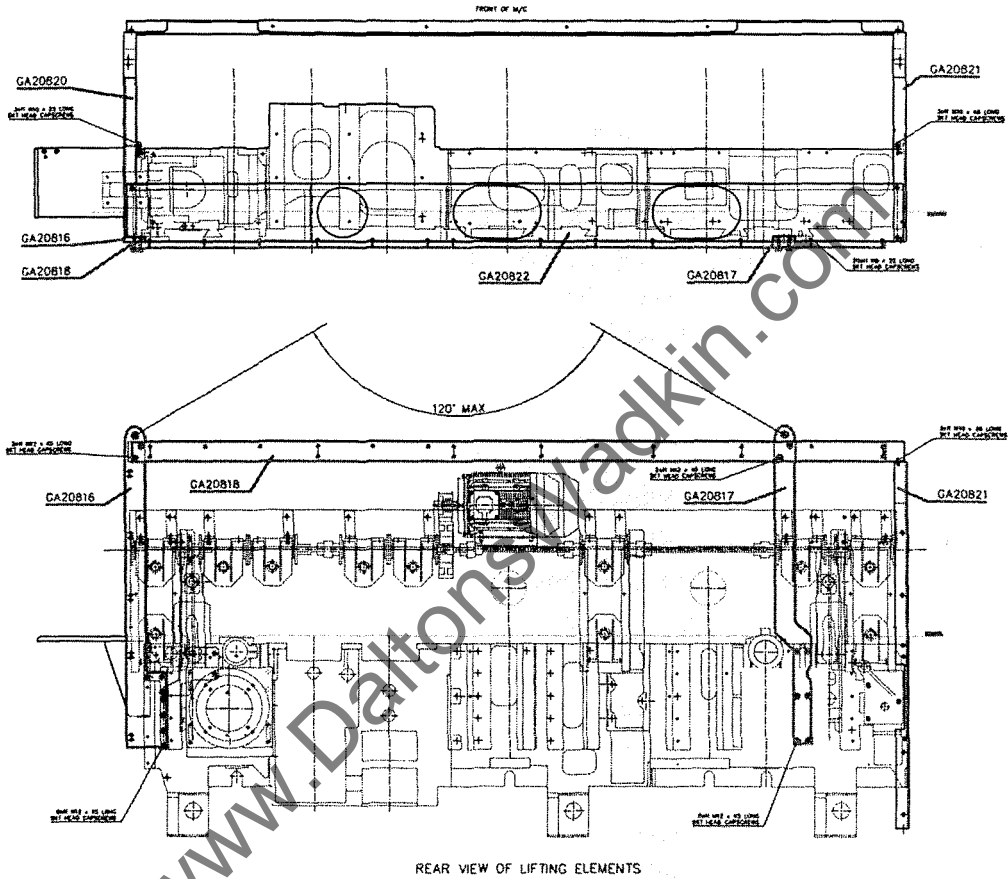
Part No	Description	Quantity
GA20906	Infeed Rear End Panel	1
GA20909	Rear Roof Panel	1
GA20911	Rear Floor Panel	1
GA20914	Blanking Plate for Manual Jointers	1
GA20915	Door for 1st Bottom Head	1
GA20916	Door for 2nd Bottom Head	1
GA21079	Infill Piece - Rear Infeed End Panel	1
GA21080	Pointer for Beam Rise and Fall	1
GA21085	Bracket for Rear Tray	1
GA21205	Switch Mounting Bracket	1
GA21317	Bracket for Electrical Trunking	1
GA21319	Rubber Matting at Side Heads	1
GA21320	Rubber Matting for Tool Tray	1
K3029197	Hinge for Bottom Head Doors	4
K3029937	Handle for Rear Cover	6
K3029938	Handle for Front Lift Up Door	1
K3045607	Latch Assembly for Rear Cover	6
K3045610	Latch Assembly for Bottom Head Doors	2
K3045607	Latch Assembly for Lower Front Panels	8
SSR296	Scale for Beam Rise and Fall	1
XE1036	Rear Cover	1
XL2087	Rear Cover	2
XL2163	Support Bar End Support	2
XL2212	Mounting Bracket for Gas Strut	4
XL2578	Gas Strut (1050N)	2



REAR VIEW



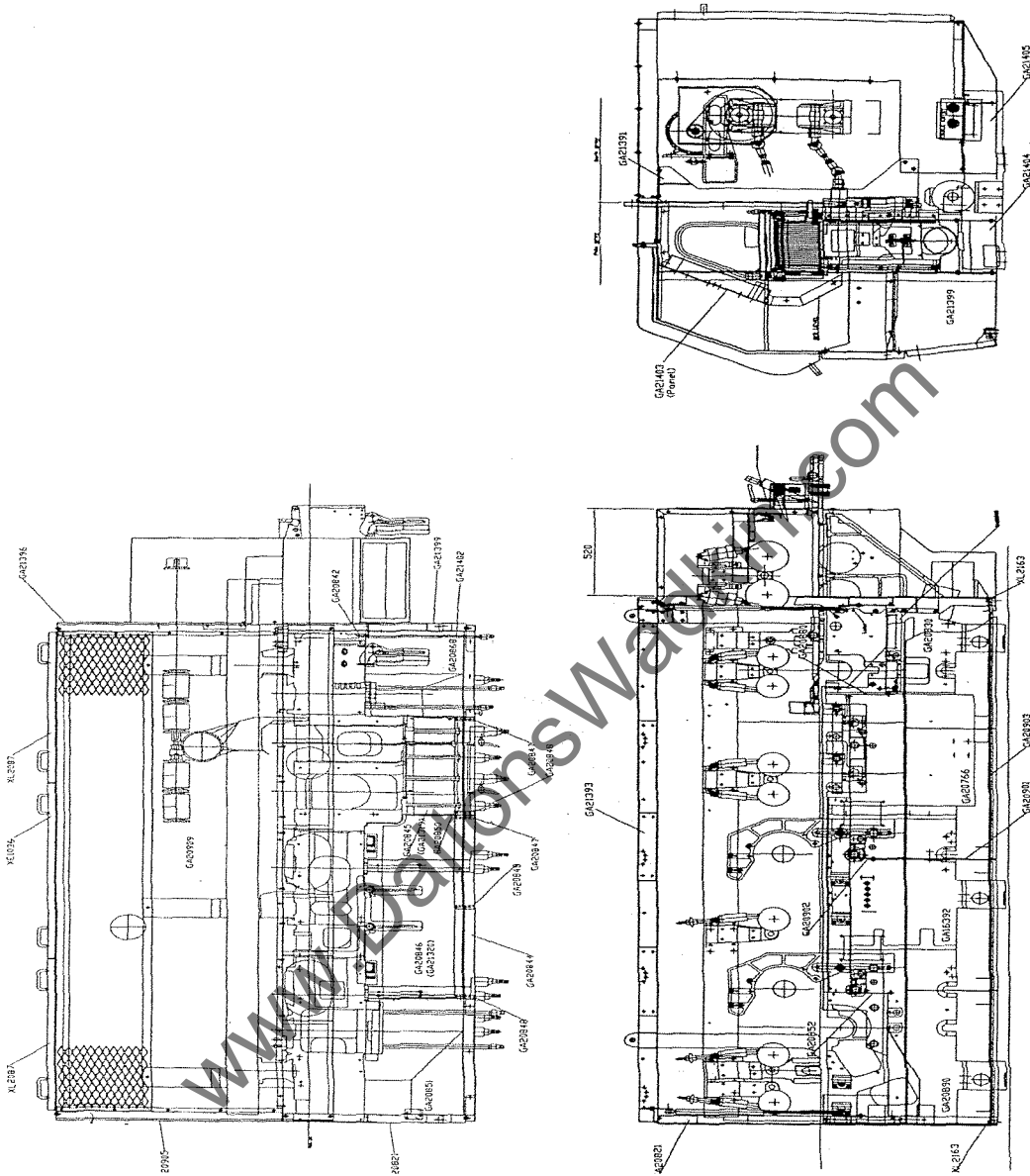
HT6 ENCLOSURE



HT6 ENCLOSURE LIFTING ELEMENTS

HTPF6 Enclosure

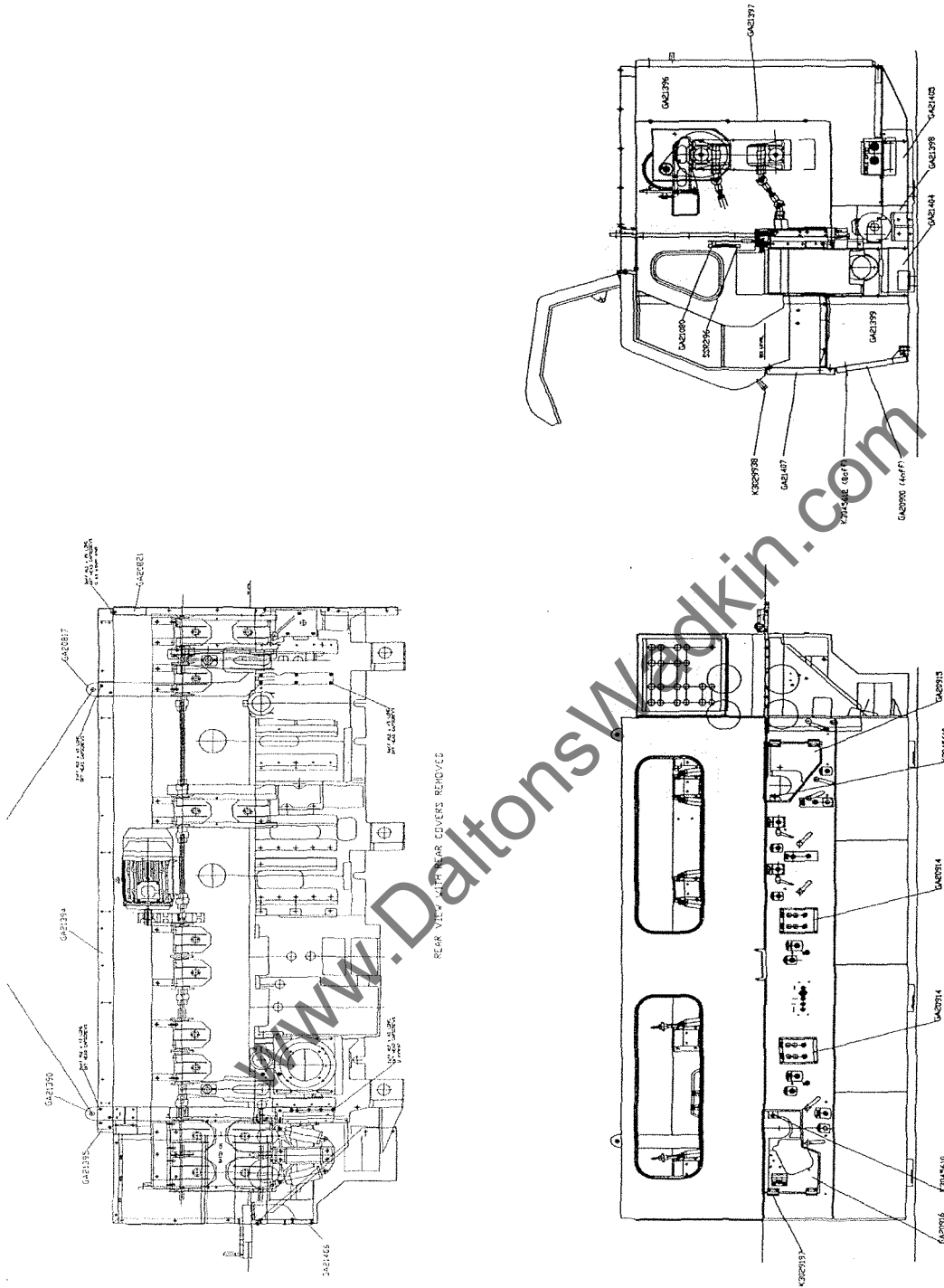
Part No	Description	Quantity
GA17159	Block for Door Hinge	10
GA18033	Hinge for Cover	5
GA20821	Outfeed End Panel - Front	1
GA20845	Tool Tray - Side Heads	1
GA20846	Tool Tray - Top Heads	1
GA20847	Bracket for Tool Tray - LH	2
GA20848	Bracket for Tool Tray - RH	2
GA20850	Filling Piece at Side Heads	1
GA20851	Tray at 2nd Bottom Head	1
GA20852	End Piece for Tool Tray - LH	1
GA20868	Tray at 1st Bottom Head	1
GA20880	End Piece for Tool Tray - RH	1
GA20891	Front Lift Up Door	1
GA20892	Gas Strut Extension	2
GA20898	Cover Plate (large) for Pneumatics	1
GA20899	Cover Plate (small) for Pneumatics	1
GA20900	Lower Front Panel	4
GA20901	Support Bar Bracket	1
GA20902	Support Bar Bracket Hanger	1
GA20903	Support Bar	1
GA20905	Outfeed Rear End Panel	1
GA20909	Rear Roof Panel	1
GA20911	Rear Floor Panel	1
GA20914	Blanking Plate for Manual Jointers	1
GA20915	Door for 1st Bottom Head	1
GA20916	Door for 2nd Bottom Head	1
GA21080	Pointer for Beam Rise and Fall	1



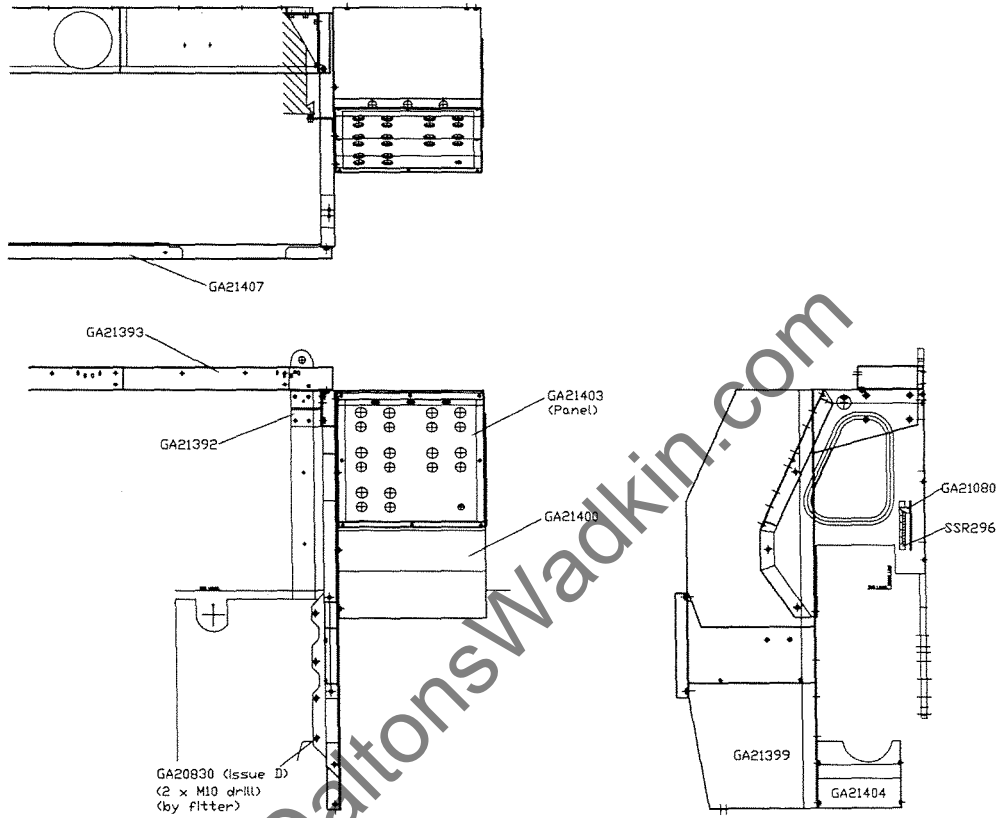
HTPF6 ENCLOSURE

HTPF6 Enclosure

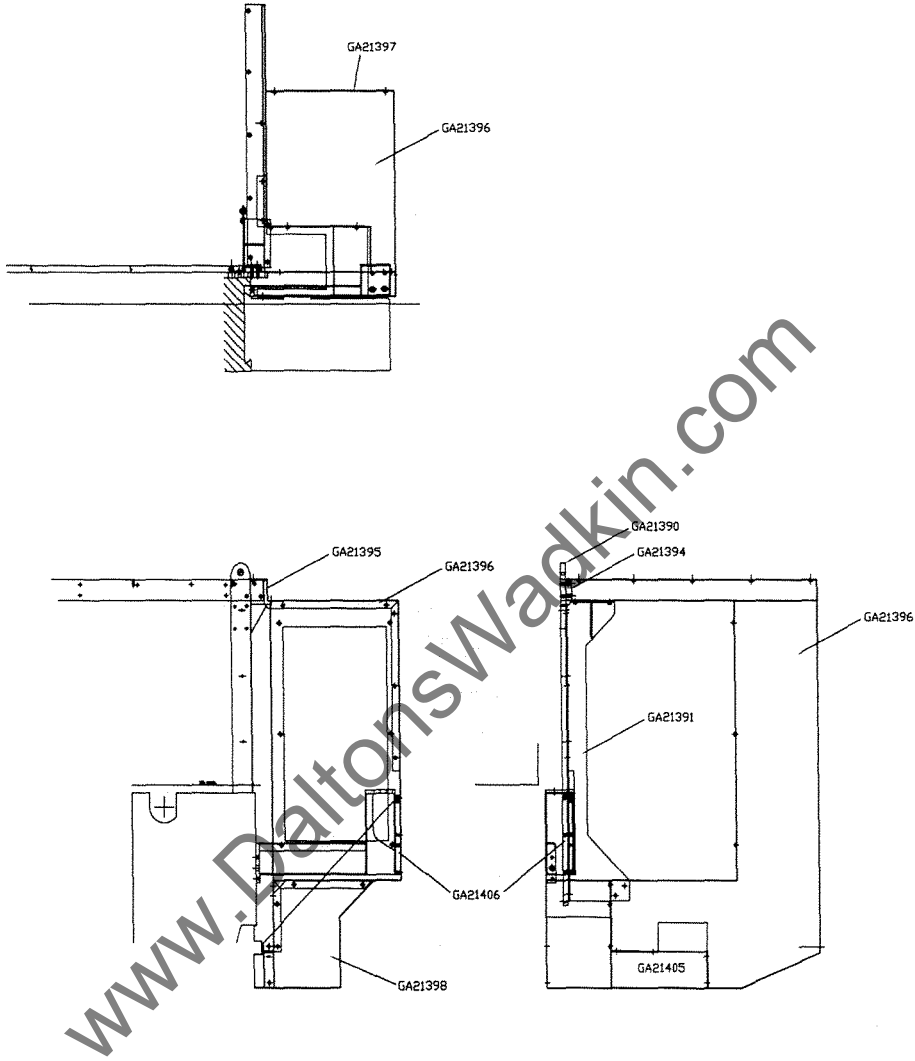
Part No	Description	Quantity
GA21085	Bracket for Rear Tray	1
GA21205	Switch Mounting Bracket	1
GA21317	Bracket for Electrical Trunking	1
GA21319	Rubber Matting at Side Heads	1
GA21320	Rubber Matting for Tool Tray	1
GA21391	Mounting for Infeed End Panel	1
GA21392	Top Brkt.for Front Infeed End Panel	1
GA21393	Top Brace (Pushfeed)	1
GA21396	Infeed Rear End Panel	1
GA21397	Rear Access Panel	1
GA21398	Cover for Rise & Fall Motor	1
GA21399	Infeed End Panel - Front	1
GA21400	Infeed Enclosure for Pushfeed	1
GA21403	Panel for Regulators	1
GA21405	Infill Piece - Rear Infeed End Panel	1
GA21406	Mounting Bar for End Panel	1
GA21407	Front Facia (PF, BF, NT, TB)	1
K3029197	Hinge for Bottom Head Doors	4
K3029937	Handle for Rear Cover	6
K3029938	Handle for Front Lift Up Door	1
K3045607	Latch Assembly for Rear Cover	6
K3045610	Latch Assembly for Bottom Head Doors	2
K3045607	Latch Assembly for Lower Front Panels	8
SSR296	Scale for Beam Rise and Fall	1
XE1036	Rear Cover	1
XL2087	Rear Cover	2
XL2163	Support Bar End Support	2
XL2212	Mounting Bracket for Gas Strut	4
XL2578	Gas Strut (1050N)	2



HTPF6 ENCLOSURE



HTPF6 ENCLOSURE



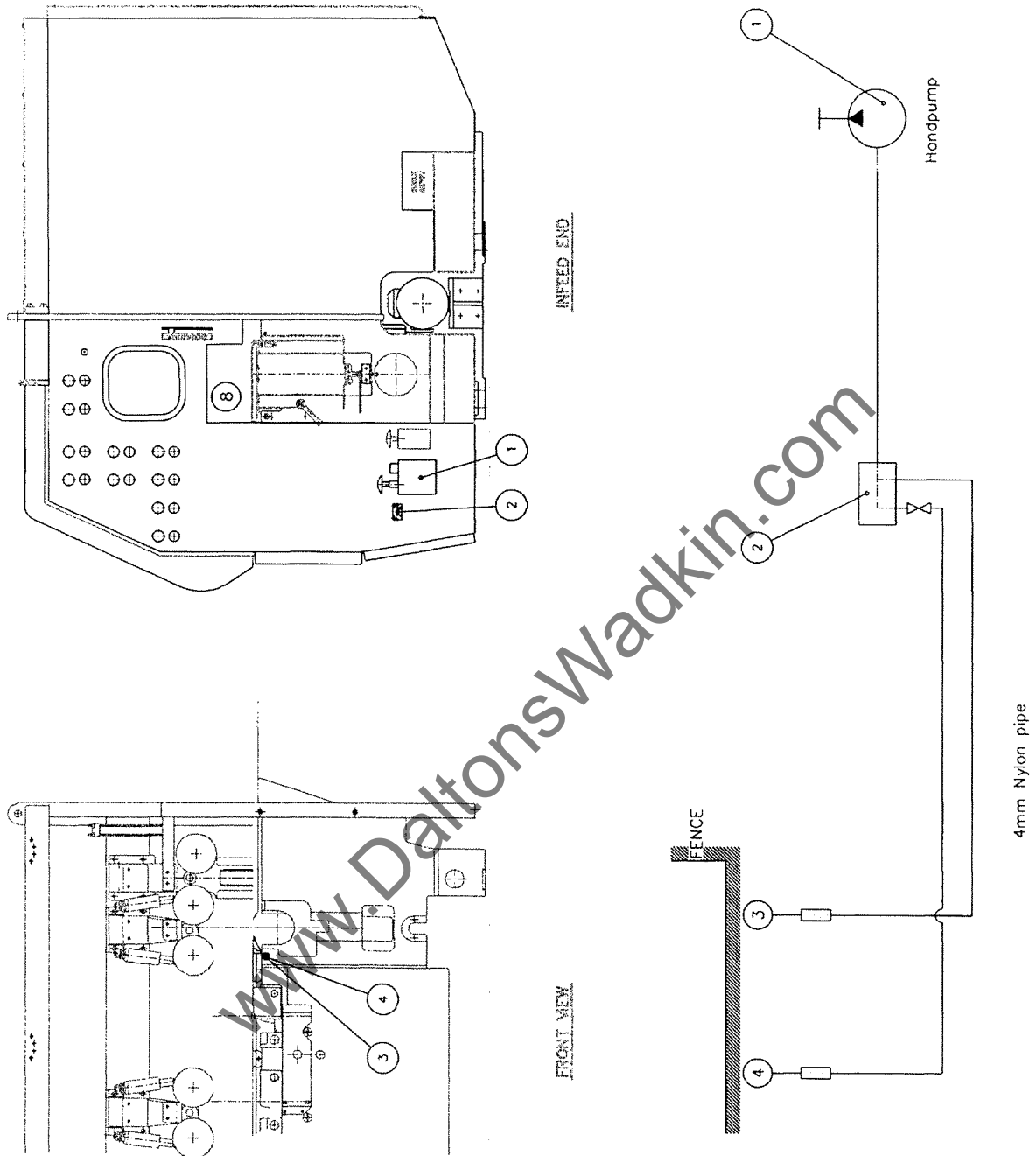
HTPF6 ENCLOSURE

SECTION 12 : CIRCUITS & CHARTS

www.DaltonsWadkin.com

Bed Lubrication Circuit

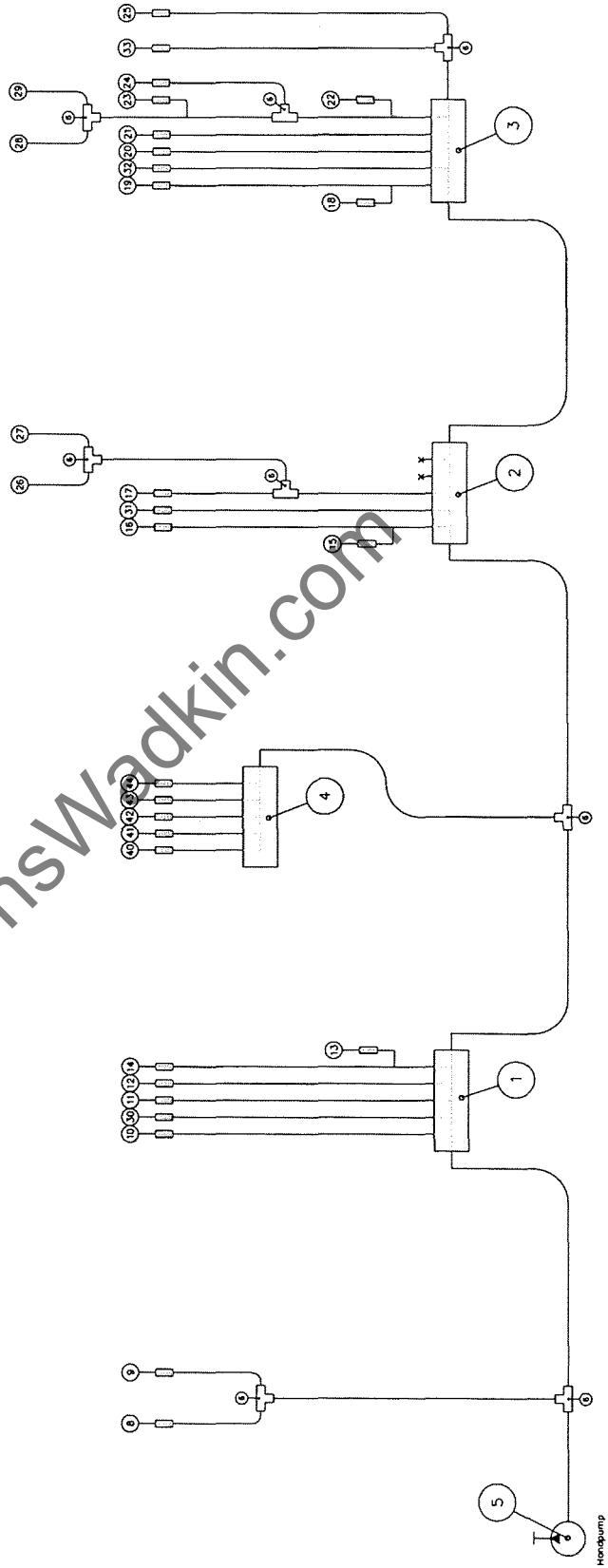
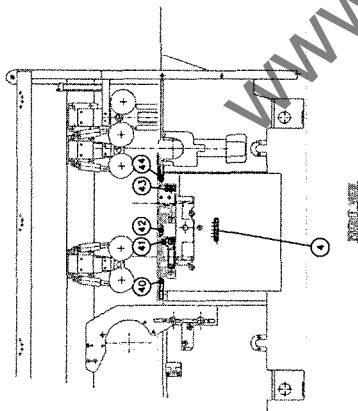
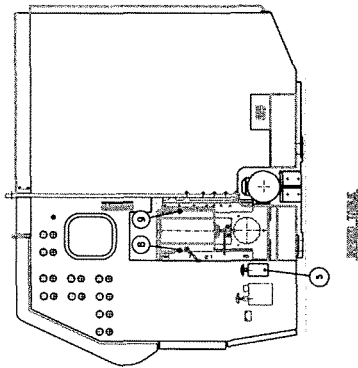
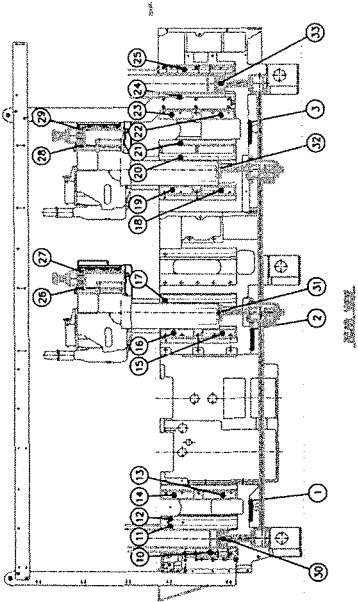
Ref: Position	Part No	Description	Quantity
1 Handpump	K3062470	Handpump LV62802	1
	K0525502	Hexagon Head Screw M6 x 16 long	2
	K0527101	Hexagon Nut M6	2
	K0528102	Washer 6mm	2
2 Manifold	GA5924	Manifold Block	1
	E603	Packing Collar	2
	K0525506	Hexagon Head Screw M6 x 35 long	2
	K0527101	Hexagon Nut M6	2
	K0528102	Washer 6mm	2
	K3063257	Straight Connector 1/8"BSP/4mm	1
	K3062677	Ball Valve 3831,1/8"BSP	1
	K3063149	Swivel Elbow 1/8"BSP/4mm	2
3 Bedplate	K3062701	Elbow Connector 1/8"BSP	1
	K3062696	Straight Flow Unit	1
4 Bedplate	K3062701	Elbow Connector 1/8"BSP	1
	K3062696	Straight Flow Unit	1



BED LUBRICATION CIRCUIT

Centralised Lubrication Chart

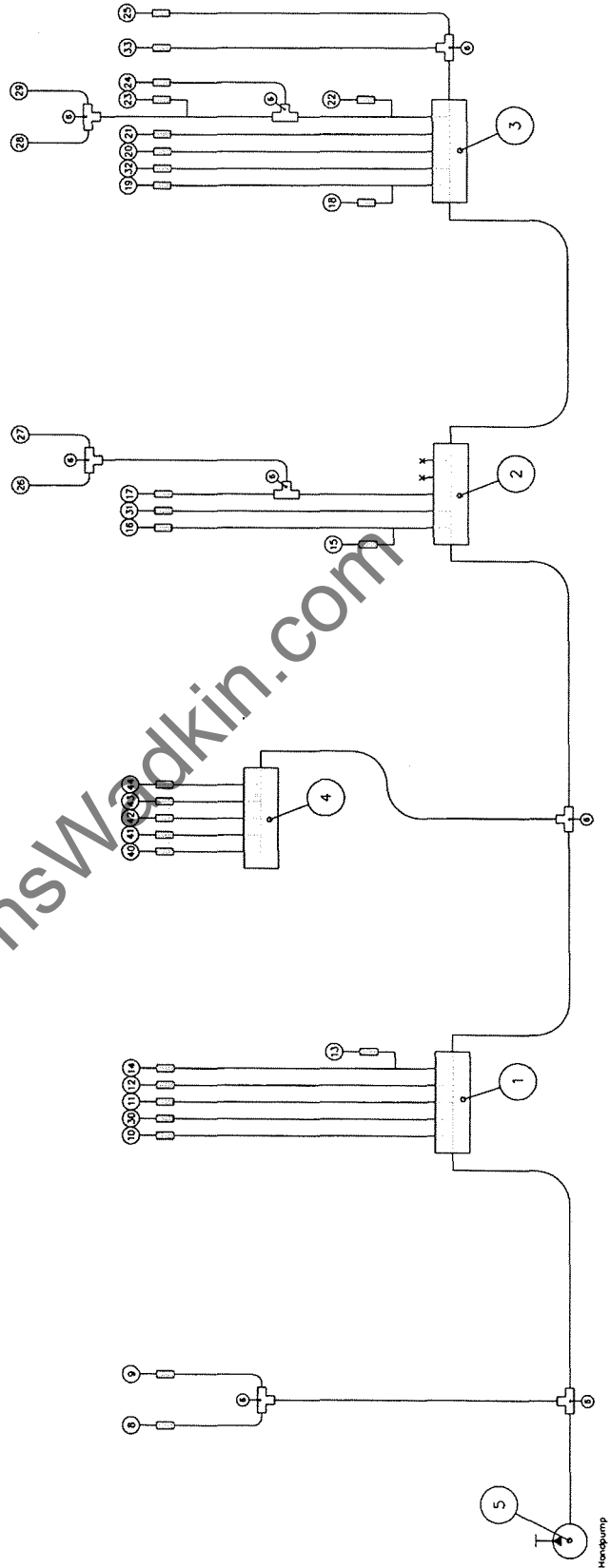
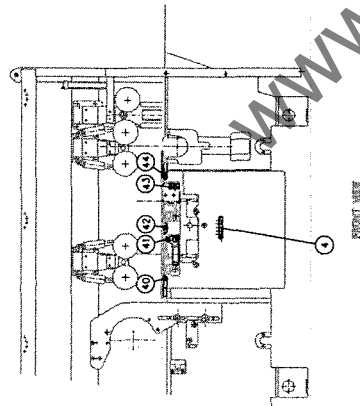
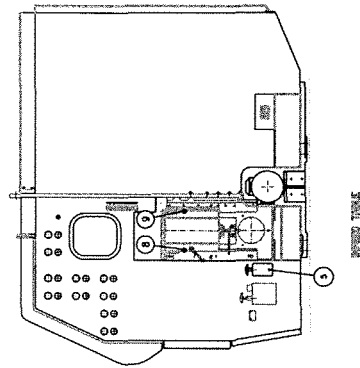
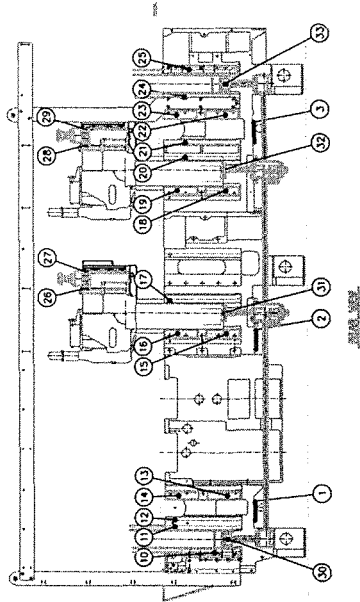
Ref: Position	Part No	Description	Quantity
1 Manifold	K3045368	Manifold	1
	K0525146	Hex.Socket Caphead Screw M5 x 25 long	2
	K0528101	Washer 5mm	2
	K3063149	Swivel Elbow 1/8"BSP/4mm	6
	K3063257	Straight Connector 1/8"BSP/4mm	1
2 Manifold	K3045368	Manifold	1
	K0525146	Hex.Socket Caphead Screw M5 x 25 long	2
	K0528101	Washer 5mm	2
	K3063149	Swivel Elbow 1/8"BSP/4mm	4
	K3063257	Straight Connector 1/8"BSP/4mm	1
	K0950323	Plug 1/8"BSP	2
3 Manifold	K3045368	Manifold	1
	K0525146	Hex.Socket Caphead Screw M5 x 25 long	2
	K0528101	Washer 5mm	2
	K3063149	Swivel Elbow 1/8"BSP/4mm	6
	K3063257	Straight Connector 1/8"BSP/4mm	1
4 Manifold	K3045368	Manifold	1
	K0525146	Hex.Socket Caphead Screw M5 x 25 long	2
	K0528101	Washer 5mm	2
	K3063149	Swivel Elbow 1/8"BSP/4mm	6
	K0950323	Plug 1/8"BSP	1
5 Handpump	K3062469	Handpump LV63158	1
	K0525502	Hexagon Head Screw M6 x 16 long	2
	K0527101	Hexagon Nut M6	2
	K0528102	Washer 6mm	2
	K3062662	Elbow Connector 4mm	1
6 Tee Connector	K3063121	Tee Connector 4mm	8
8 Infeed Slide	K3062701	Elbow Connector 1/8"BSP	1
	K3062696	Straight Flow Unit	1
9 Infeed Table	K3062701	Elbow Connector 1/8"BSP	1
	K3062696	Straight Flow Unit	1
10 Beam Slide	K3062696	Straight Flow Unit	1
11 Beam Slide	K3062701	Elbow Connector 1/8"BSP	1
	K3062696	Straight Flow Unit	1
12 Btm.Hd.Slide	K3062701	Elbow Connector 1/8"BSP	1
	K3062696	Straight Flow Unit	1



CENTRALISED LUBRICATION CIRCUIT

Centralised Lubrication Chart

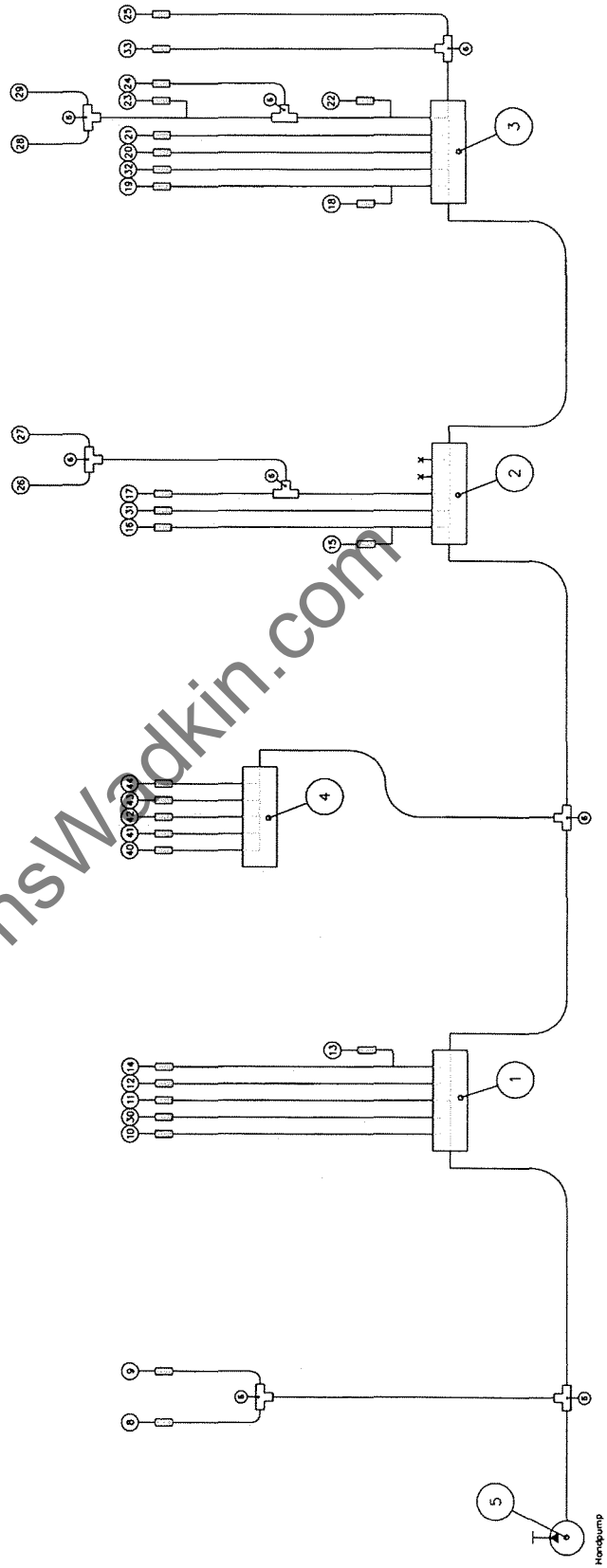
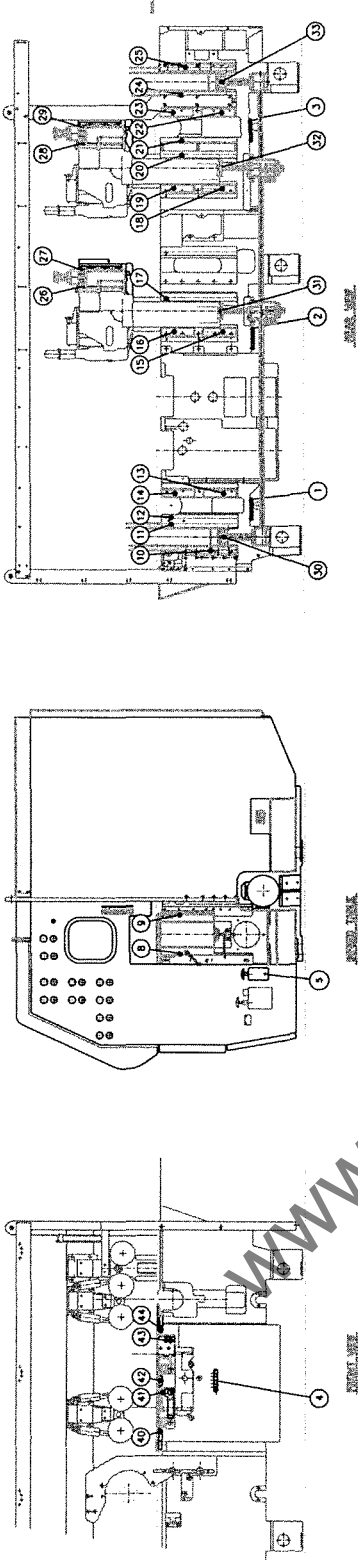
Ref:	Position	Part No	Description	Quantity
13	Btm.Hd.Slide	K3062614	3 Way Junction Heading	1
		K3062620	Cone	2
		K3062621	Sleeve Nut	2
		K3062708	Straight Flow Unit	1
14	Btm.Hd.Slide	K3062614	3 Way Junction Heading	1
		K3062620	Cone	1
		K3062621	Sleeve Nut	1
		K3062708	Straight Flow Unit	1
		K3062638	Plug 5/16"UNF	1
15	Top Hd.Slide	K3062614	3 Way Junction Heading	1
		K3062620	Cone	2
		K3062621	Sleeve Nut	2
		K3062708	Straight Flow Unit	1
16	Top Hd.Slide	K3062614	3 Way Junction Heading	1
		K3062620	Cone	1
		K3062621	Sleeve Nut	1
		K3062708	Straight Flow Unit	1
		K3062638	Plug 5/16"UNF	1
17	Top Hd.Slide	K3062701	Elbow Connector 1/8"BSP	1
		K3062696	Straight Flow Unit	1
18	Top Hd.Slide	K3062614	3 Way Junction Heading	1
		K3062620	Cone	2
		K3062621	Sleeve Nut	2
		K3062708	Straight Flow Unit	1
19	Top Hd.Slide	K3062614	3 Way Junction Heading	1
		K3062620	Cone	1
		K3062621	Sleeve Nut	1
		K3062708	Straight Flow Unit	1
		K3062638	Plug 5/16"UNF	1
20	Top Hd.Slide	K3062701	Elbow Connector 1/8"BSP	1
		K3062696	Straight Flow Unit	1
21	Btm.Hd.Slide	K3062701	Elbow Connector 1/8"BSP	1
		K3062696	Straight Flow Unit	1
22	Btm.Hd.Slide	K3062614	3 Way Junction Heading	1
		K3062620	Cone	2
		K3062621	Sleeve Nut	2
		K3062708	Straight Flow Unit	1



CENTRALISED LUBRICATION CHART

Centralised Lubrication Chart

Ref: Position	Part No	Description	Quantity
23 Btm.Hd.Slide	K3062614	3 Way Junction Heading	1
	K3062620	Cone	2
	K3062621	Sleeve Nut	2
	K3062708	Straight Flow Unit	1
24 Beam Slide	K3062701	Elbow Connector 1/8"BSP	1
	K3062696	Straight Flow Unit	1
25 Beam Slide	K3062701	Elbow Connector 1/8"BSP	1
	K3062696	Straight Flow Unit	1
26 Pad Pressure	K3063149	Swivel Elbow 1/8"BSP/4mm	1
27 Pad Pressure	K3063149	Swivel Elbow 1/8"BSP/4mm	1
28 Pad Pressure	K3063149	Swivel Elbow 1/8"BSP/4mm	1
29 Pad Pressure	K3063149	Swivel Elbow 1/8"BSP/4mm	1
30 Beam R&F Nut	K3062696	Straight Flow Unit	1
31 Thd.R&F Nut	K3062696	Straight Flow Unit	1
32 Thd.R&F Nut	K3062696	Straight Flow Unit	1
33 Beam R&F Nut	K3062696	Straight Flow Unit	1
40 NSH Slide	K3062696	Straight Flow Unit	1
41 NSH Nut	K3062701	Elbow Connector 1/8"BSP	1
	K3062696	Straight Flow Unit	1
42 Side Hd.Slides	K3062696	Straight Flow Unit	1
43 FSH Nut	K3062701	Elbow Connector 1/8"BSP	1
	K3062696	Straight Flow Unit	1
44 FSH Slide	K3062696	Straight Flow Unit	1

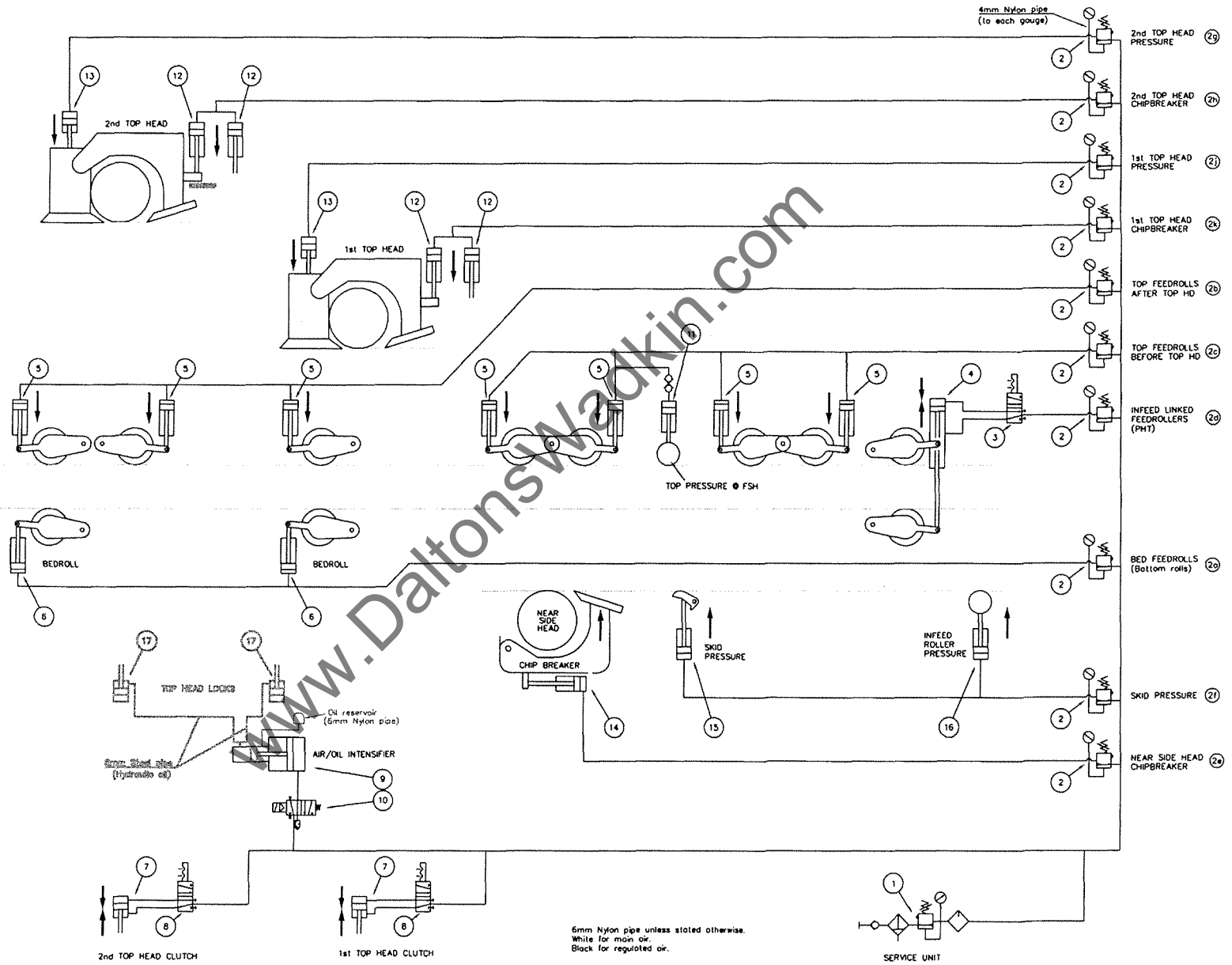


CENTRALISED LUBRICATION CHART

Pneumatic Circuit Chart

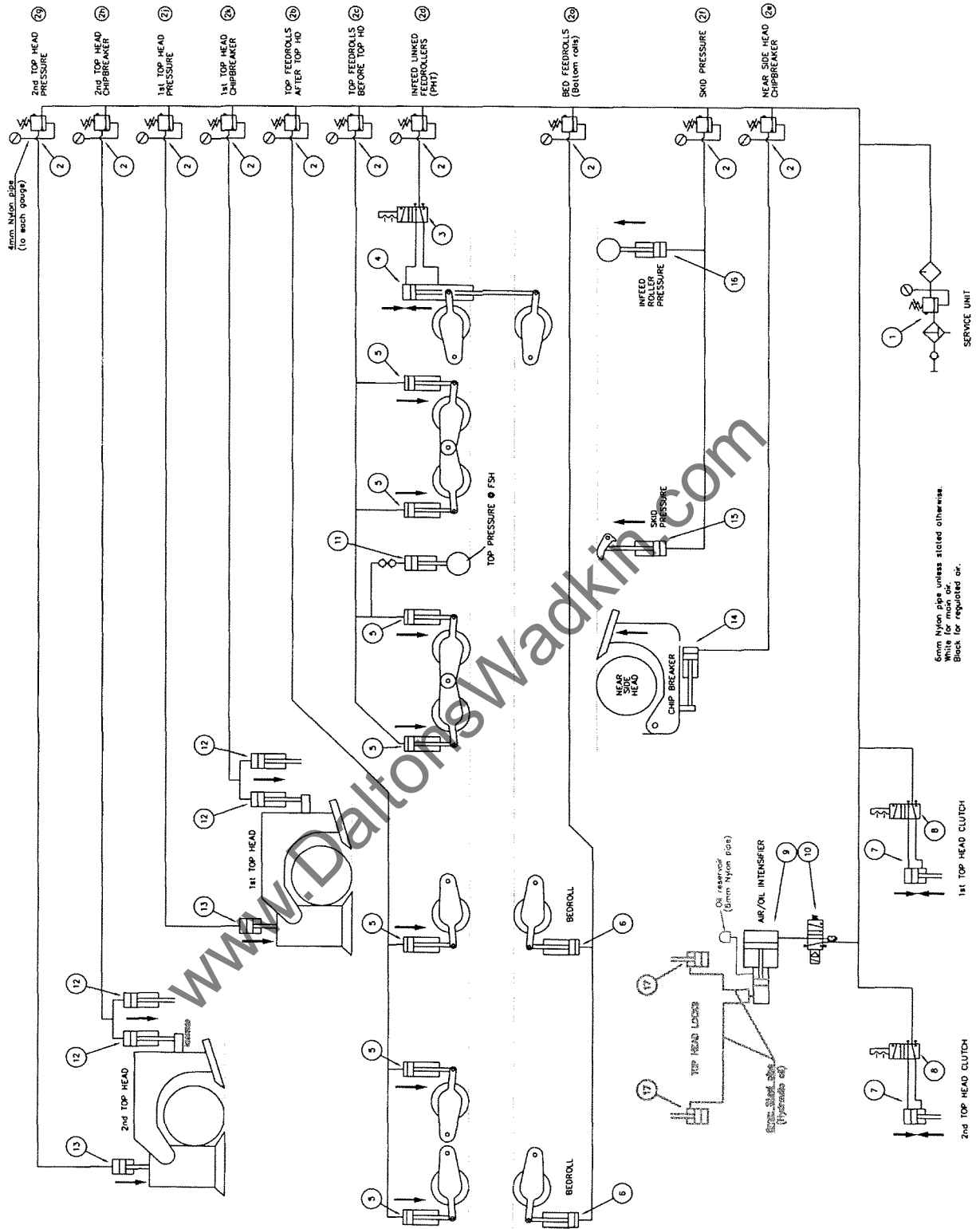
Ref: Position	Part No	Description	Quantity
1 Service Unit	K3063507	Service Unit	1
	K0525502	Hexagon Head Screw M6 x 16 long	1
	K0527101	Hexagon Nut M6	1
	K0528102	Washer 6mm	2
	K3064247	Swivel Elbow 1/8"BSP/6mm	1
	K3061208	Tubing Plug 1/4"BSP	1
	K3061201	Tubing Socket 1/4"BSP	1
	K3061202	Tubing Coupling 1/4"BSP	1
	K3063123	Tee Connector 6mm	1
	2 Control Panel	K3061257	Pressure Regulator 1/8"BSP
K3063153		Swivel Elbow 1/8"BSP/6mm	20
K7070715		Swivel Elbow 1/8"BSP/4mm	10
K3063502		Pressure Guage	10
K3062701		Elbow Connector 1/8"BSP	10
K3064191		Swivel Female Elbow 1/8"BSP/4mm	10
K3063123		Tee Connector 6mm	3
K3064129		4 Way Connector 6mm	3
3 PHT Control	K3061908	5 Port Valve	1
	K3063947	Valve Actuator	1
	K3063193	Swivel Elbow M5/6mm	3
4 PHT Unit	K3061835	Cylinder	1
	K3063947	Valve Actuator	1
	K3063199	Flow Control Valve 1/8"BSP/6mm	2
5 Top Feedroll	K3061911	Feedroll Cylinder	7
	K3063153	Swivel Elbow 1/8"BSP/6mm	7
	K3063123	Tee Connector 6mm	5
6 Bedroll	K3061911	Bedroll Cylinder	2
	K3063153	Swivel Elbow 1/8"BSP/6mm	2
	K3063123	Tee Connector 6mm	1
7 Top Head Clutch	K3063945	Cylinder	2
	K3063153	Swivel Elbow 1/8"BSP/6mm	4
8 Clutch Control	K3061908	5 Port Valve	2
	K3063947	Valve Actuator	2
	K3063193	Swivel Elbow M5/6mm	6
	K3063123	Tee Connector 6mm	1

PNEUMATIC CIRCUIT



Pneumatic Circuit Chart

Ref: Position	Part No	Description	Quantity
9 Intensifier	K3029750	Mini Booster	1
	K3063154	Swivel Elbow 1/4"BSP/6mm	3
	GA7739	Bracket for Oil Reservoir	1
	K3063292	Bulkhead Connector 1/4"BSP	1
10 Intensifier Valve	K3063636	5 Port Solenoid Valve	1
	K3061635	Silencer 1/4"BSP	1
	K3063154	Swivel Elbow 1/4"BSP/6mm	2
	K0950324	Plug 1/4"BSPT	2
	K3063123	Tee Connector 6mm	1
11 Top Roll Pressure	K3063748	Cylinder	1
	K3063153	Swivel Elbow 1/8"BSP/6mm	1
	K3063262	Straight Connector 1/4"BSP/6mm	1
	K7072025	Pipe Coupling 1/4"BSP	1
	K3061208	Tubing Plug 1/4"BSP	1
	K3061201	Tubing Socket 1/4"BSP	1
	K3064202	Swivel Female Elbow 1/4"BSP/6mm	1
	K3063123	Tee Connector 6mm	1
12 Top Chipbreaker	K3063762	Cylinder	4
	K3063154	Swivel Elbow 1/4"BSP/6mm	4
	K3063123	Tee Connector 6mm	2
13 Top Pad Pressure	FDR4609	Cylinder Block	2
	FDR4610	Piston	2
	K3073343	Seal	2
	K3073344	Seal	2
	K3073345	Seal	2
	K3063153	Swivel Elbow 1/8"BSP/6mm	2
14 Nsh Chipbreaker	K3063720	Cylinder	1
	K3063153	Swivel Elbow 1/8"BSP/6mm	1
15 Skid Pressure	GA16183	Cylinder Block	1
	GA16184	Piston	1
	K3069288	O' ring Seal	1
	K3063153	Swivel Elbow 1/8"BSP/6mm	1



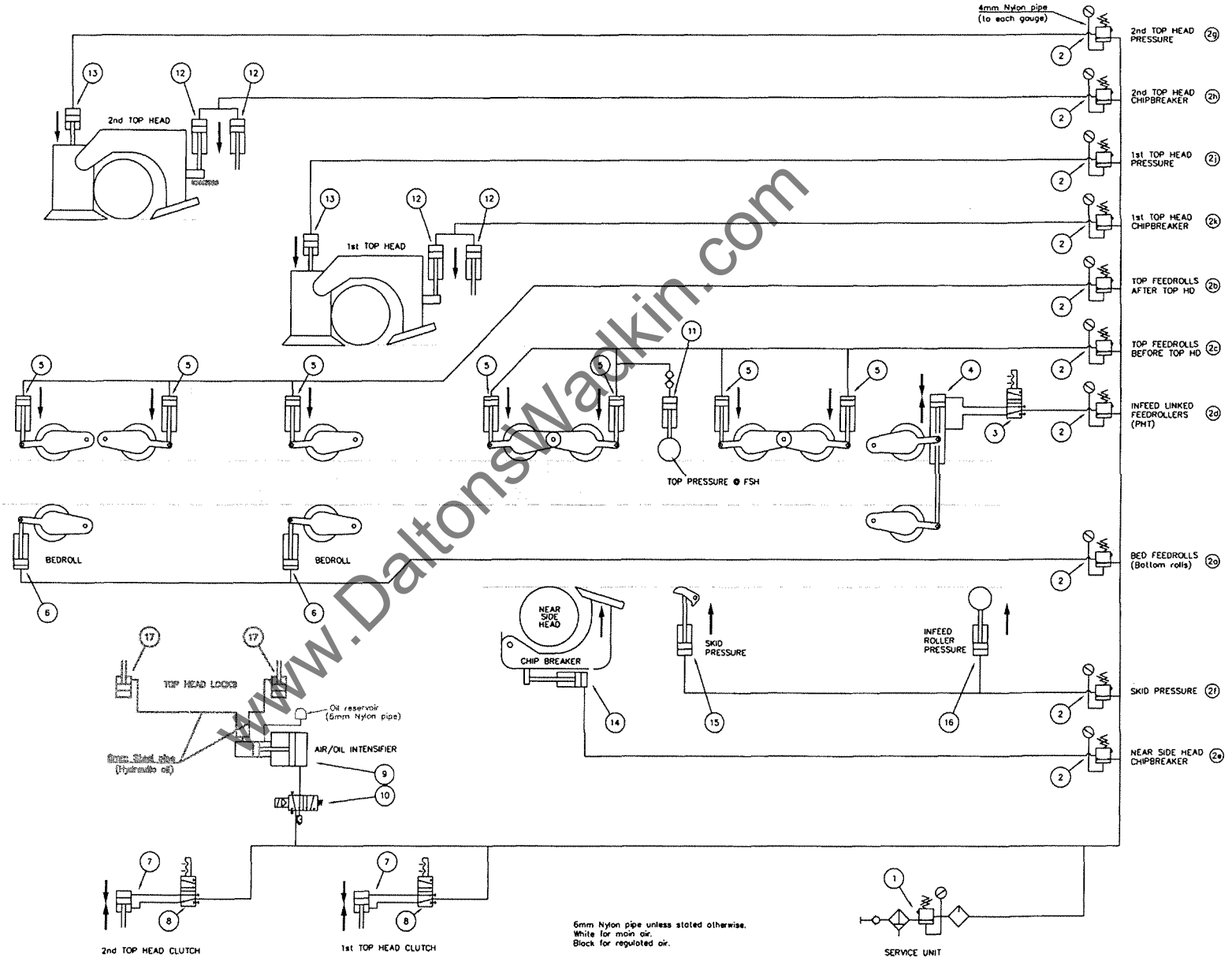
PNEUMATIC CIRCUIT

Pneumatic Circuit Chart

Ref: Position	Part No	Description	Quantity
16 Infeed Side Press	GA16183	Cylinder Block	1
	GA17007	Piston	1
	K3069288	O' ring Seal	1
	K3063153	Swivel Elbow 1/8"BSP/6mm	1
	K3062262	Straight Connector 1/4"BSP/6mm	1
	K7072025	Pipe Coupling 1/4"bsp	1
	K3064202	Swivel Female Elbow 1/4"BSP/6mm	1
17 Top Head Lock	K3063123	Tee Connector 6mm	1
	K0950211	Steel Hydraulic Pipe 6mm	3 Metre
	K3029780	Enerpac Cylinder	2
	K3029820	Elbow 1/8"BSP/6mm	2
	K3029868	Tee Connector 1/8"BSP/6mm	1
	K3063681	Reducer Connector 1/4"BSP/1/8"BSP	1

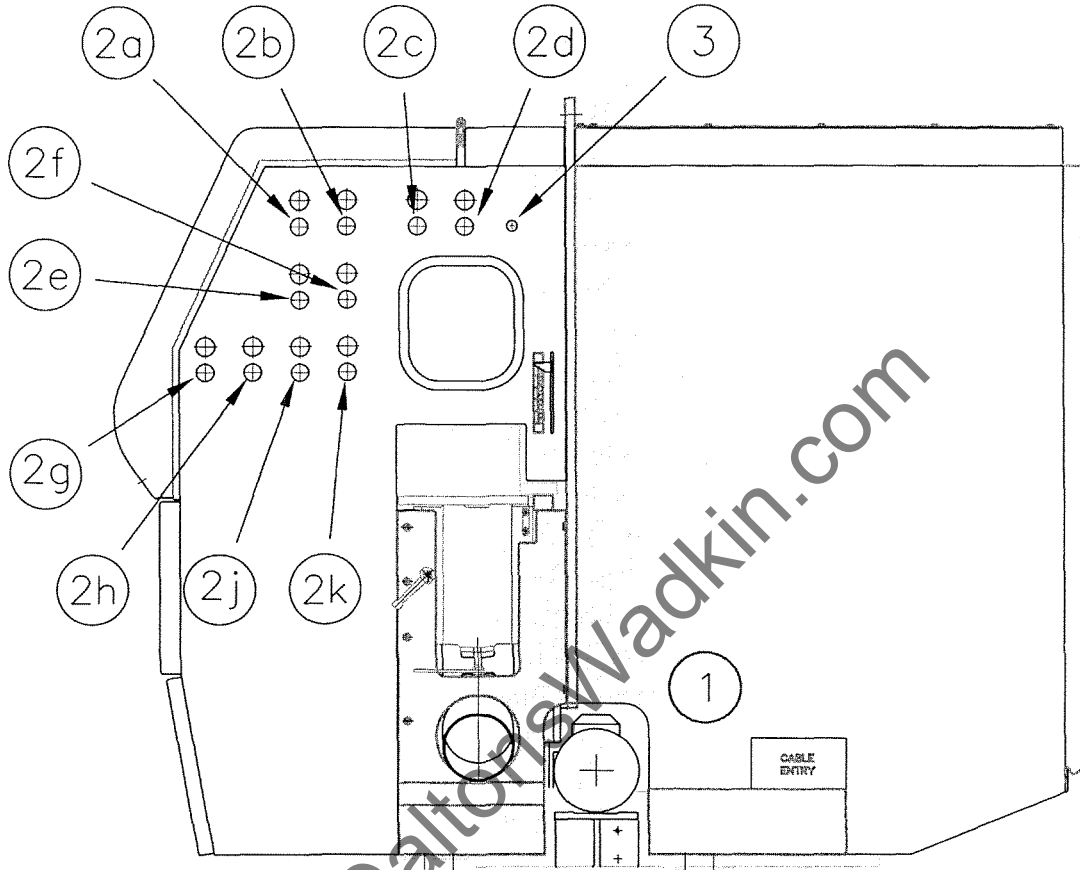
www.DaltonsWadkin.com

PNEUMATIC CIRCUIT



Pneumatic Control Panel

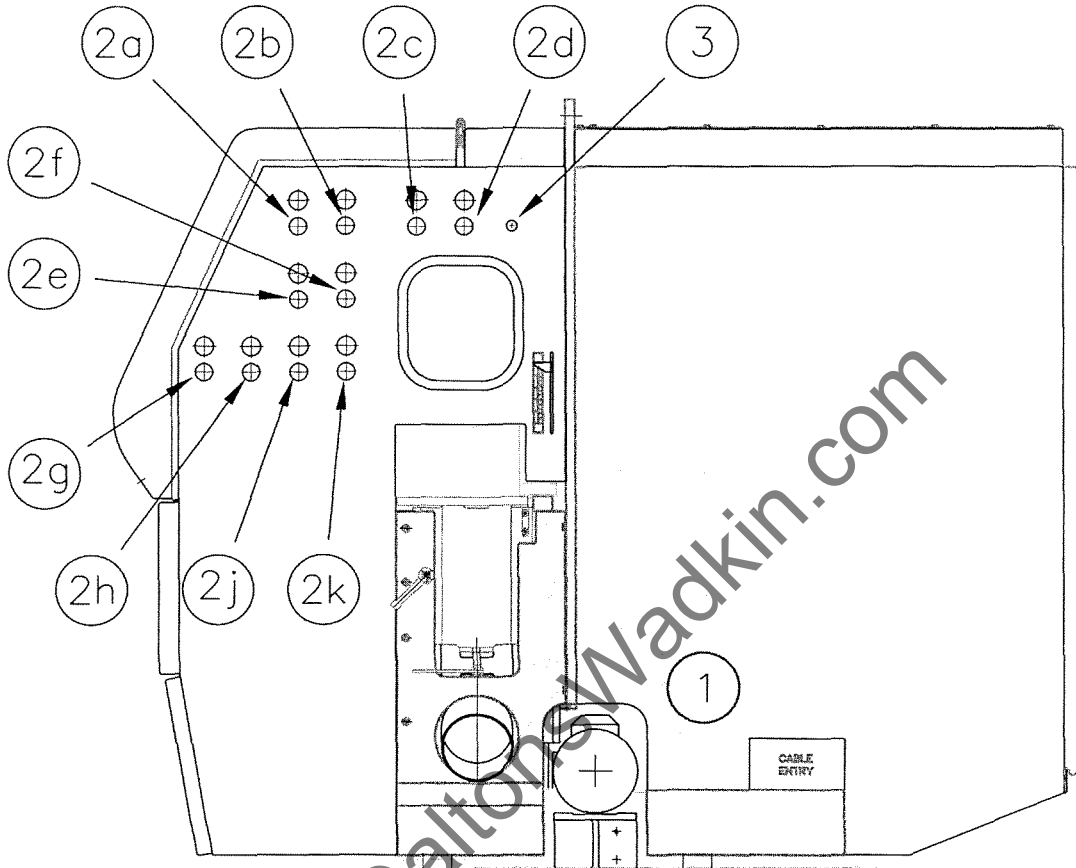
Ref: Position	Part No	Description	Quantity
1 Service Unit	K3063507	Service Unit	1
2a Feed Bedrolls	QAJ426	Legend Plate	1
	K3061257	Pressure Regulator 1/8"BSP	1
	K3063153	Swivel Elbow 1/8"BSP/6mm	2
	K7070715	Swivel Elbow 1/8"BSP/4mm	1
	K3063502	Pressure Guage	1
	K3062701	Elbow Connector 1/8"BSP	1
	K3064191	Swivel Female Elbow 1/8"BSP/4mm	1
2b Top Feedrolls after Top Head	QAJ439	Legend Plate	1
	K3061257	Pressure Regulator 1/8"BSP	1
	K3063153	Swivel Elbow 1/8"BSP/6mm	2
	K7070715	Swivel Elbow 1/8"BSP/4mm	1
	K3063502	Pressure Guage	1
	K3062701	Elbow Connector 1/8"BSP	1
	K3064191	Swivel Female Elbow 1/8"BSP/4mm	1
2c Top Feedrolls before Top Head	QAJ438	Legend Plate	1
	K3061257	Pressure Regulator 1/8"BSP	1
	K3063153	Swivel Elbow 1/8"BSP/6mm	2
	K7070715	Swivel Elbow 1/8"BSP/4mm	1
	K3063502	Pressure Guage	1
	K3062701	Elbow Connector 1/8"BSP	1
	K3064191	Swivel Female Elbow 1/8"BSP/4mm	1
2d Infeed PHT	QAJ445	Legend Plate	1
	K3061257	Pressure Regulator 1/8"BSP	1
	K3063153	Swivel Elbow 1/8"BSP/6mm	2
	K7070715	Swivel Elbow 1/8"BSP/4mm	1
	K3063502	Pressure Guage	1
	K3062701	Elbow Connector 1/8"BSP	1
	K3064191	Swivel Female Elbow 1/8"BSP/4mm	1
2e Nsh Chipbreaker	QAJ431	Legend Plate	1
	K3061257	Pressure Regulator 1/8"BSP	1
	K3063153	Swivel Elbow 1/8"BSP/6mm	2
	K7070715	Swivel Elbow 1/8"BSP/4mm	1
	K3063502	Pressure Guage	1
	K3062701	Elbow Connector 1/8"BSP	1
	K3064191	Swivel Female Elbow 1/8"BSP/4mm	1



PNEUMATIC CONTROL PANEL

Pneumatic Control Panel

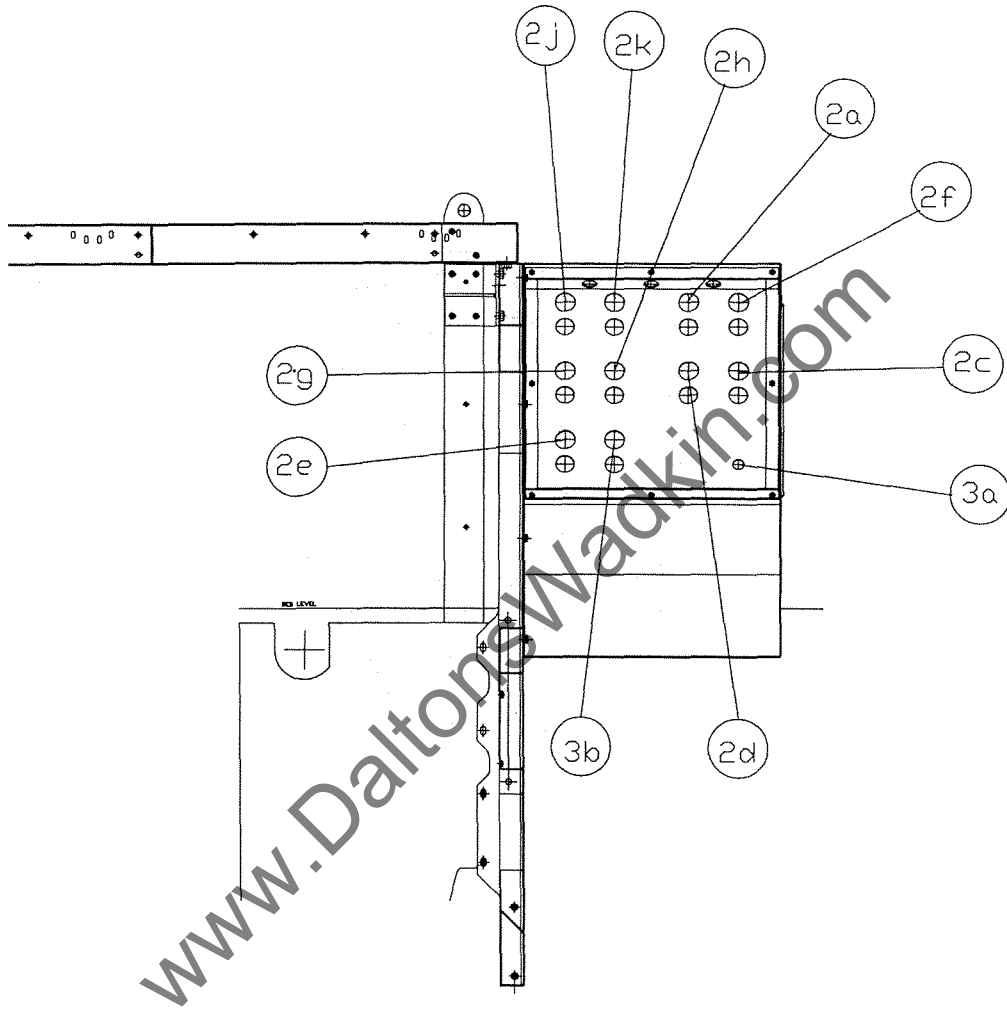
Ref: Position	Part No	Description	Quantity
2f Skid Pressure	QAJ440	Legend Plate	1
	K3061257	Pressure Regulator 1/8"BSP	1
	K3063153	Swivel Elbow 1/8"BSP/6mm	2
	K7070715	Swivel Elbow 1/8"BSP/4mm	1
	K3063502	Pressure Guage	1
	K3062701	Elbow Connector 1/8"BSP	1
	K3064191	Swivel Female Elbow 1/8"BSP/4mm	1
2g 2nd Top Head Pressure	QAJ506	Legend Plate	1
	K3061257	Pressure Regulator 1/8"BSP	1
	K3063153	Swivel Elbow 1/8"BSP/6mm	2
	K7070715	Swivel Elbow 1/8"BSP/4mm	1
	K3063502	Pressure Guage	1
	K3062701	Elbow Connector 1/8"BSP	1
	K3064191	Swivel Female Elbow 1/8"BSP/4mm	1
2h 2nd Top Head Chipbreaker	QAJ510	Legend Plate	1
	K3061257	Pressure Regulator 1/8"BSP	1
	K3063153	Swivel Elbow 1/8"BSP/6mm	2
	K7070715	Swivel Elbow 1/8"BSP/4mm	1
	K3063502	Pressure Guage	1
	K3062701	Elbow Connector 1/8"BSP	1
	K3064191	Swivel Female Elbow 1/8"BSP/4mm	1
2j 1st Top Head Pressure	QAJ505	Legend Plate	1
	K3061257	Pressure Regulator 1/8"BSP	1
	K3063153	Swivel Elbow 1/8"BSP/6mm	2
	K7070715	Swivel Elbow 1/8"BSP/4mm	1
	K3063502	Pressure Guage	1
	K3062701	Elbow Connector 1/8"BSP	1
	K3064191	Swivel Female Elbow 1/8"BSP/4mm	1
2k 1st Top Head Chipbreaker	QAJ509	Legend Plate	1
	K3061257	Pressure Regulator 1/8"BSP	1
	K3063153	Swivel Elbow 1/8"BSP/6mm	2
	K7070715	Swivel Elbow 1/8"BSP/4mm	1
	K3063502	Pressure Guage	1
	K3062701	Elbow Connector 1/8"BSP	1
	K3064191	Swivel Female Elbow 1/8"BSP/4mm	1
3 Infeed PHT Control	QAJ445	Legend Plate	1
	K3061908	5 Port Valve	1
	K3063947	Valve Actuator	1
	K3063193	Swivel Elbow M5/6mm	3



PNEUMATIC CONTROL PANEL

Pneumatic Control Panel

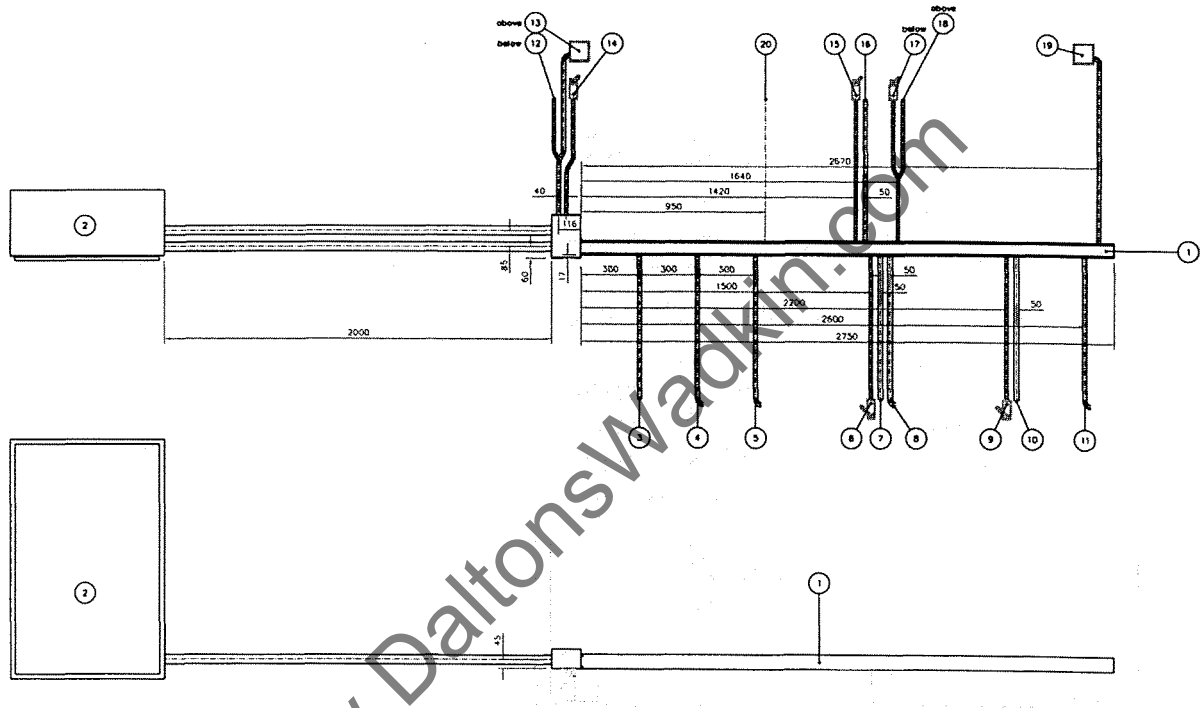
Ref: Position	Part No	Description	Quantity
3a Push Feed Roll Raise and Lower	K3061908	5 Port Valve	1
	K3063947	Valve Actuator	1
	K3063193	Swivel Elbow M5/6mm	3
3b Push Feed Rolls	QAJ425	Legend Plate	1
	K3061257	Pressure Regulator 1/8"BSP	1
	K3063153	Swivel Elbow 1/8"BSP/6mm	2
	K7070715	Swivel Elbow 1/8"BSP/4mm	1
	K3063502	Pressure Guage	1
	K3062701	Elbow Connector 1/8"BSP	1
	K3064191	Swivel Female Elbow 1/8"BSP/4mm	1



PUSHFEED PNEUMATIC CONTROL PANEL

Electrical System Chart

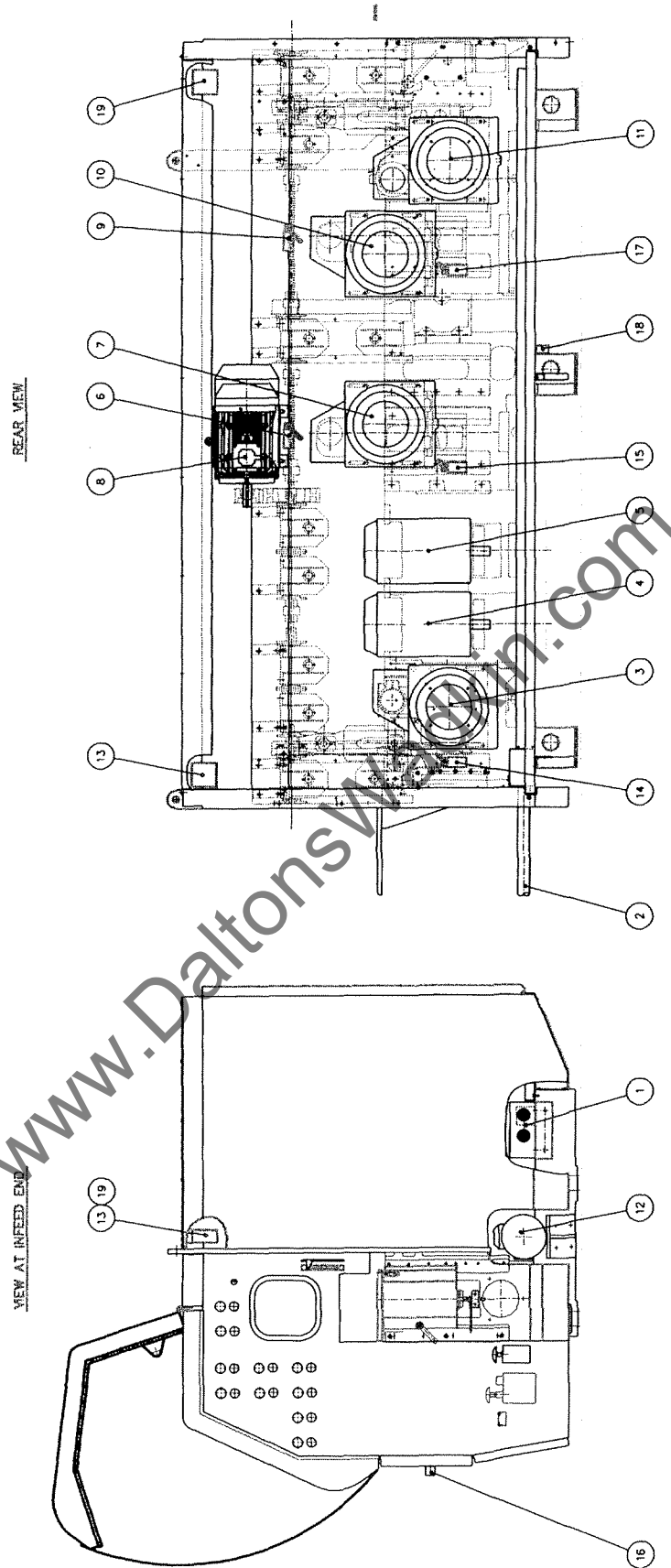
Ref: Position	Part No.CE	Part No.CSA	Description	Quantity	
1 Main Trunking	K7030664	K7030664	Trunking	2.75M x 1	
	K7030664CV	K7030664CV	Cover	2.75M x 1	
	K7030650	K7030650	Endcap NL3198	1	
	K1210318	K1210318	Flanges NL3143 (pair)	1	
	K1215529	K1215529	9 x 6 x 4 Box	1	
	K0525164	K0525164	Hex.Socket Caphead Screw M6 x 12 long	4	
	K0527101	K0527101	Hexagon Nut M6	4	
	K0528102	K0528102	Washer 6mm	10	
	K3073898	K3073898	Hex.Socket Domehead Screw M6 x 12 long	6	
	K3072846	K3072846	Brass Panhead Screw M6 x 12 long	2	
	K0527292	K0527292	Brass Hexagon Nut M6	2	
	K0528192	K0528192	Brass Washer 6mm	4	
	2 Control Cabinet	XD2CE1CB	XDUSA2CB	Cabinet Complete	1
		K1210441	K1210431	50mm Flexible Conduit	2.00M x 2
K1210449		K1210141	Straight Conduit Connector	4	
(not requ'd)		K1215507	2" Steel Hexagon Locknut	8	
3 1st Btm.Motor	K2105106	K2105207	Motor	1	
	K1210437	K1210427	20mm Flexible Conduit	1.00M x 1	
	K1210445	K1210137	Straight Conduit Connector	2	
	(not requ'd)	K1215503	Steel Hexagon Locknut M20	2	
	(not requ'd)	K1215508	Lockring M20	1	
			CABLE LENGTH (ref)	5.50M	
4 FSH Motor	K2103105	K2103206	Motor	1	
	K1210437	K1210427	20mm Flexible Conduit	1.30M x 1	
	K1210445	K1210137	Straight Conduit Connector	1	
	K1210467	K1215340	Elbow Conduit Connector	1	
	(not requ'd)	K1215503	Steel Hexagon Locknut M20	2	
	(not requ'd)	K1215508	Lockring M20	1	
			CABLE LENGTH (ref)	6.00M	
			Motor	1	
5 NSH Motor	K1210437	K1210427	20mm Flexible Conduit	1.30M x 1	
	K1210445	K1210137	Straight Conduit Connector	1	
	K1210467	K1215340	Elbow Conduit Connector	1	
	(not requ'd)	K1215503	Steel Hexagon Locknut M20	2	
	(not requ'd)	K1215508	Lockring M20	1	
			CABLE LENGTH (ref)	6.50m	
			Motor	1	
			20mm Flexible Conduit	1.30M x 1	



ELECTRICAL SYSTEM SCHEMATIC

Electrical System Chart

Ref: Position	Part No.CE	Part No.CSA	Description	Quantity
6 1st Top Limit	K1206313	K1206313	Limit Switch lever	1
	K1206314	K1206314	Limit Switch Body	1
	K1206315	K1206315	Limit Switch Head	1
	K1210436	K1210426	16mm Flexible Conduit	2.50M x 1
	K1210444	K1210136	Straight Conduit Connector 16/20	2
	(not requ'd)	K1215503	Steel Hexagon Locknut M20	2
		CABLE LENGTH (ref)	8.00m	
7 1st Top Motor	K2105109	K2105210	Motor	1
	K1210438	K1210428	25mm Flexible Conduit	1.30M x 1
	K1210446	K1210138	Straight Conduit Connector	2
	(not requ'd)	K1215504	Steel Hexagon Locknut M25	2
	(not requ'd)	K1215509	Lockring M25	1
			CABLE LENGTH (ref)	7.00M
8 Feed Motor	K1304603B	K1304603H	Motor	1
	K1210438	K1210428	25mm Flexible Conduit	1.90M x 1
	K1210446	K1210138	Straight Conduit Connector	1
	K1210468	K1215339	Elbow Conduit Connector	1
	(not requ'd)	K1215504	Steel Hexagon Locknut M25	2
	(not requ'd)	K1215509	Lockring M25	1
		SCREENED CABLE (ref)	8.50M	
9 2nd Top Limit	K1206313	K1206313	Limit Switch lever	1
	K1206314	K1206314	Limit Switch Body	1
	K1206315	K1206315	Limit Switch Head	1
	K1210436	K1210426	16mm Flexible Conduit	2.50M x 1
	K1210444	K1210136	Straight Conduit Connector 16/20	2
	(not requ'd)	K1215503	Steel Hexagon Locknut M20	2
		CABLE LENGTH (ref)	8.50M	
10 2nd Top Motor	K2105109	K2105210	Motor	1
	K1210438	K1210428	25mm Flexible Conduit	1.30M x 1
	K1210446	K1210138	Straight Conduit Connector	2
	(not requ'd)	K1215504	Steel Hexagon Locknut M25	2
	(not requ'd)	K1215509	Lockring M25	1
			CABLE LENGTH (ref)	7.50M



ELECTRICAL SYSTEM SCHEMATIC

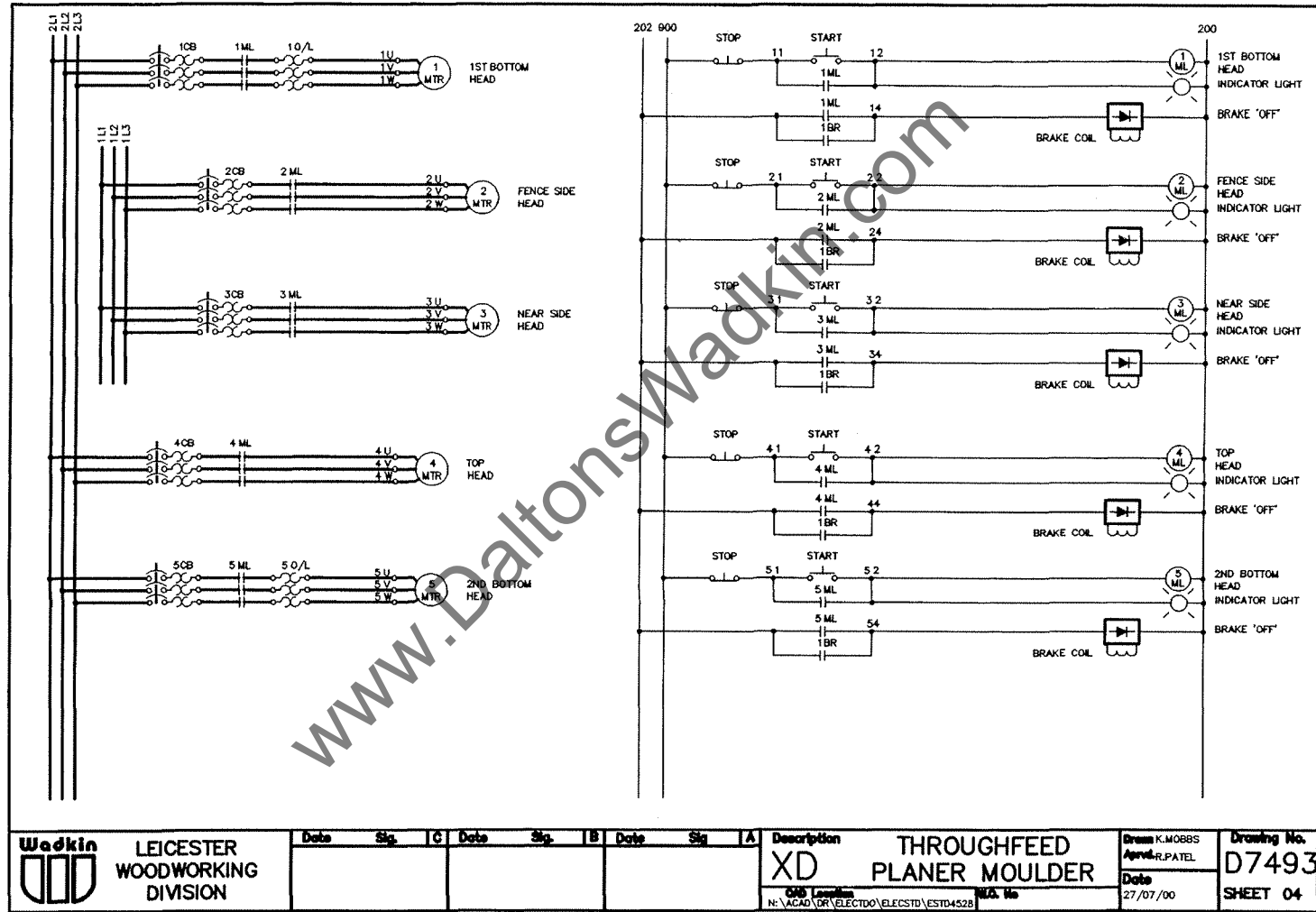
Electrical System Chart

Ref: Position	Part No.CE	Part No.CSA	Description	Quantity
11 2nd Btm.Motor	K2105107	K2105208	Motor	1
	K1210437	K1210427	20mm Flexible Conduit	1.00M x 1
	K1210445	K1210137	Straight Conduit Connector	1
	K1210467	K1215340	Elbow Conduit Connector	1
	(not requ'd)	K1215503	Steel Hexagon Locknut M20	2
	(not requ'd)	K1215508	Lockring M20	1
			CABLE LENGTH (ref)	7.50M
12 Beam R&F Motor	K1304611	K1304612A	Motor	1
	K1210436	K1210426	16mm Flexible Conduit	0.55M x 1
	K1210444	K1210136	Straight Conduit Connector 16/20	2
	(not requ'd)	K1215503	Steel Hexagon Locknut M20	2
			CABLE LENGTH (ref)	4.50M
13 Infeed Junction Box	K1215524	K1215524	Junction Box 4 x 4 x 2	1
	K1216196	K1216196	Compression Gland 13mm	3
	K1203387	K1203387	6 Way Connection Block	0.5
	K1210437	K1210427	20mm Flexible Conduit	1.70M x 1
	K1210445	K1210137	Straight Conduit Connector	1
	K1210467	K1215340	Elbow Conduit Connector	1
	(not requ'd)	K1215503	Steel Hexagon Locknut M20	2
	(not requ'd)	K1215508	Lockring M20	1
		CABLE LENGTH (ref)	5.50M	
14 Beam Slide Limit	K1206312	K1206312	Limit Switch Lever	1
	K1206321	K1206321	Limit Switch Body	1
	K1210436	K1210426	16mm Flexible Conduit	0.65M x 1
	K1210444	K1210136	Straight Conduit Connector 16/20	2
	(not requ'd)	K1215503	Steel Hexagon Locknut M20	2
			CABLE LENGTH (ref)	4.50M
15 1st Top Slide Limit	K1206312	K1206312	Limit Switch Lever	1
	K1206321	K1206321	Limit Switch Body	1
	K1210436	K1210426	16mm Flexible Conduit	0.65M x 1
	K1210444	K1210136	Straight Conduit Connector 16/20	2
	(not requ'd)	K1215503	Steel Hexagon Locknut M20	2
		CABLE LENGTH (ref)	6.50M	
16 Push Buttons	K1201693222	K120169322	Push Button Box 5Way	1
	K1210437	K1210427	20mm Flexible Conduit	1.70M x 1
	K1210445	K1210137	Straight Conduit Connector	2
	(not requ'd)	K1215503	Steel Hexagon Locknut M20	4

Electrical System Chart

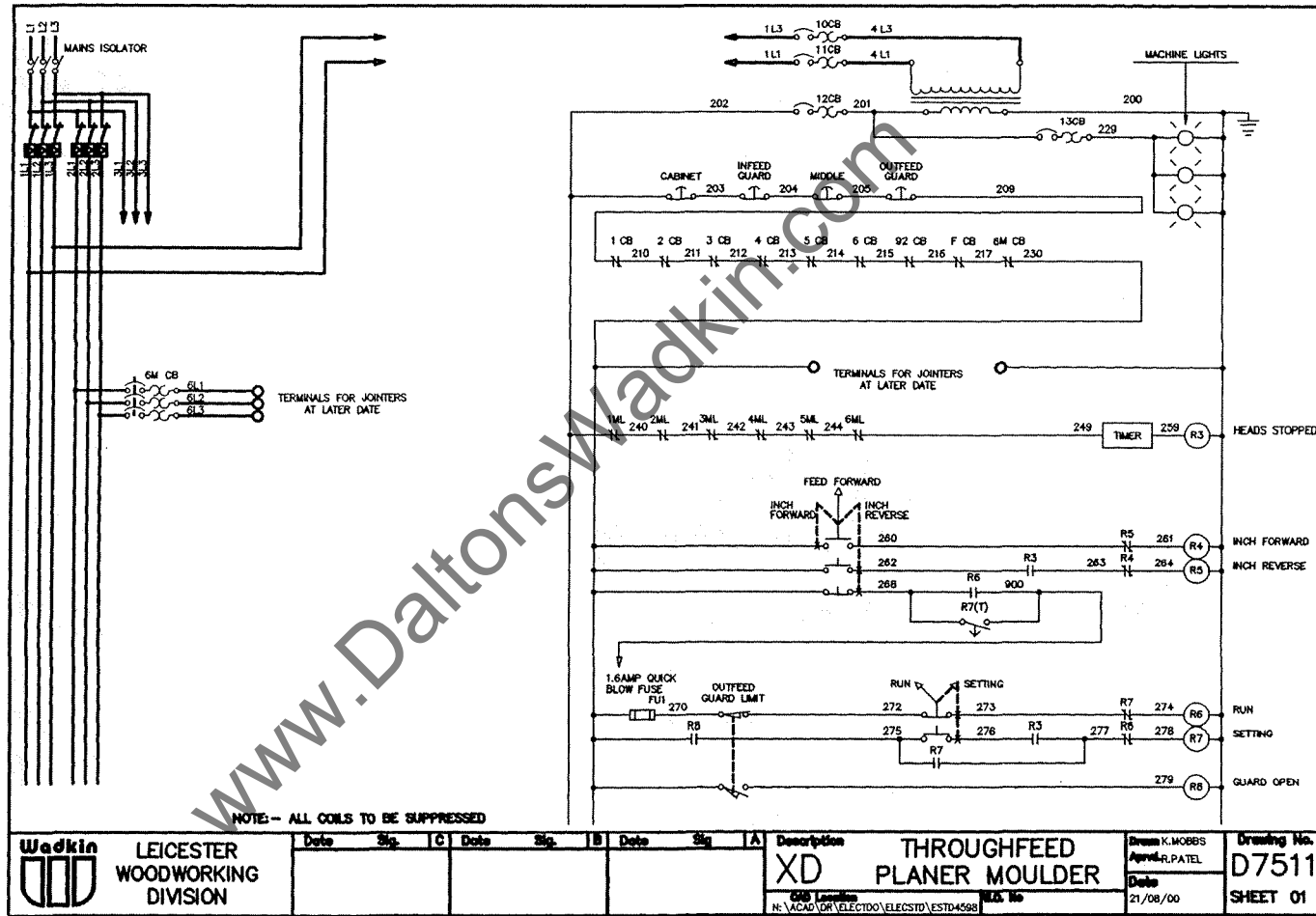
Ref: Position	Part No.CE	Part No.CSA	Description	Quantity
17 2nd Top Slide Limit	K1206312	K1206312	Limit Switch Lever	1
	K1206321	K1206321	Limit Switch Body	1
	K1210436	K1210426	16mm Flexible Conduit	1.10M x 1
	K1210444	K1210136	Straight Conduit Connector 16/20	2
	(not requ'd)	K1215503	Steel Hexagon Locknut M20	2
			CABLE LENGTH (ref)	6.50M
18 Top Hd.Hydrolocks	K3063636	K3061749	Solenoid Valve (Festo)	1
	K1210436	K1210426	16mm Flexible Conduit	0.70M x 1
	K1210443	K1210135	Straight Conduit Connector 16/16	1
	K1210444	K1210136	Straight Conduit Connector 16/20	1
	(not requ'd)	K1215503	Steel Hexagon Locknut M20	2
			CABLE LENGTH (ref)	6.50M
19 Outfeed Junction Box	K1215524	K1215524	Junction Box 4 x 4 x 2	1
	K1216196	K1216196	Compression Gland 13mm	4
	K1203387	K1203387	10 Way Connection Block	1
	K1210437	K1210427	20mm Flexible Conduit	1.80M x 1
	K1210445	K1210137	Straight Conduit Connector	1
	K1210467	K1215340	Elbow Conduit Connector	1
	(not requ'd)	K1215503	Steel Hexagon Locknut M20	2
	(not requ'd)	K1215508	Lockring M20	1
			CABLE LENGTH (ref)	8.50M x 1
20 (For Auto Jointer)				

HT5 ELECTRICAL DIAGRAM 60HZ

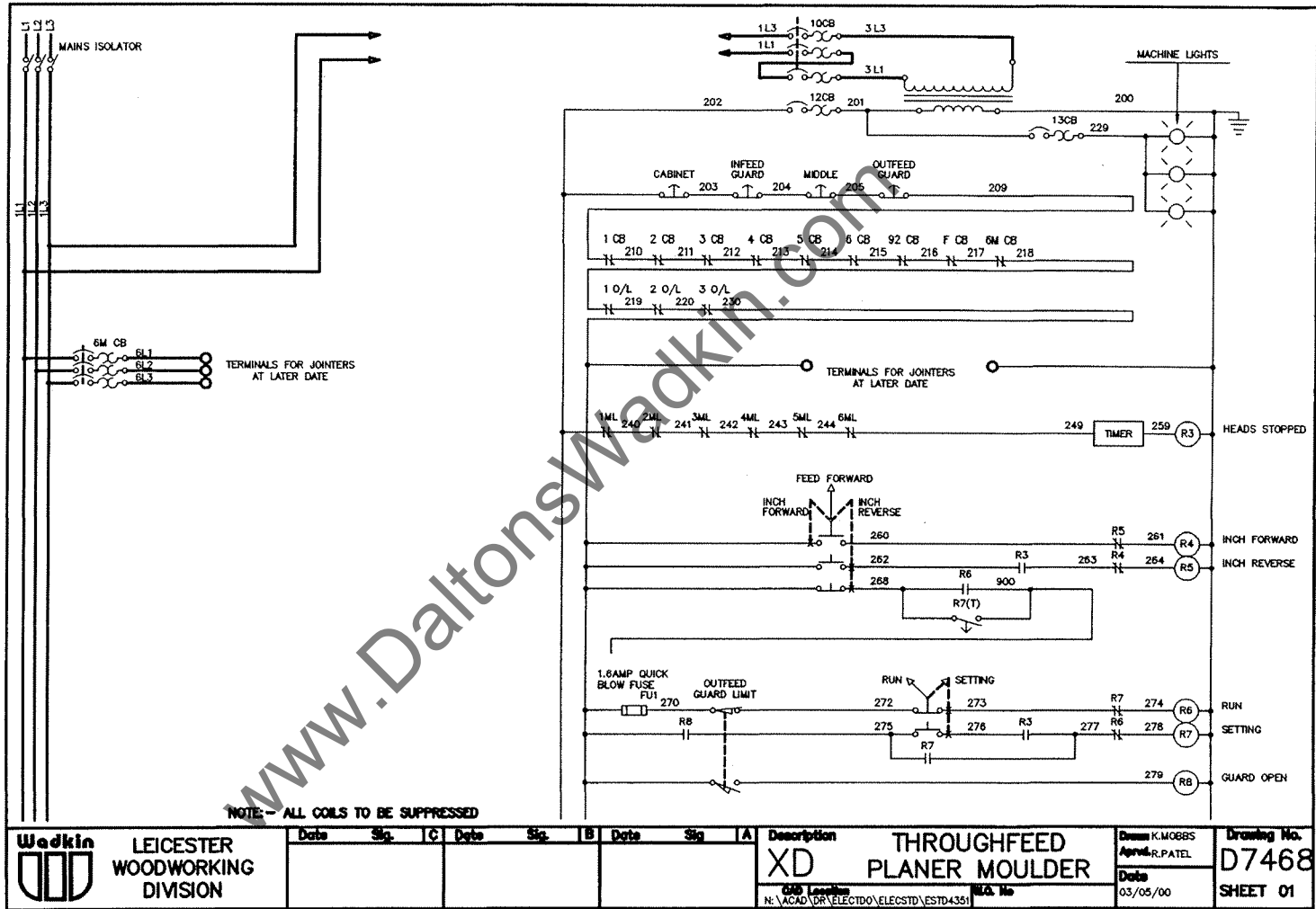


ULTRACARE
At the Cutting Edge of Industry

HT6 ELECTRICAL DIAGRAM 50HZ



HT6 ELECTRICAL DIAGRAM 60HZ



SPARES 0116 2744 500

SERVICE 0116 2744 544

TOOLING 0116 2744 555

218



ULTRACAPRE
At the Cutting Edge of Industry

Motor and Drive Belt Data	50hz
----------------------------------	-------------

Position	Motor	Motor Pulley	Taperlock Bush	Spindle Pulley	Belt	Spindle Speed r.p.m.
1st Btm. part no.	D132.11kw Flange Mtd. K2105106	GA20941	No.2517 38mm bore K3077194	GA8674	940 x 55mm GG20E-20 K3005564	6000
Fsh part no.	D132.11kw Foot Mtd. K2103105	GA20941	No.2517 38mm bore K3077194	GA20940	1200 x 30mm GG20E-20 K3005566	6000
Nsh part no.	D132.11kw Foot Mtd. K2103105	GA20941	No.2517 38mm bore K3077194	GA20940	1700 x 30mm GG20E-20 K3005565	6000
1st Top part no.	D160.18kw Flange Mtd. K2105109	GA20941	No.2517 42mm bore K3077101	GA8674	940 x 55mm GG20E-20 K3005564	6000
2nd Top part no.	D160.18kw Flange Mtd. K2105109	GA20941	No.2517 42mm bore K3077101	GA8674	940 x 55mm GG20E-20 K3005564	6000
2nd Btm. part no.	D132.15kw Flange Mtd. K2105107	GA20941	No.2517 38mm bore K3077194	GA8674	940 x 55mm GG20E-20 K3005564	6000

Motor and Drive Belt Data	60hz
----------------------------------	-------------

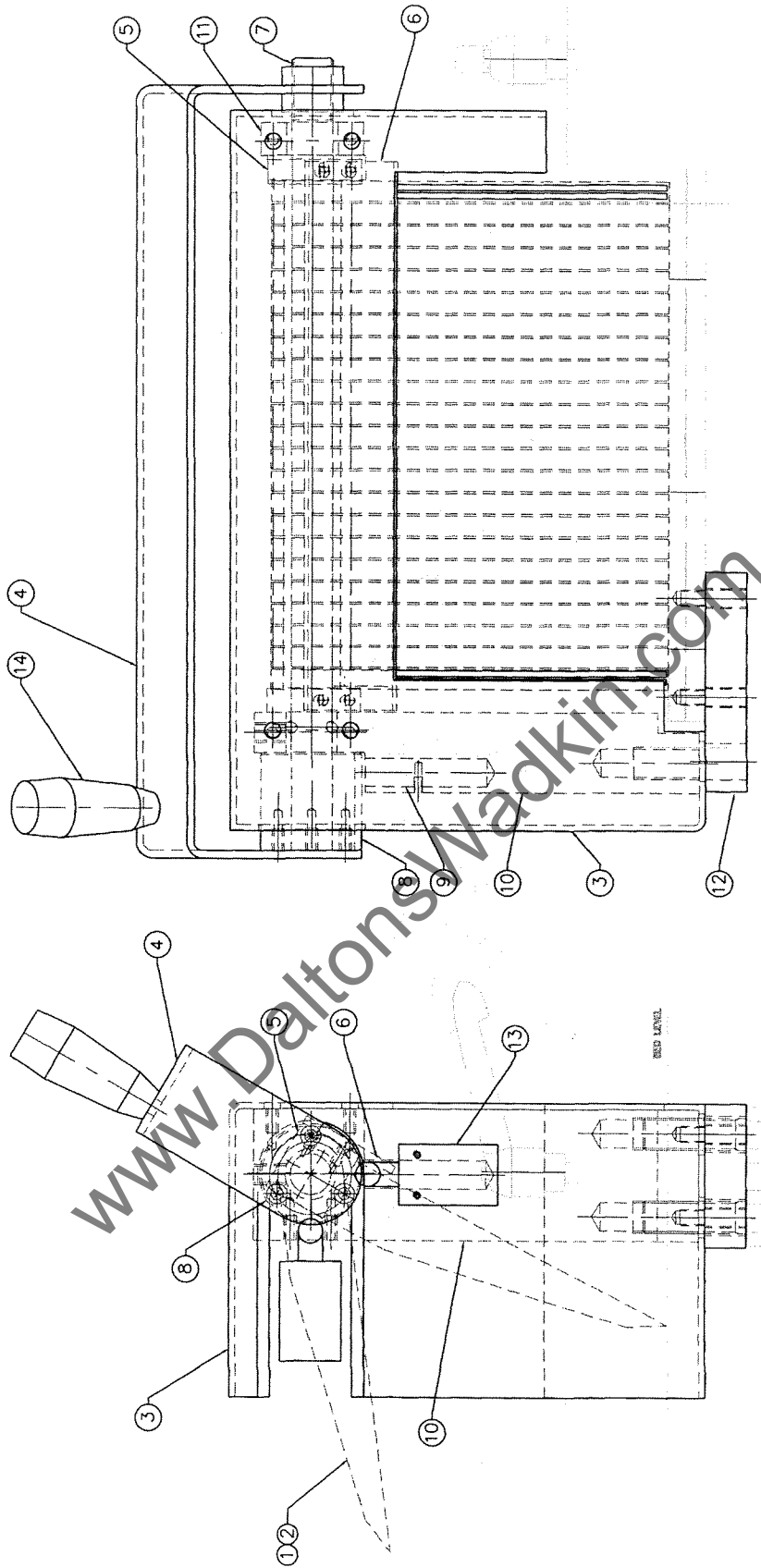
Position	Motor	Motor Pulley	Taperlock Bush	Spindle Pulley	Belt	Spindle Speed r.p.m.
1st Btm. part no.	D132.11kw Flange Mtd. K2105207	GA20942	No.2517 38mm bore K3077194	GA8674	880 x 55mm GG20E-20 K3005567	6000
Fsh part no.	D132.11kw Foot Mtd. K2103206	GA20942	No.2517 38mm bore K3077194	GA20940	1145 x 30mm GG20E-20 K3005569	6000
Nsh part no.	D132.11kw Foot Mtd. K2103206	GA20942	No.2517 38mm bore K3077194	GA20940	1650 x 30mm GG20E-20 K3005568	6000
1st Top part no.	D160.18kw Flange Mtd. K2105210	GA20942	No.2517 42mm bore K3077101	GA8674	880 x 55mm GG20E-20 K3005567	6000
2nd Top part no.	D160.18kw Flange Mtd. K2105210	GA20942	No.2517 42mm bore K3077101	GA8674	880 x 55mm GG20E-20 K3005567	6000
2nd Btm. part no.	D132.15kw Flange Mtd. K2105208	GA20942	No.2517 38mm bore K3077194	GA8674	880 x 55mm GG20E-20 K3005567	6000

SECTION 13 : OPTIONAL EQUIPMENT

www.DaltonsWadkin.com

Anti-Kickback Finger Unit

Ref.No	Part No	Description	Quantity
1	GA19115	Anti-Kickback Finger	22
	K0531498	Oilite Bush 20 x 28 x 10 long	22
2	K0610252	Thrust Washer	21
	K0610320	Thrust Washer 2.75	2
3	GA16880	Cover for Anti-Kickback Unit	1
	K0525502	Hexagon Head Screw M6 x 16 long	4
	K0528102	Washer 6mm	4
4	GA16885	Handle Stirrup for Anti-Kickback Unit	1
	K0525502	Hexagon Head Screw M6 x 16 long	3
	K0528102	Washer 6mm	3
5	GA16715	Block for Finger Lift	2
	K0526112	Hexagon Socket Screw M6 x 6 long	2
	K0520505	Taper Pin	2
6	GA16884	Lifting Plate for Anti-Kickback Fingers	1
	K0525143	Hex.Socket Caphead Screw M5 x 12 long	4
7	GA16883	Shaft for Anti-Kickback Fingers	1
	K0527113	Hexagon Locknut M20	2
8	GA16712	Cam for Anti-Kickback Unit	1
	K0520507	Taper Pin	1
9	GA16726	Plunger for Anti-Kickback Unit	1
	K0524102	Spring	1
10	GA16881	Mounting Block for Anti-Kickback Unit	1
	K0531564	Oilite Bush 20 x 25 x 20 long	1
11	GA16717	Block for Anti-Kickback Shaft	1
	K0531540	Oilite Bush 20 x 25 x 15 long	1
12	GA16882	Block for Bedplate to Mount Anti-Kickback Unit	1
	K0525530	Hexagon Head Screw M10 x 25 long	4
	K0528104	Washer 10mm	4
	K0525559	Hexagon Head Screw M16 x 40 long	2
	K0528106	Washer 16mm	2
13	K1206208	Limit Switch	2
14	K5127214	Revoluble Handle M8	1
	K0527148	Self Locking Hexagon Nut M8	1



ANTI-KICKBACK FINGER UNIT

